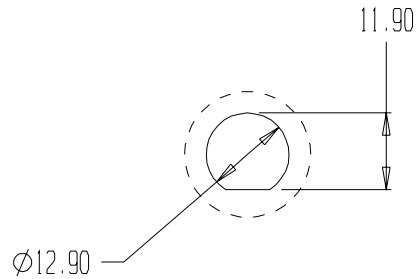
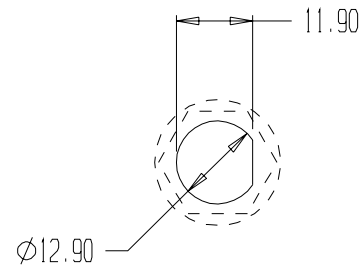


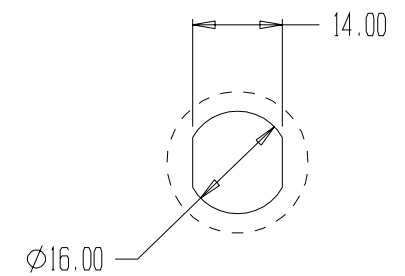
22BNC-ML2



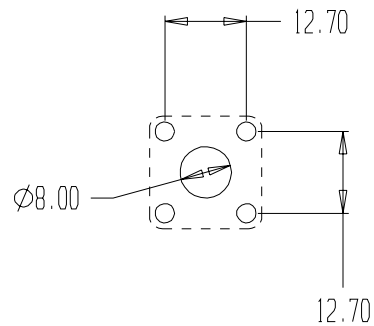
24BNC-ML4



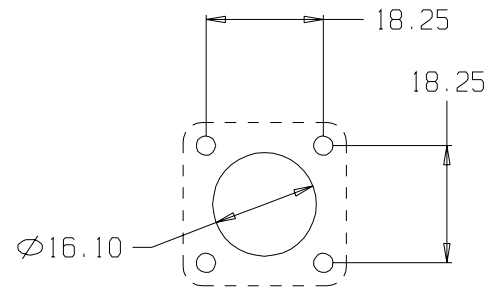
24BNC-ML4-90



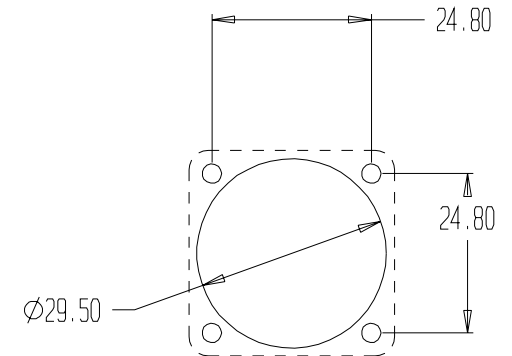
24N-ML12



23BNC-ML8



23N-ML14



23-716-ML27

NOTE - The "PATTERNS" (without dimensions) are stored under the BOLD File names above.

For individual DIMENSIONED "PARTS" use the file names in ITALICS.

Part/File References *xyxR.ptn* = REAR Fixing
 Part/File Name references *xyzF.ptn* = FRONT Fixing.

JOB No.

23??

	CUSTOMER : <i>CASA Modular Systems</i>		SIZE	DRAWING Reference No.	ISSUE
	DESCRIPTION : <i>CONNECTOR Patterns - COAX</i>		A4	CONN-COX	A
P.O. BOX 38-828, WELLINGTON, NEW ZEALAND TELEPHONE : (64-4) 9393 777 FACSIMILE : (64-4) 9393 778	DRAWN : <i>A.W.D</i>	DATE : <i>08/02/06</i>	APPROVED : <i>?</i>	DWG. SCALE : <i>1:1</i>	© COPYRIGHT : CASA Modular Systems ALL RIGHTS RESERVED