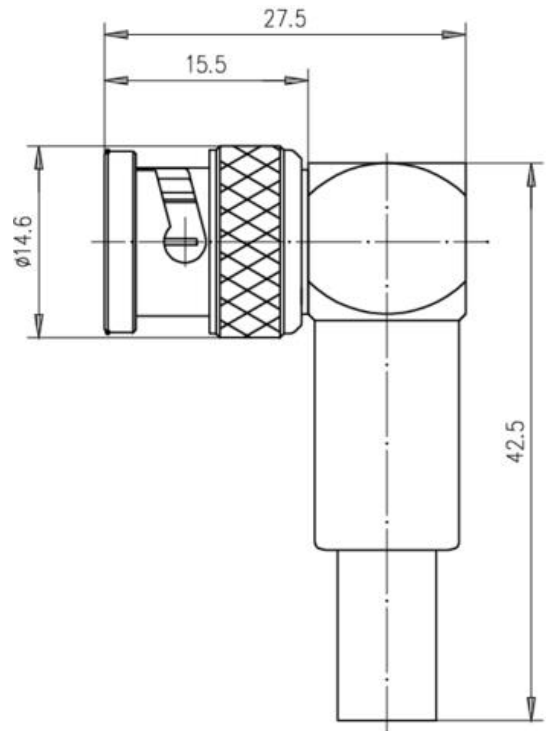


order number: J01000A0024

BNC Angle Plug Crimp G1 (RG-58C/U) crimp/crimp



| Technical Attributes | |
|----------------------|--|
| Z | 50 Ω |
| Cable group; cable | G1 (RG-58C/U) HPF 195 WCX195 RG-58C/U 9907 7806A LMR-195 KX 15 CNT-195 |
| Remarks | crimp/crimp |
| Assembly | A0605 |
| Crimp die | N01001A0005 |

Product description

The BNC series is the most commonly used coax connector. With the bayonet coupling this connector can be used up to 4 GHz. Both 50 and 75 Ω impedances are available. Connector styles are available for flexible, conformable and semi-rigid cable types. Versions of the BNC connector are available for mounting to printed circuit boards using both through-hole soldered and thru-hole press-fit techniques. Both crimp and clamp cable termination processes are used for this series. Applications for BNC connectors vary from signal, data and video transmission.

Mating face sealing for BNC connectors between plug and jack (mated) according to IP 54. The classifications are general statements for the relevant series. Individual connectors may deviate from the values shown. If in doubt, please consult our engineers.

| Mechanical Characteristics | |
|-----------------------------|-------------------------|
| Durability (mating cycles) | ≥ 500 |
| Material: spring contacts | CuBe2; CuPb1.15Ni1(C97) |
| Material: outer conductor | CuZn39Pb3 |
| Material: other metal parts | CuZn39Pb3 |
| Material: insulators | PTFE; PE |
| Material: gaskets | Silicone |
| Finish: Inner conductor | Cu1Ni2Au0.8 |
| Finish: Outer conductor | Cu2Ni5 |
| Finish: Other metal parts | Cu2Ni5 |

| Climatic Characteristics | |
|---|-----------|
| Climatic category acc. to IEC 60068 - 1 | 40/155/21 |
| Types with PTFE insulator | 40/155/21 |
| Types with PE insulator | 40/75/21 |

| Electrical Characteristics | |
|------------------------------------|---------------------------|
| Contact resistance inner conductor | $\leq 20 \text{ m}\Omega$ |
| Contact resistance outer conductor | $\leq 5 \text{ m}\Omega$ |
| Insulation resistance | $\geq 5 \text{ G}\Omega$ |
| Voltage proof | 1.5 kVeff/50 Hz |
| | |

| | |
|-----------------------------|--|
| Impedance | 50 Ω /(75 Ω) |
| Return loss: Straight style | ≥ 20 dB/3 GHz (50 Ω types) |
| Return loss: Angle style | ≥ 17.7 dB/3 GHz (50 Ω types) |
| Working voltage | ≤ 500 V _{eff} /50 Hz |
| Frequency range up to | 4 GHz |

| | |
|--------------|--|
| Standards | |
| IEC 61 169-8 | |

Note

Combination connectors and cable clamps can be utilised to create a further number of BNC connector variations.