

> cable entry clamp

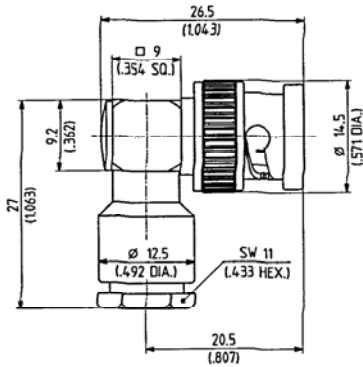


Fig. 1

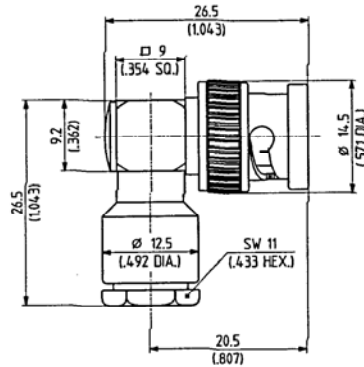
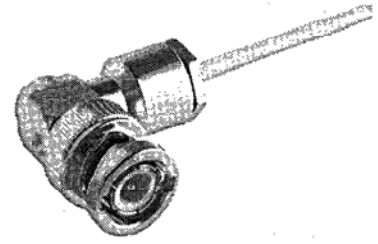


Fig. 2



SUHNER TYPE	Ident. no.	Cable group (example)	Assembly instruction	Weight	Fig.	Notes
16 BNC-50-2-2	• 540166	U2 (RG 316/U)	3024	26.5 g/.928 oz.	1	
16 BNC-50-3-6	• 540189	U7,10 (RG58C/U)	3024	25.0 g/.875 oz.	2	

> cable entry clamp

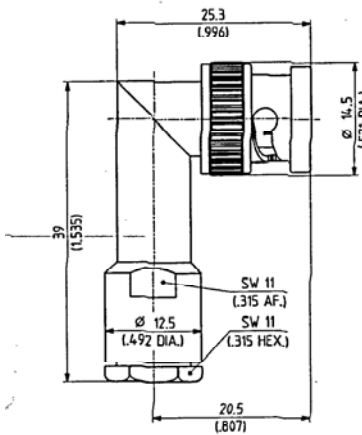


Fig. 1

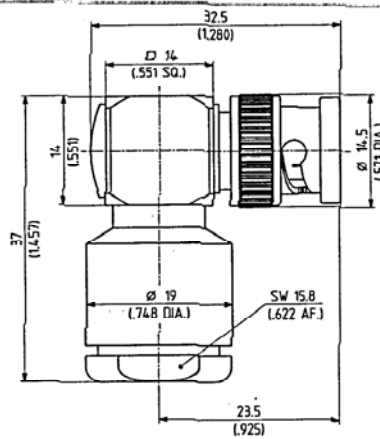
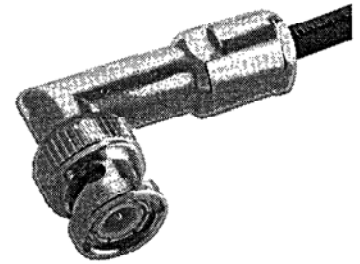


Fig. 2



SUHNER TYPE	Ident. no.	Cable group (example)	MIL M 39012/	Assembly instruction	Weight	Fig.	Notes
16 BNC-50-3-9	• 540195	U7,10 (RG58C/U)	20-0101	3005	32.5 g/1.14 oz.	1	replaces UG913/U
16 BNC-50-7-6	• 651588	U28 (RG 213/U)		3003	52.1 g/1.82 oz.	2	

• centre contact captivated