

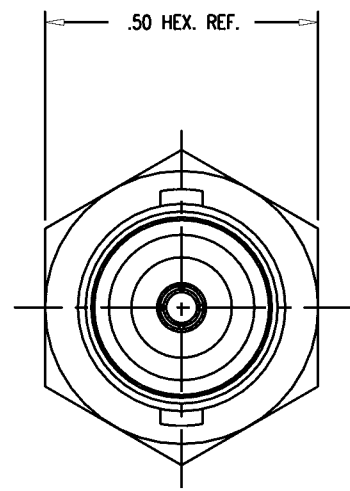
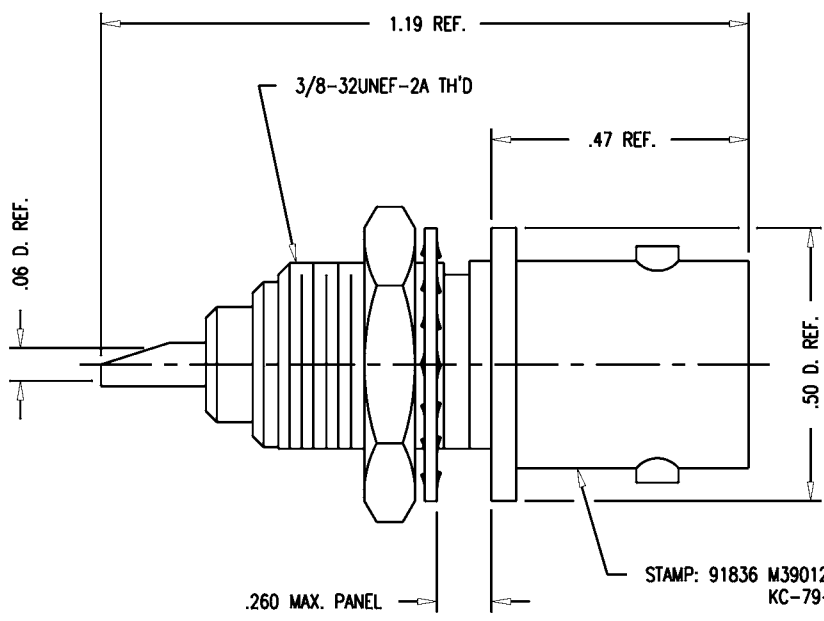
DASH NO.	M CODE	MADE FROM
----------	--------	-----------

GSD

M39012/21-0002

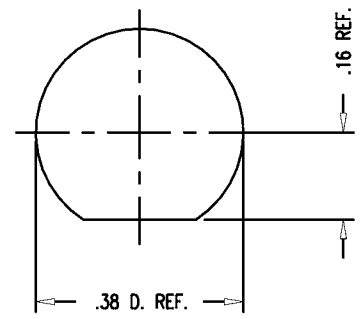
REVISIONS

ISSUE	CHANGES
9	CN 33274 E REDRAWN WJM 08/05/91



STAMP: 91836 M39012/21-0002
KC-79-106 XX XX
DATE CODE

- NOTES:**
1. INTERFACE PER MIL-STD-348, FIG. 301-2.
 2. MATERIALS:
INSULATOR: TEFLON, ASTM-D-1457
LOCKWASHER: PHOSPHOR BRONZE, QQ-B-750
CENTER CONTACT: BER. COPPER, ASTM-B-196
ALL OTHER METAL PARTS: BRASS, ASTM-B16
 3. FINISHES:
CENTER CONTACT: HARD GOLD PLATE, PER MIL-G-45204
ALL OTHER METAL PARTS: SILVER PLATE, PER QQ-S-365
 4. ELECTRICAL CHARACTERISTICS:
NOMINAL IMPEDANCE: 50 OHMS
WORKING VOLTAGE: 500 VRMS
FREQUENCY RANGE: DC TO 4 GHz.



MOUNTING HOLE

GSD

SCALE 4:1

APPROX SURFACE AREA

KC-79-106

USED ON

REF: SUPERSEDES UG-1094A/U

RECEPTACLE, BULKHEAD, BNC

DRAWN	WJM	DATE	08/05/91
-------	-----	------	----------

DESIGN	MJB	DATE	08/22/91
--------	-----	------	----------

APPR.		DATE	
-------	--	------	--

KINGS
ELECTRONICS CO., INC.
TUCKAHOE, NEW YORK 10707

M39012/21-0002

WJM1257