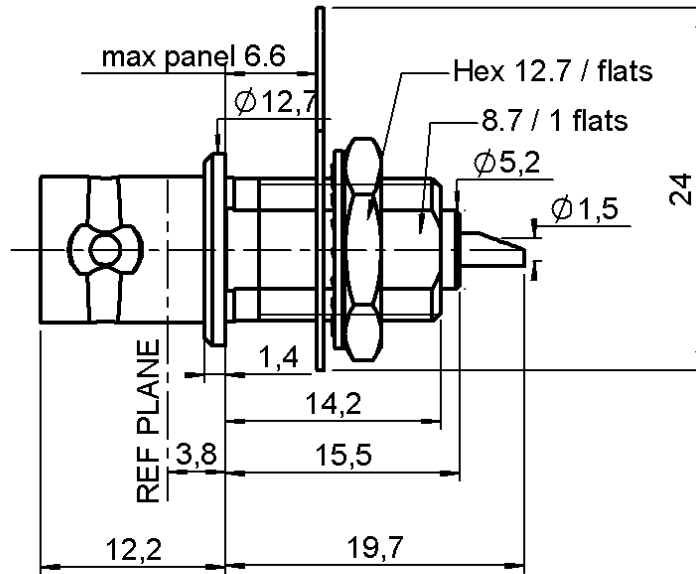


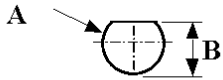
BULKHEAD JACK RECEPTACLE FRONT MOUNTING
WITH SOLDER POT CONTACT + TAG

R141.559.000

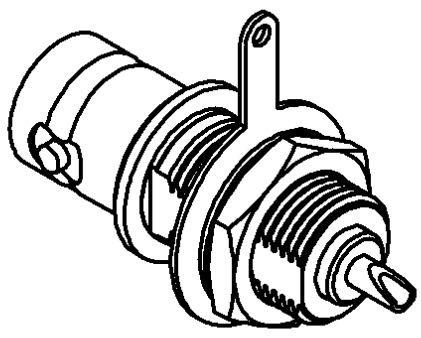
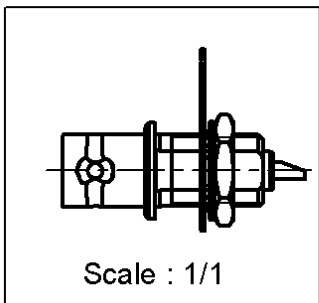
Series : BNC



PANEL CUT OUT



| mm | | |
|----|------|------|
| | Maxi | mini |
| A | 9.75 | 9.65 |
| B | 8.85 | 8.75 |



All dimensions are in mm.



| COMPONENTS | MATERIALS | PLATINGS (µm) |
|----------------|------------------|------------------------|
| BODY | BRASS | NICKEL 2 |
| CENTER CONTACT | BERYLLIUM COPPER | GOLD 0.5 OVER NICKEL 2 |
| OUTER CONTACT | - | - |
| INSULATOR | PTFE | - |
| GASKET | - | - |
| OTHERS PARTS | BRASS | NICKEL 2 |
| - | - | - |
| - | - | - |

Issue : 0331 U

In the effort to improve our products, we reserve the right to make changes judged to be necessary.



BULKHEAD JACK RECEPTACLE FRONT MOUNTING
WITH SOLDER POT CONTACT + TAG

R141.559.000

Series : BNC

PACKAGING

SPECIFICATION

| Standard | Unit | Other |
|------------|-------------------|-------------------|
| 100 | 'W' option | Contact us |

ELECTRICAL CHARACTERISTICS

| | | |
|---------------------------------|---------------|------------------------------|
| Impedance | | 50 Ω |
| Frequency | | 0-4 GHz |
| VSWR | 1.06 + | 0.006 x F(GHz) Maxi |
| Insertion loss | | .025* √F(GHz) dB Maxi |
| RF leakage | - (| 57 - F(GHz)) dB Maxi |
| Voltage rating | | 500 Veff Maxi |
| Dielectric withstanding voltage | | 1500 Veff mini |
| Insulation resistance | | 5000 MΩ mini |

ENVIRONMENTAL

| | |
|-----------------------|---------------------|
| Operating temperature | -65/+165 ° C |
| Hermetic seal | NA Atm.cm3/s |
| Panel leakage | NA |

OTHERS CHARACTERISTICS

Assembly instruction **NA**

Others :

* Coaxial Transmission Line Only

MECHANICAL CHARACTERISTICS

| | | |
|----------------------------|--|------------------------|
| Center contact retention | | |
| Axial force – Mating end | | 18 N mini |
| Axial force – Opposite end | | 18 N mini |
| Torque | | 2.8 N.cm mini |
| Recommended torque | | |
| Mating | | NA N.cm |
| Panel nut | | 250 N.cm |
| Mating life | | 500 Cycles mini |
| Weight | | 9.000 g |

Issue : 0331 U

In the effort to improve our products, we reserve the right to make changes judged to be necessary.

