

MATERIALS AND FINISHES:

BODY, COUPLING NUT: ZINC ALLOY
PLATED NICKEL

CONTACT (PLUG): BRASS
CONTACT (JACK): PHOSPHOR BRONZE
PLATED GOLD

INSULATOR (PLUG & JACK): POLYPROPYLENE

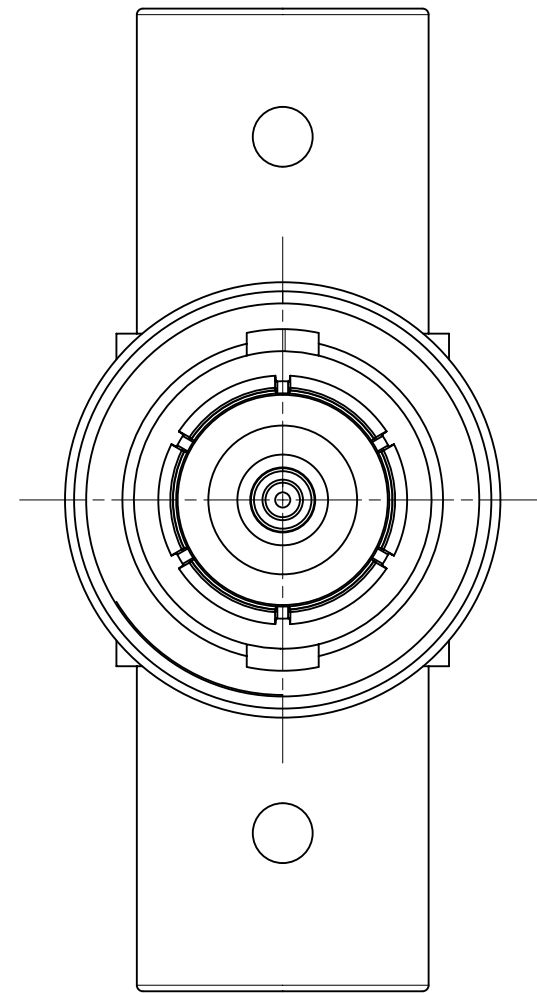
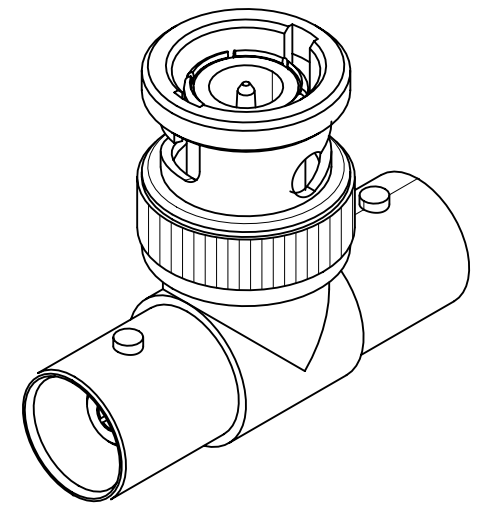
OUTER CONTACT: BRASS
PLATED NICKEL

GASKET: SILICONE RUBBER

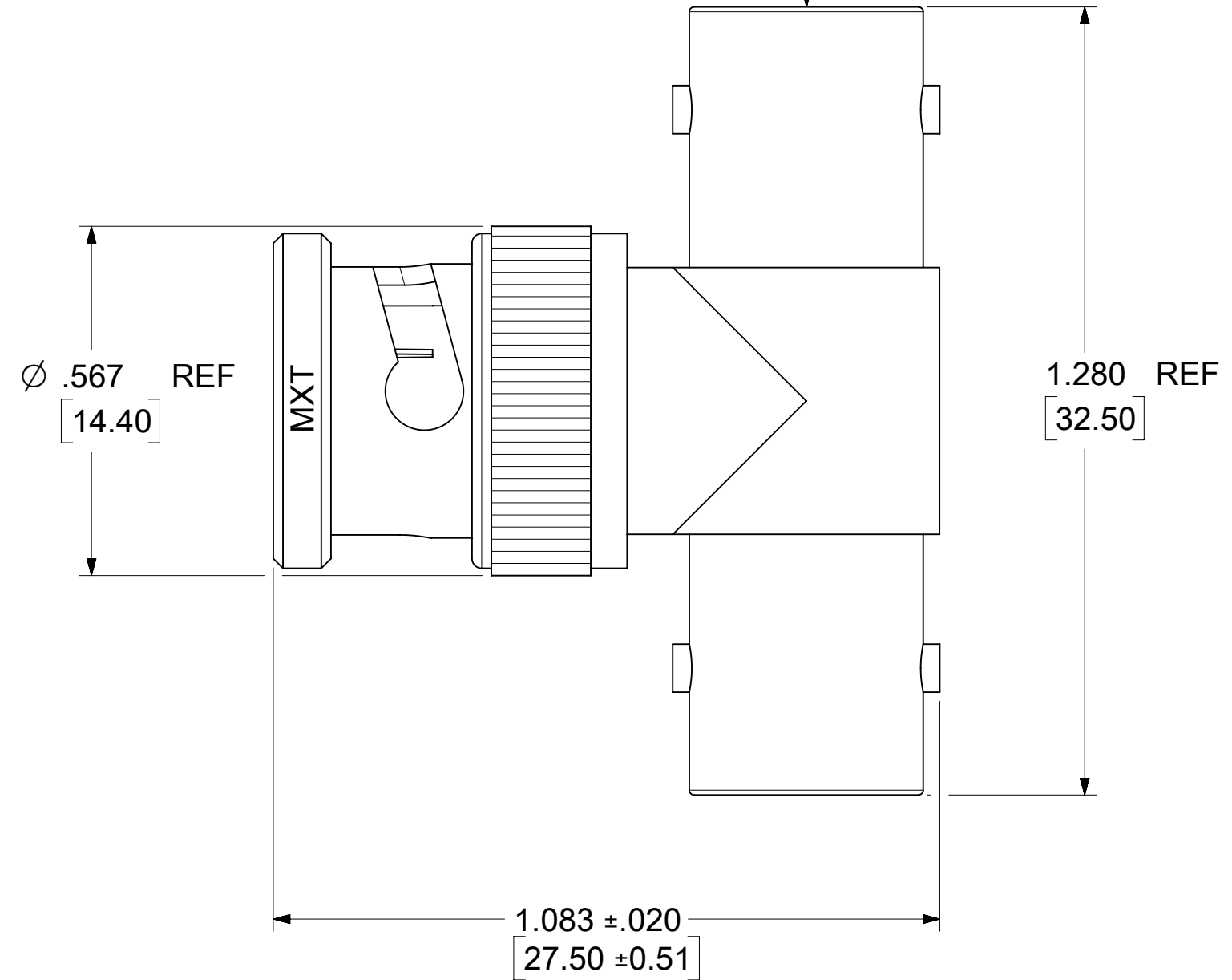
RETAINING RING: BRASS
PLATED NICKEL

WASHER: BRASS
PLATED NICKEL

SPRING WASHER: BERYLLIUM COPPER



CONNECTOR INTERFACE
PER MOLEX ENGINEERING STANDARD
ES-73599-0000 (3 PLACES)



LABEL WITH EACH BAG
FOR 73148-5003

MOLEX P/N: 73148-5003
DATE: YYWW

LABEL WITH EACH BAG
FOR 73171-6950

MOLEX P/N: 73171-6950
DATE: YYWW

73171-6950	73148-5003 ONE PER BAG
73148-5003	ONE PER BAG
PART NO.	PACKAGING

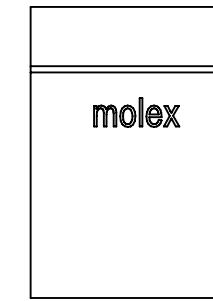
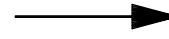
PS-73598-0016	PRODUCT SPECIFICATION
ES-73599-0000-001	BNC PLUG INTERFACE
ES-73599-0000-000	BNC JACK INTERFACE
SPECIFICATION	DESCRIPTION

DOCUMENT STATUS	P1	RELEASE DATE	2021/04/21	06:23:46
-----------------	----	--------------	------------	----------

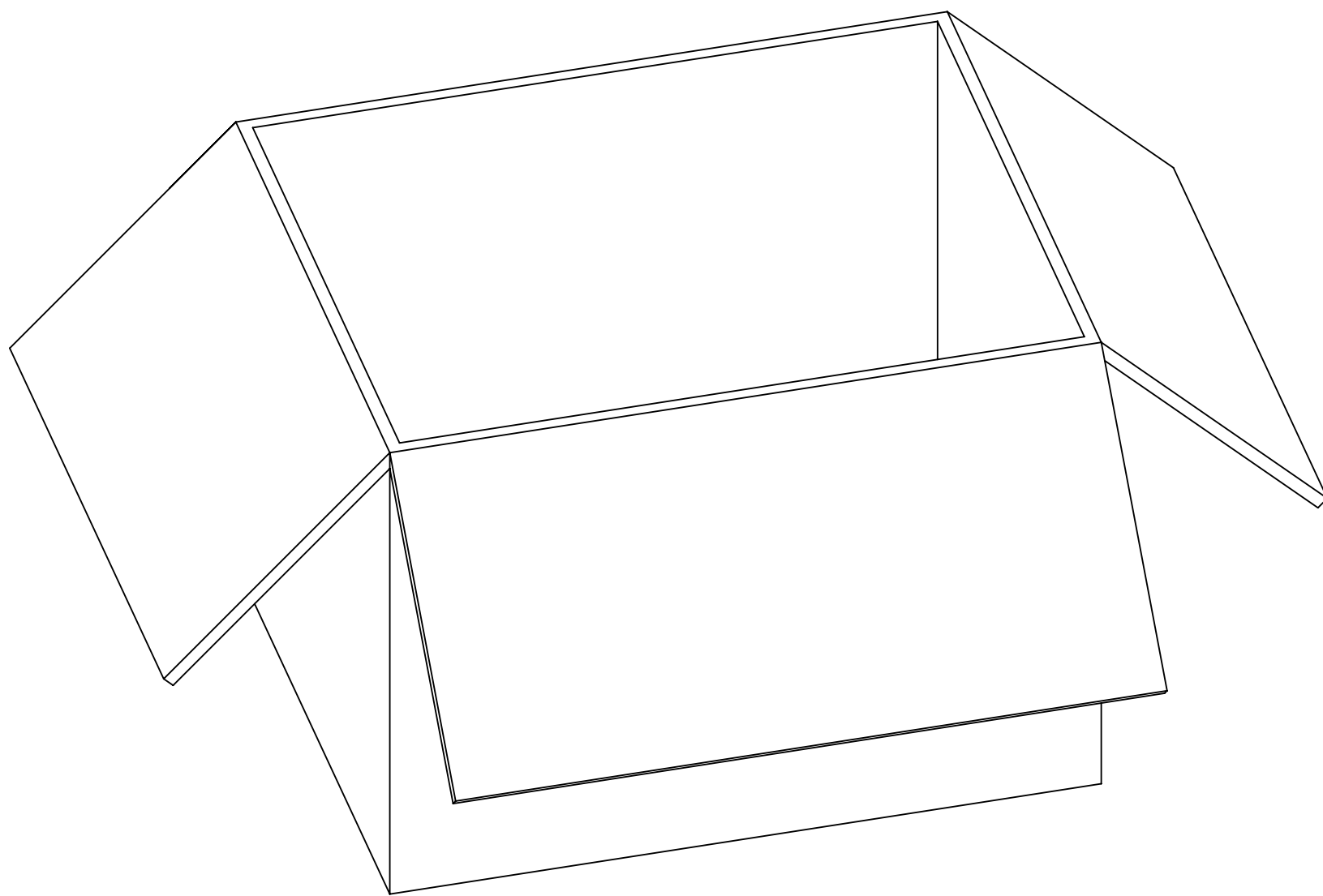
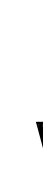
THIS DRAWING CONTAINS INFORMATION THAT IS PROPRIETARY TO MOLEX ELECTRONIC TECHNOLOGIES, LLC AND SHOULD NOT BE USED WITHOUT WRITTEN PERMISSION									
DIMENSION UNITS	SCALE	CURRENT REV DESC: ADD LABEL FOR 73148-5003 & 73171-6950 PER EWR #14242-H							
INCH/MM	NTS								
GENERAL TOLERANCES (UNLESS SPECIFIED)					50 OHM BNC TEE ADAPTOR (J-P-J) BNC-ADP/JPJ				
ANGULAR TOL ± 2.0°									
4 PLACES ±		EC NO: 660983			PRODUCT CUSTOMER DRAWING				
3 PLACES ±		DRWN: RYEH 2021/03/25							
2 PLACES ±		CHK'D: YCHENG 2021/04/21			DOCUMENT NUMBER: SD-73148-5003 DOC TYPE: PSD DOC PART: 001 REVISION: D3				
1 PLACE ±		APPR: YCHENG 2021/04/21							
0 PLACES ±		INITIAL REVISION:			MATERIAL NUMBER: SEE TABLE CUSTOMER: GENERAL MARKET SHEET NUMBER: 1 OF 3				
DRAFT WHERE APPLICABLE MUST REMAIN WITHIN DIMENSIONS		DRWN: ELIN 2007/06/15							
		APPR: MISEN 1991/01/21							
		THIRD ANGLE PROJECTION	DRAWING	SERIES					
			C-SIZE	73148					



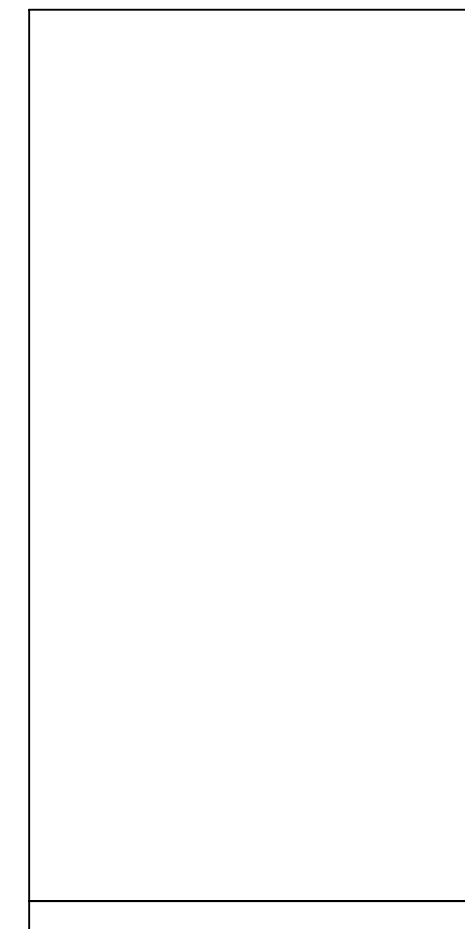
P/N: 73148-5003



1 SET PER BAG
P/N: 89707-0135



500 SETS PER CARTON BOX
P/N: 89499-9027



50 SETS PER BAG
P/N: 89707-0174

THIS DRAWING CONTAINS INFORMATION THAT IS PROPRIETARY TO MOLEX ELECTRONIC TECHNOLOGIES, LLC AND SHOULD NOT BE USED WITHOUT WRITTEN PERMISSION										
DIMENSION UNITS		SCALE		CURRENT REV DESC: ADD LABEL FOR 73148-5003 & 73171-6950 PER EWR #14242-H				molex		
INCH/MM		NTS								
GENERAL TOLERANCES (UNLESS SPECIFIED)								50 OHM BNC TEE ADAPTOR (J-P-J) BNC-ADP/JPJ		
ANGULAR TOL ± 2.0°				EC NO: 660983						
4 PLACES ±				DRWN: RYEH		2021/03/25		PRODUCT CUSTOMER DRAWING		
3 PLACES ±				CHK'D: YCHENG		2021/04/21				
2 PLACES ±				APPR: YCHENG		2021/04/21				
1 PLACE ±				INITIAL REVISION:				DOCUMENT NUMBER		
0 PLACES ±				DRWN: ELIN		2007/06/15		SD-73148-5003		
				APPR: MISEN		1991/01/21		DOC TYPE	DOC PART	REVISION
DRAFT WHERE APPLICABLE MUST REMAIN WITHIN DIMENSIONS		THIRD ANGLE PROJECTION		DRAWING	SERIES	MATERIAL NUMBER	CUSTOMER		SHEET NUMBER	
				C-SIZE	73148	SEE TABLE	GENERAL MARKET		2 OF 3	

molex

50 OHM BNC TEE ADAPTOR (J-P-J) BNC-ADP/JPJ

PRODUCT CUSTOMER DRAWING

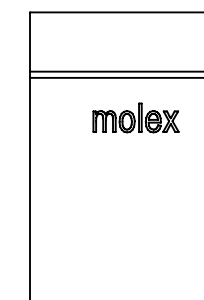
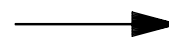
SD-73148-5003

PSD 001 D3

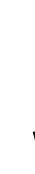
DOCUMENT STATUS P1 RELEASE DATE 2021/04/21 06:23:46



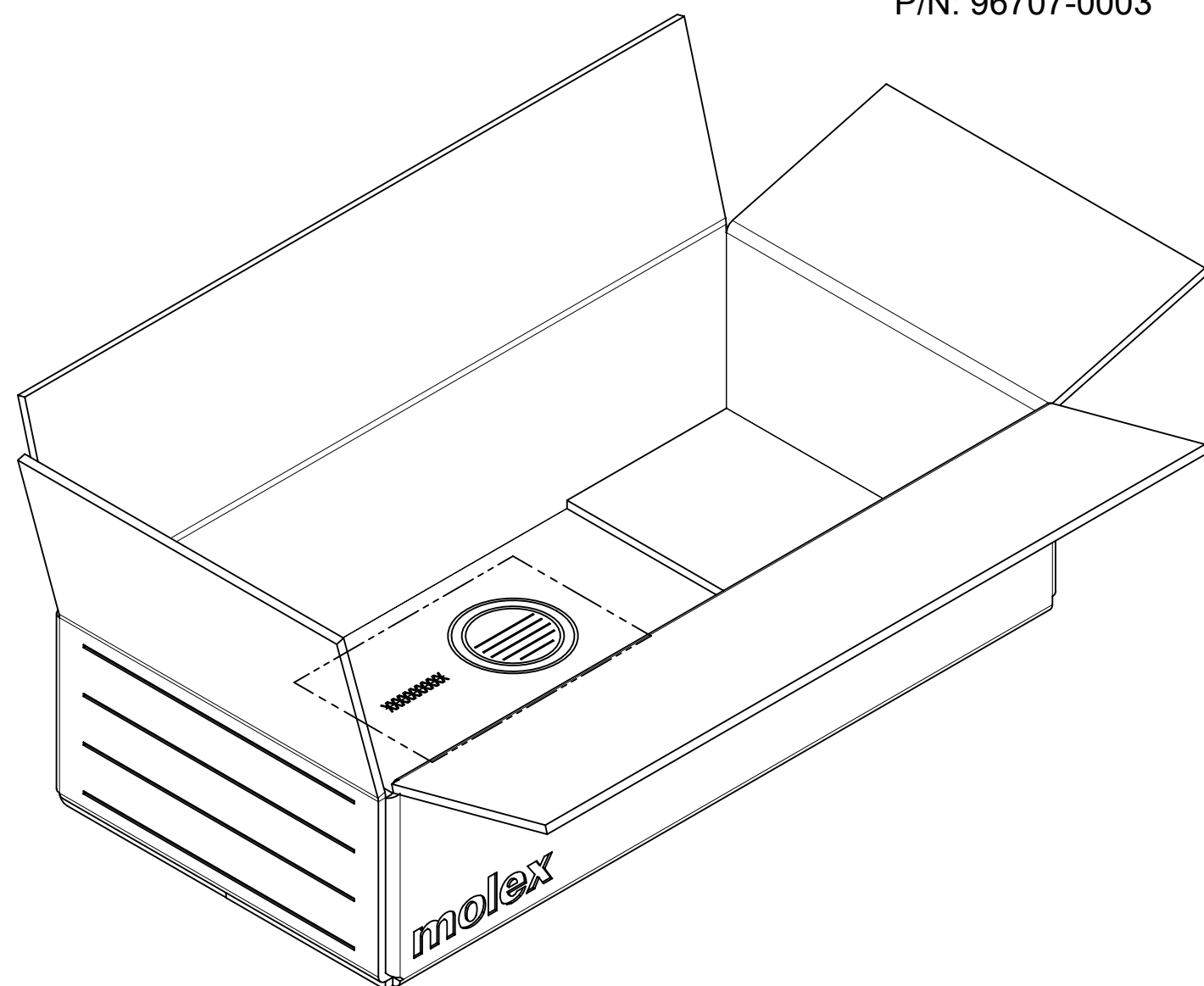
P/N: 73148-5003



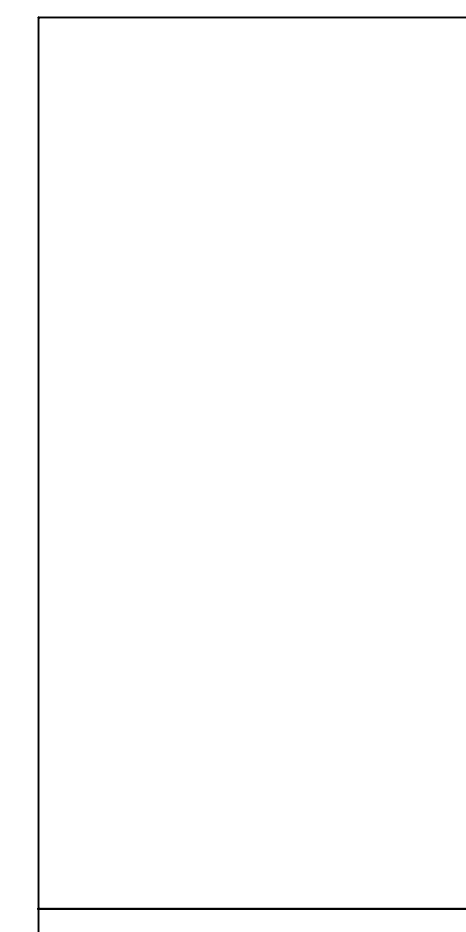
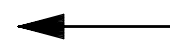
1 SET PER BAG
P/N: 89707-0317



P/N: 73171-6950
250 X 73148-5003 PER CARTON BOX
P/N: 96707-0003



250 SETS PER CARTON BOX
P/N: 96707-0003



50 SETS PER BAG
P/N: 89707-0174

THIS DRAWING CONTAINS INFORMATION THAT IS PROPRIETARY TO MOLEX ELECTRONIC TECHNOLOGIES, LLC AND SHOULD NOT BE USED WITHOUT WRITTEN PERMISSION

DIMENSION UNITS		SCALE		CURRENT REV DESC: ADD LABEL FOR 73148-5003 & 73171-6950 PER EWR #14242-H				molex					
INCH/MM		NTS											
GENERAL TOLERANCES (UNLESS SPECIFIED)								50 OHM BNC TEE ADAPTOR (J-P-J) BNC-ADP/JPJ PRODUCT CUSTOMER DRAWING					
ANGULAR TOL		± 2.0°		EC NO: 660983									
4 PLACES		±		DRWN: RYEH		2021/03/25							
3 PLACES		±		CHK'D: YCHENG		2021/04/21							
2 PLACES		±		APPR: YCHENG		2021/04/21							
1 PLACE		±		INITIAL REVISION:									
0 PLACES		±		DRWN: ELIN		2007/06/15		DOCUMENT NUMBER		DOC TYPE	DOC PART	REVISION	
				APPR: MISEN		1991/01/21		SD-73148-5003		PSD	001	D3	
DRAFT WHERE APPLICABLE MUST REMAIN WITHIN DIMENSIONS				THIRD ANGLE PROJECTION		DRAWING		SERIES		MATERIAL NUMBER		CUSTOMER	SHEET NUMBER
						C-SIZE		73148		SEE TABLE		GENERAL MARKET	
DOCUMENT STATUS				P1	RELEASE DATE		2021/04/21 06:23:46						3 OF 3