

MATERIALS AND FINISHES:

BODY, COUPLING NUT: ZINC ALLOY  
PLATED NICKEL

CONTACT (PLUG): BRASS  
CONTACT (JACK): PHOSPHOR BRONZE  
PLATED GOLD

INSULATOR (PLUG & JACK): POLYPROPYLENE

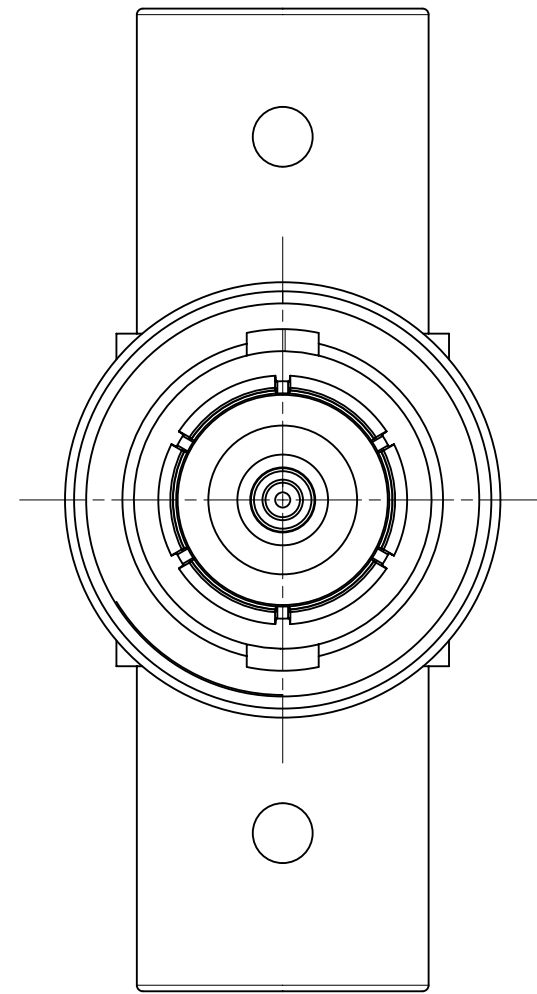
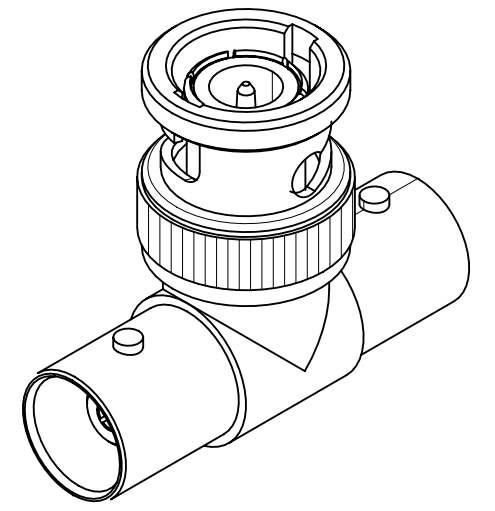
OUTER CONTACT: BRASS  
PLATED NICKEL

GASKET: SILICONE RUBBER

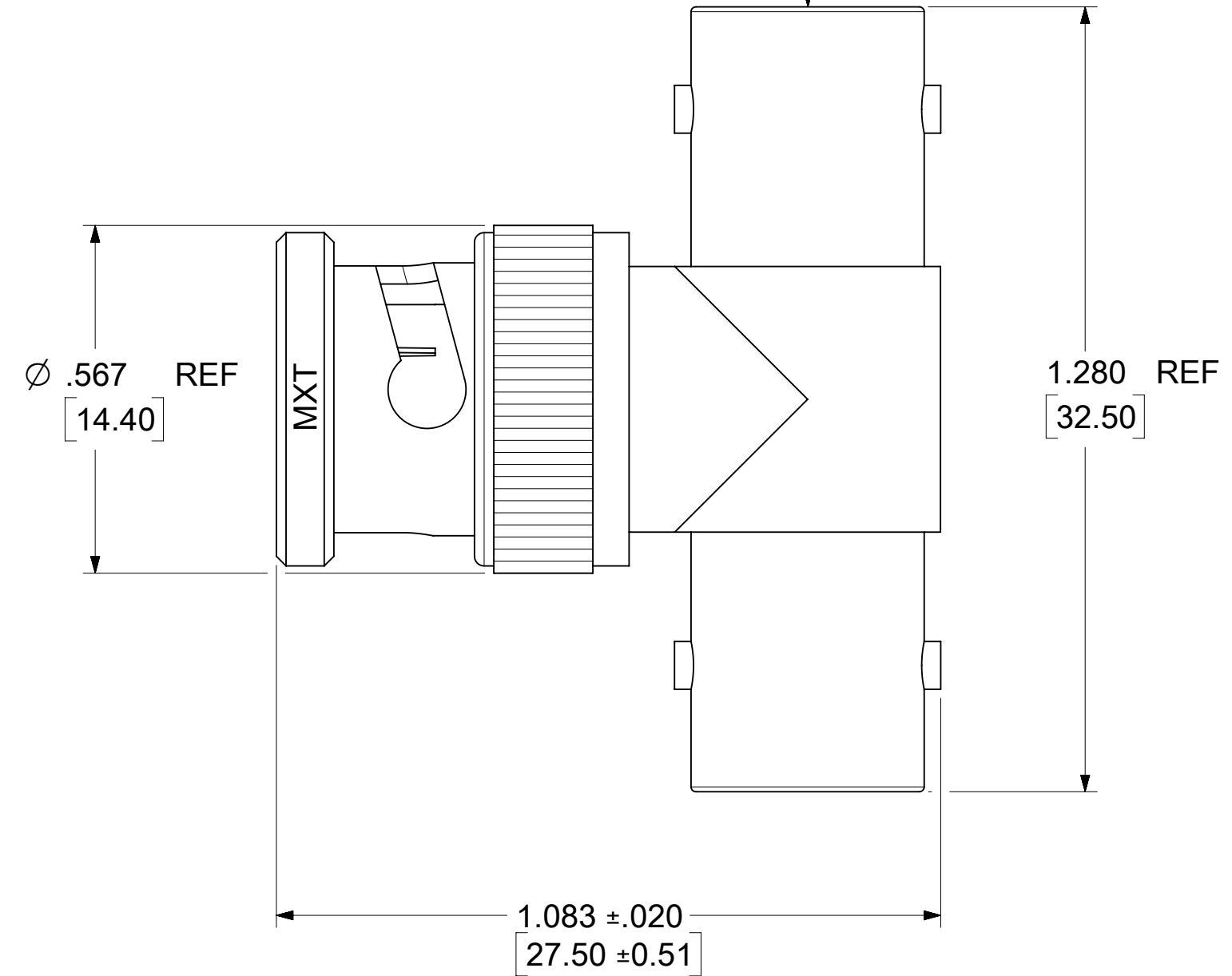
RETAINING RING: BRASS  
PLATED NICKEL

WASHER: BRASS  
PLATED NICKEL

SPRING WASHER: BERYLLIUM COPPER



CONNECTOR INTERFACE  
PER MOLEX ENGINEERING STANDARD  
ES-73599-0000 (3 PLACES)



LABEL WITH EACH BAG  
FOR 73148-5003

MOLEX P/N: 73148-5003  
DATE: YYWW

LABEL WITH EACH BAG  
FOR 73171-6950

MOLEX P/N: 73171-6950  
DATE: YYWW

73171-6950	73148-5003 ONE PER BAG
73148-5003	ONE PER BAG
PART NO.	PACKAGING

PS-73598-0016	PRODUCT SPECIFICATION
ES-73599-0000-001	BNC PLUG INTERFACE
ES-73599-0000-000	BNC JACK INTERFACE
SPECIFICATION	DESCRIPTION

DOCUMENT STATUS	P1	RELEASE DATE	2021/04/21	06:23:46
-----------------	----	--------------	------------	----------

THIS DRAWING CONTAINS INFORMATION THAT IS PROPRIETARY TO MOLEX ELECTRONIC TECHNOLOGIES, LLC AND SHOULD NOT BE USED WITHOUT WRITTEN PERMISSION									
DIMENSION UNITS	SCALE	CURRENT REV DESC: ADD LABEL FOR 73148-5003 & 73171-6950 PER EWR #14242-H							
INCH/MM	NTS								
GENERAL TOLERANCES (UNLESS SPECIFIED)					<b>50 OHM BNC TEE ADAPTOR (J-P-J) BNC-ADP/JPJ</b>				
ANGULAR TOL ± 2.0°									
4 PLACES	±	EC NO: 660983			<b>PRODUCT CUSTOMER DRAWING</b>				
3 PLACES	±	DRWN: RYEH 2021/03/25							
2 PLACES	±	CHK'D: YCHENG 2021/04/21			DOCUMENT NUMBER: <b>SD-73148-5003</b> DOC TYPE: PSD    DOC PART: 001    REVISION: D3				
1 PLACE	±	APPR: YCHENG 2021/04/21							
0 PLACES	±	INITIAL REVISION:			MATERIAL NUMBER: SEE TABLE    CUSTOMER: GENERAL MARKET    SHEET NUMBER: 1 OF 3				
DRAFT WHERE APPLICABLE MUST REMAIN WITHIN DIMENSIONS		DRWN: ELIN 2007/06/15							
		APPR: MISEN 1991/01/21			THIRD ANGLE PROJECTION:     DRAWING: C-SIZE    SERIES: 73148				