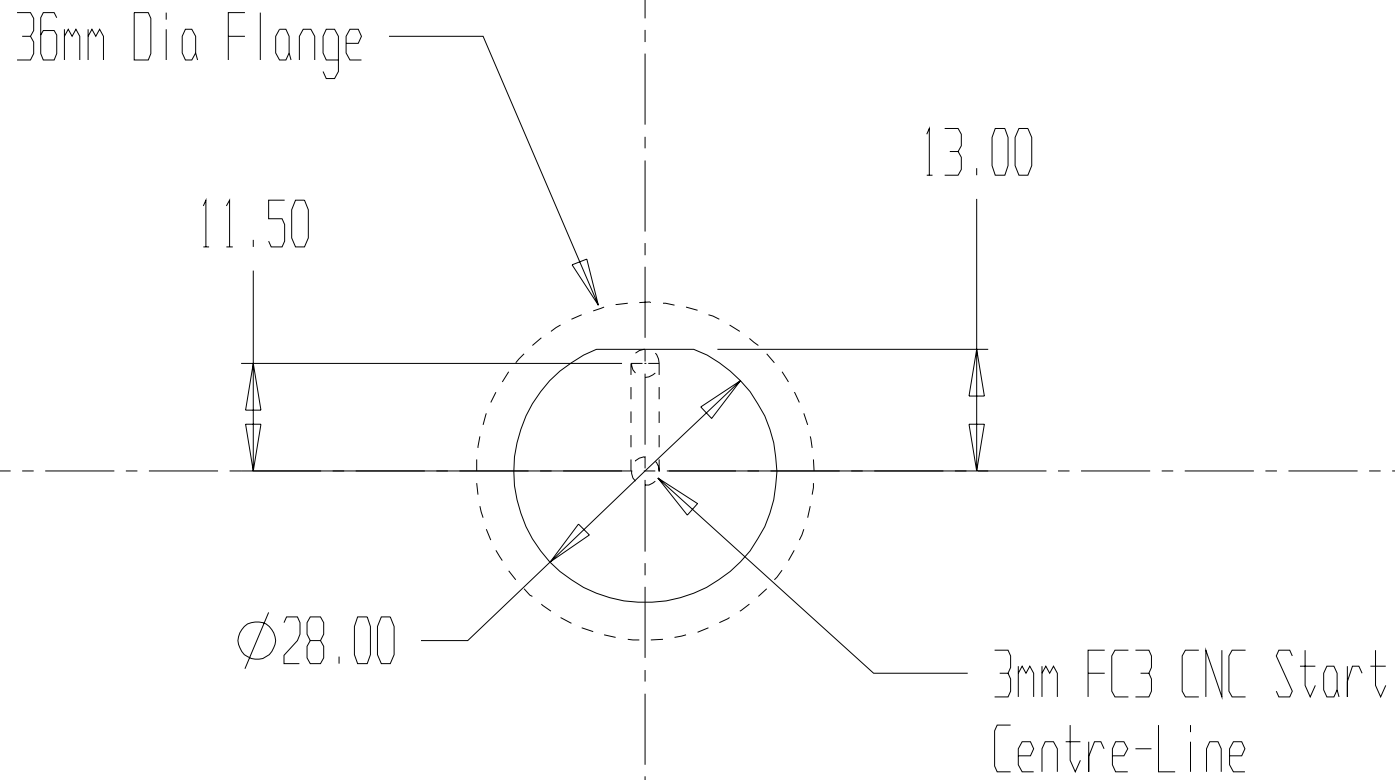


CNC Pattern File:
DSR1051.CNC
26/6/07



Drawing name: DSR1051-A004.PRT
Neutrik: DSR1051-A004-3 Triaxial Panel Jack
20/06/2007