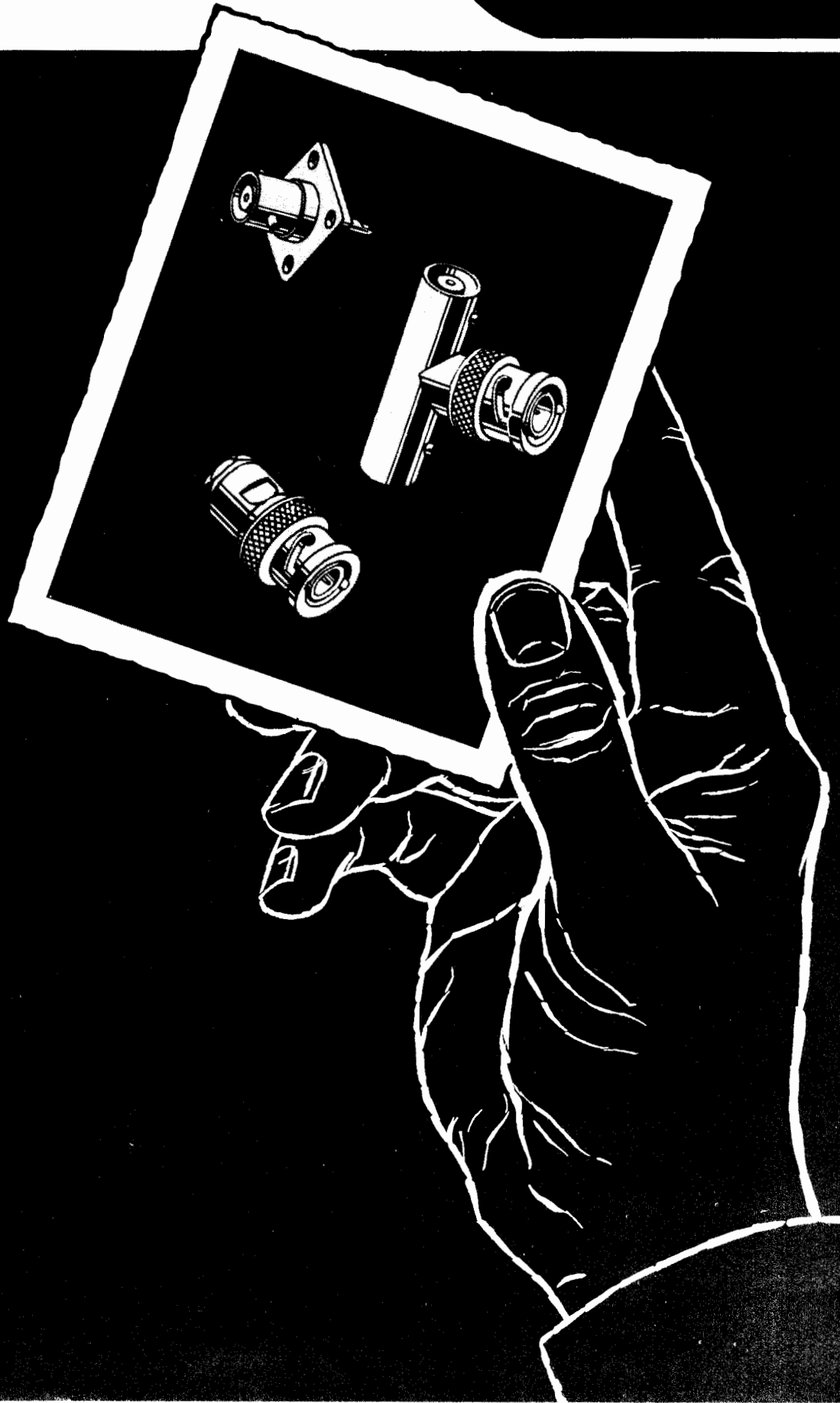


# TYPE BNC

**KINGS**  
ELECTRONICS

K-GRIP IS AVAILABLE FOR THIS SERIES. SEE PAGES 106-111.



Most units are available in TNC types. For special applications and cable sizes, see Pages 96-105.



SERIES

BNC

BNC SERIES

MILITARY TYPE	KINGS NUMBER	DESCRIPTION	CABLE SIZE	ENGINEERING DATA	DIELECTRIC MATERIAL	KINGS NUMBER	MILITARY TYPE
UG-88/U	KC-51-01	Plug	RG-55, 58/U		Teflon	KB-81-01	MX-195/U
UG-88B/U	KC-57-01	Plug	RG-55, 58/U		Teflon	KC-11-01	UG-90/U
UG-88C/U	KC-58-01	Plug	RG-55, 58/U		Teflon	KC-11-02	UG-291/U
UG-88D/U	KC-56-01	Plug	RG-55, 58, 223/U		Teflon	KC-11-03	UG-262/U
UG-89/U	KC-31-01	Jack	RG-55, 58/U		Teflon	KC-11-06	UG-253/U
UG-89A/U	KC-34-01	Jack	RG-55, 58/U		Teflon	KC-11-09	UG-909/U
UG-89B/U	KC-37-01	Jack	RG-55, 58/U		Teflon	KC-11-10	UG-910/U
UG-89C/U	KC-38-02	Jack	RG-55, 58, 223/U		Teflon	KC-14-01	UG-90A/U
UG-90/U	KC-11-01	Panel Jack	RG-58/U		Teflon	KC-14-02	UG-291A/U
UG-90A/U	KC-14-01	Panel Jack			Teflon	KC-14-03	UG-262A/U
CW-123A/U	KC-81-01	Cap & Chain Assembly		For use with Female Connectors		KC-14-04	UG-253A/U
CW-155A/U	KC-81-02	Cap Assembly		For use with Female Connectors		KC-14-05	UG-910A/U
UG-185/U	KC-71-05	Receptacle			Rexolite	KC-14-06	UG-909A/U
MX-195/U	KB-81-01	Hood	RG-55, 58/U			KC-17-02	UG-291B/U
MX-195A/U	KC-84-01	Hood	RG-55, 58/U			KC-17-03	UG-262B/U
UG-253/U	KC-11-06	Jack, Bulkhead	RG-55, 58/U		Rexolite	KC-17-04	UG-253B/U
UG-253A/U	KC-14-04	Jack, Bulkhead	RG-55, 58/U	See Note 3	Rexolite	KC-18-01	UG-262C/U
UG-253B/U	KC-17-04	Jack, Bulkhead	RG-55, 58, 223/U	Pressurized	Rexolite & Teflon	KC-18-02	UG-291C/U
UG-254A/U	KC-74-01	Receptacle			Rexolite	KC-31-01	UG-89/U
UG-260/U	KC-51-02	Plug	RG-59, 62, 71/U		Rexolite	KC-31-02	UG-261/U
UG-260A/U	KC-54-02	Plug	RG-59, 62, 71/U		Rexolite	KC-34-01	UG-89A/U
UG-260B/U	KC-57-02	Plug	RG-59, 62, 71/U		Teflon	KC-34-02	UG-261A/U
UG-260C/U	KC-58-02	Plug	RG-59, 62, 71/U		Teflon	KC-37-01	UG-89B/U
UG-261/U	KC-31-02	Jack	RG-59, 62, 71/U		Rexolite	KC-37-02	UG-261B/U
UG-261A/U	KC-34-02	Jack	RG-59, 62, 71/U		Rexolite	KC-38-01	UG-261C/U
UG-261B/U	KC-37-02	Jack	RG-59, 62, 71/U		Teflon	KC-38-02	UG-89C/U
UG-261C/U	KC-38-01	Jack	RG-59, 62, 71/U		Teflon	KC-51-01	UG-88/U
UG-262/U	KC-11-03	Panel Jack	RG-59, 62, 71/U		Rexolite	KC-51-02	UG-260/U
UG-262A/U	KC-14-03	Panel Jack	RG-59, 62, 71/U		Rexolite	KC-51-04	UG-913/U
UG-262B/U	KC-17-03	Panel Jack	RG-59, 62, 71/U		Teflon	KC-54-02	UG-260A/U
UG-262C/U	KC-18-01	Panel Jack	RG-59, 62, 71/U		Teflon	KC-56-01	UG-88D/U
UG-274/U	KC-91-03	Adapter, Tee		F-M-F	Rexolite	KC-57-01	UG-88B/U
UG-274A/U	KC-94-10	Adapter, Tee		F-M-F	Teflon	KC-57-02	UG-260B/U
UG-274B/U	KC-97-02	Adapter, Tee		F-M-F	Teflon	KC-58-01	UG-88C/U
CW-282/U	KC-82-03	Cap & Chain		For use with Male Connectors		KC-58-02	UG-260C/U
UG-282/U	KC-81-05	Adapter, Binding Post			Rexolite	KC-71-01	UG-290/U
UG-290/U	KC-71-01	Receptacle			Rexolite	KC-71-02	UG-912/U
UG-290A/U	KC-74-04	Receptacle		See Note 1	Teflon	KC-71-04	UG-589/U
UG-291/U	KC-11-02	Panel Jack	RG-55, 58/U		Teflon	KC-71-05	UG-185/U
UG-291A/U	KC-14-02	Panel Jack	RG-55, 58/U		Teflon	KC-71-09	UG-657/U
UG-291B/U	KC-17-02	Panel Jack	RG-55, 58/U		Teflon	KC-71-10	UG-447/U
UG-291C/U	KC-18-02	Panel Jack	RG-55, 58, 223/U		Teflon	KC-71-11	UG-625/U
UG-306/U	KC-91-04	Adapter, Angle		M-F	Teflon	KC-71-14	UG-535/U
UG-306A/U	KC-94-01	Adapter, Angle		M-F	Teflon	KC-71-15	UG-365/U
UG-365/U	KC-71-15	Receptacle			Rexolite	KC-71-16	UG-604/U
MX-367/U	KC-81-04	Hood	RG-59, 62, 71/U	For use with UG-86/U	Phenolic	KC-71-17	UG-928/U
MT-412/U	KC-81-03	Mounting Plate		F-F Used with UG-90/U and UG-185/U			



### BNC SERIES

MILITARY TYPE	KINGS NUMBER	DESCRIPTION	CABLE SIZE	ENGINEERING DATA	DIELECTRIC MATERIAL	KINGS NUMBER	MILITARY TYPE
UG-414/U	KC-91-06	Adapter		F-F	Rexolite	KC-71-19	UG-911/U
UG-414A/U	KC-94-03	Adapter			Teflon	KC-74-01	UG-254A/U
UG-447/U	KC-71-10	Receptacle			Rexolite	KC-74-04	UG-290A/U
UG-491/U	KC-91-08	Adapter		M-M	Teflon	KC-74-05	UG-1098/U
UG-491A/U	KC-94-02	Adapter		M-M	Teflon	KC-74-06	UG-1094/U
UG-491B/U	KC-79-03	Adapter		M-M	Teflon	KC-74-07	UG-911A/U
*UG-492/U	KC-91-09	Adapter, Bulkhead		F-F Pressurized	Teflon	KC-77-01	UG-625B/U
UG-492A/U	KC-94-09	Adapter, Bulkhead		F-F Pressurized	Teflon	KC-81-01	CW-123A/U
UG-492B/U	KC-97-01	Adapter, Bulkhead		F-F Pressurized	Teflon	KC-81-02	CW-155A/U
UG-535/U	KC-71-14	Receptacle, Angle			Teflon	KC-81-03	MT-412/U
UG-535A/U	See UG-1098/U			Nomenclature Revised		KC-81-04	MX-367/U
UG-589/U	KC-71-04	Plug	Wire W-142	Single-Conductor Cable	Rexolite	KC-81-05	UG-282/U
UG-604/U	KC-71-16	Receptacle			Rexolite	KC-82-03	CW-282/U
UG-625/U	KC-71-11	Receptacle			Rexolite	KC-84-01	MX-195A/U
UG-625A/U	See UG-1094/U			Nomenclature Revised		KC-91-03	UG-274/U
UG-625B/U	KC-77-01	Receptacle			Teflon	KC-91-04	UG-306/U
UG-657/U	KC-71-09	Receptacle		Pressurized	Rexolite	KC-91-06	UG-414/U
UG-909/U	KC-11-09	Jack, Bulkhead	RG-55, 58/U		Teflon	KC-91-08	UG-491/U
UG-909A/U	KC-14-06	Jack, Bulkhead	RG-55, 58/U		Teflon	KC-91-09	UG-492/U
UG-910/U	KC-11-10	Jack, Bulkhead	RG-59, 62, 71/U		Teflon	KC-91-11	UG-914/U
UG-910A/U	KC-14-05	Jack, Bulkhead	RG-59, 62, 71/U		Teflon	KC-94-01	UG-306A/U
UG-911/U	KC-71-19	Receptacle		Pressurized See Note 2	Teflon	KC-94-02	UG-491A/U
UG-911A/U	KC-74-07	Receptacle		Pressurized See Note 2		KC-94-03	UG-414A/U
UG-912/U	KC-71-02	Receptacle		Pressurized	Teflon	KC-94-09	UG-492A/U
UG-913/U	KC-51-04	Plug, Angle	RG-55, 58/U		Teflon	KC-94-10	UG-274A/U
UG-914/U	KC-91-11	Adapter		F-F	Teflon	KC-97-01	UG-492B/U
UG-928/U	KC-71-17	Receptacle			Rexolite	KC-97-02	UG-274B/U
UG-1094/U	KC-74-06	Receptacle			Teflon	KC-97-03	UG-491B/U
UG-1098/U	KC-74-05	Receptacle, Angle			Teflon		

\*UG-492C/U available.

### BNC ADAPTERS TO OTHER SERIES

SERIES	CONTACTS	TYPE	KINGS NUMBER	ENGINEERING DATA	DIELECTRIC MATERIAL	KINGS NUMBER	MILITARY TYPE
BNC to Banana	M-M	UG-978/U	KC-91-10		Rexolite	KC-91-01	UG-255/U
BNC to C	M-F	UG-635/U	KD-91-05		Teflon	KC-91-02	UG-273/U
BNC to C	F-M F-M	UG-636/U UG-636A/U	KD-91-06 KD-94-04		Teflon Teflon	KC-91-05 KC-91-07	UG-335/U UG-349/U
BNC to HN	F-M	UG-309/U	KH-91-06		Rexolite & Teflon	KC-91-10	UG-978/U
BNC to N	F-M F-F	UG-201/U UG-201A/U	KN-91-04 KN-94-05		Rexolite & Teflon Teflon	KD-91-05 KD-91-06	UG-635/U UG-636/U
BNC to N	M-F M-F M-F	UG-335/U UG-349/U UG-349A/U	KC-91-05 KC-91-07 KN-94-09		Rexolite & Teflon Rexolite & Teflon Teflon	KD-94-04 KH-91-06 KN-91-04	UG-636A/U UG-309/U UG-201/U
BNC to SM	F-F	UG-690/U	KY-91-01		Rexolite & Teflon	KN-94-05	UG-201A/U
BNC to SM	F-M	UG-691/U	KY-91-02		Teflon	KN-94-09	UG-349A/U
BNC to UHF	M-F	UG-255/U	KC-91-01		Rexolite	KY-91-01	UG-690/U
BNC to UHF	F-M	UG-273/U	KC-91-02		Rexolite	KY-91-02	UG-691/U

NOTE 1: Requires Hood MX-195/U for cables RG-55/U, RG-58/U, and RG-58A/U and Hood MX-367/U for cables RG-59/U, RG-62/U, and RG-71/U.

NOTE 2: When Hood is required with UG-911/U use MX-195A/U.

NOTE 3: Similar to UG-253/U except clamp, gasket and washer replaced by modified braid clamp.

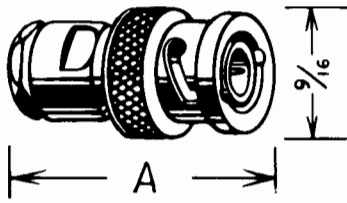
SEX OF CONTACTS IS INDICATED BY LETTERS "F" AND "M".

ASTERISKS (\*) ON FOLLOWING PAGES INDICATE ILLUSTRATED CONNECTORS.



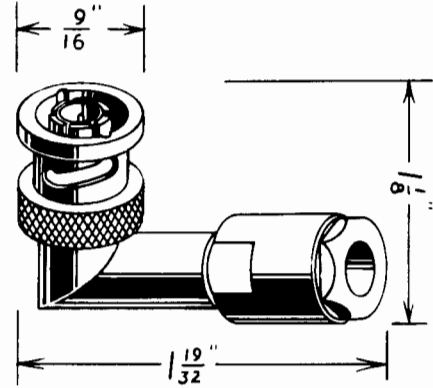
SERIES

BNC



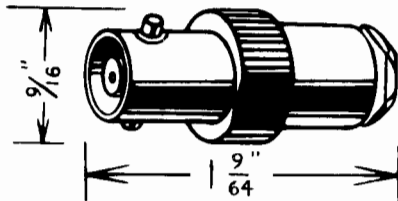
**PLUGS**

	A
*UG-88C/U	1 <sup>5</sup> / <sub>64</sub>
UG-88D/U	1 <sup>3</sup> / <sub>32</sub>
UG-260B/U	1 <sup>5</sup> / <sub>64</sub>
UG-260C/U	1 <sup>3</sup> / <sub>32</sub>
UG-589/U	1 <sup>1</sup> / <sub>16</sub>



**PLUG, ANGLE**

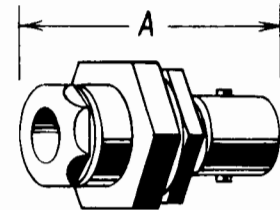
UG-913 /U



**JACKS**

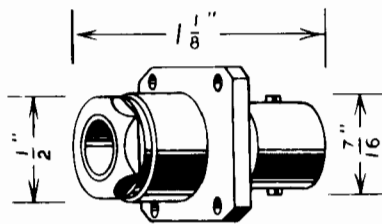
	A
*UG-89B/U	1 <sup>9</sup> / <sub>64</sub>
UG-89C/U	1 <sup>5</sup> / <sub>32</sub>
UG-261B/U	1 <sup>9</sup> / <sub>64</sub>
UG-261C/U	1 <sup>5</sup> / <sub>32</sub>

KINGS  
RESEARCH  
AND  
PRODUCTION  
FACILITIES  
ARE  
DEDICATED  
TO THE TASK  
OF KEEPING  
IN STEP WITH  
THE JET AGE.



**JACKS, BULKHEAD**

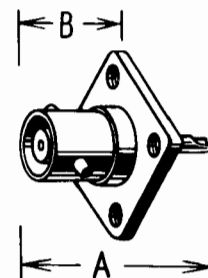
	A	MTG. HOLES
*UG-909/U	1 <sup>1</sup> / <sub>8</sub>	#2
UG-909A/U	1 <sup>5</sup> / <sub>32</sub>	#2
UG-910/U	1 <sup>1</sup> / <sub>8</sub>	#2
UG-910A/U	1 <sup>5</sup> / <sub>32</sub>	#2
UG-253A/U	1 <sup>21</sup> / <sub>32</sub>	1/2 Dia
UG-253B/U	1 <sup>55</sup> / <sub>64</sub>	1/2 Dia



**PANEL JACKS**

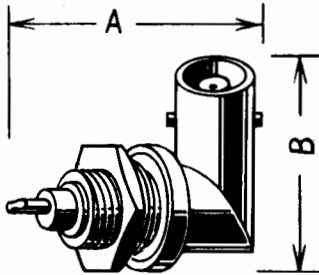
	A
*UG-262B/U	1 <sup>1</sup> / <sub>8</sub>
UG-262C/U	1 <sup>5</sup> / <sub>32</sub>
UG-291B/U	1 <sup>1</sup> / <sub>8</sub>
UG-291C/U	1 <sup>5</sup> / <sub>32</sub>

See Mounting Diagram #1



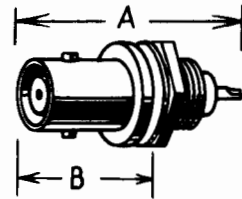
**RECEPTACLES**

	A	B	FLANGE HOLES	HOLE CTRS.	FLANGE
*UG-290 A/U	1 <sup>1</sup> / <sub>16</sub>	2 <sup>3</sup> / <sub>32</sub>	3-56 NF-2	1/2	1 <sup>1</sup> / <sub>16</sub> sq
UG-447 /U	1 <sup>1</sup> / <sub>32</sub>	2 <sup>3</sup> / <sub>32</sub>	7/64	1/2	1 <sup>1</sup> / <sub>16</sub> sq
UG-928 /U	7/8	5/8	3/64	1 <sup>7</sup> / <sub>32</sub>	3/4 sq



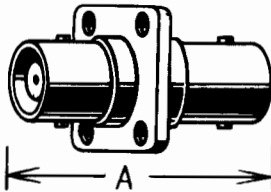
### RECEPTACLES

	A	B	MTG. HOLES	HOLE CTRS.	FLANGE
UG- 535 /U	$\frac{59}{64}$	1	$\frac{3}{4}$ dia (4)	$\frac{17}{32}$	$\frac{3}{4}$ sq
* UG-1098 /U	$1\frac{1}{4}$	$\frac{29}{32}$	$\frac{3}{8} \times \frac{5}{32}$	—	.600 dia



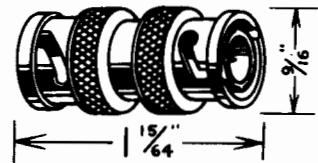
### RECEPTACLES

	A	B	MTG. HOLE	
UG- 254 A/U	$1\frac{15}{32}$	—	$\frac{1}{2}$ dia	Pressurized
UG- 604 /U	$1\frac{1}{32}$	$\frac{9}{16}$	#6	
UG- 625 B/U	$1\frac{1}{16}$	$\frac{13}{32}$	#4	
UG- 657 /U	$1\frac{15}{64}$	$\frac{19}{32}$	#3	Pressurized
UG- 911 A/U	$1\frac{15}{64}$	—	#2	Pressurized
UG- 912 /U	$1\frac{15}{64}$	$\frac{33}{64}$	#5	Pressurized
* UG-1094 /U	$1\frac{1}{16}$	$\frac{15}{32}$	#5	



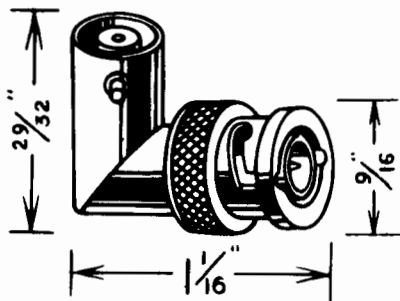
### ADAPTERS

	A	MTG. HOLES	HOLE CTRS.	FLANGE	TECH. DATA
* UG-414 A/U	$1\frac{1}{32}$	3-56 (4)	$\frac{1}{2}$	$\frac{1}{16}$ sq	
UG-492 B/U	$1\frac{25}{64}$	#2	—	.730 dia	pressurized
UG-914 /U	$1\frac{1}{2}$	—	—	none	



### ADAPTER

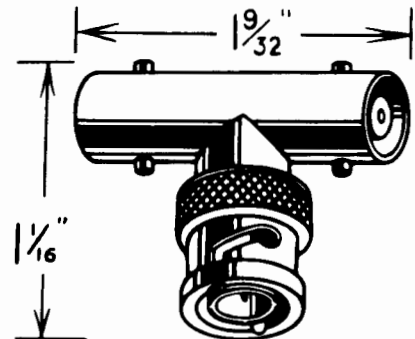
UG-491 A/U



### ADAPTER, ANGLE

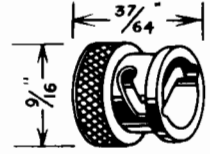
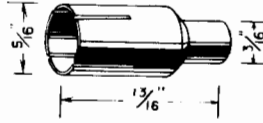
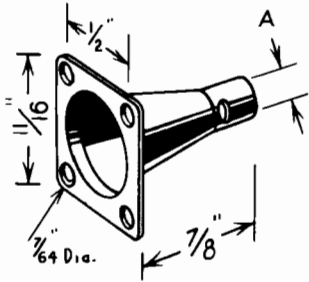
UG-306 A/U

RELIABILITY  
AND  
DEPENDABILITY  
... THE  
WATCHWORDS  
OF  
KINGS  
CONNECTORS.



### ADAPTER, TEE

\* UG-274 A/U  
UG-274 B/U



**HOODS**

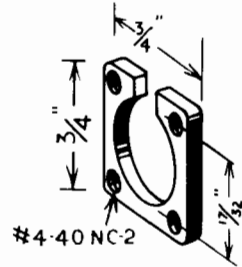
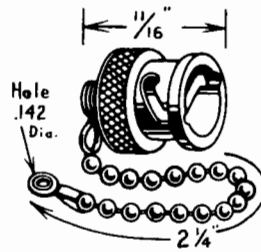
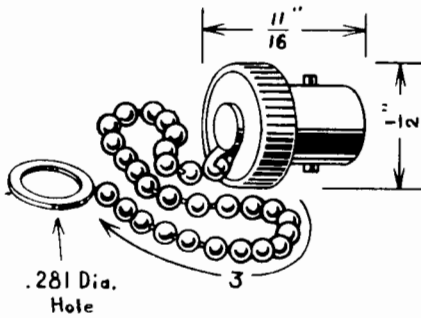
**HOOD**

MX-195 A/U

**CAP**

CW-155 A/U

	A
* MX-195/U	7/32
MX-367/U	17/64



**CAP & CHAIN**

CW-282/U

**CAP & CHAIN**

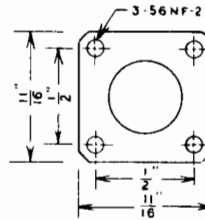
CW-123 A/U

**MOUNTING PLATE**

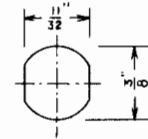
MT-412/U

**KINGS** ENGINEERING DEPARTMENT IS ALWAYS READY TO SOLVE YOUR MOST VEXING CONNECTOR PROBLEMS . . . IN THE QUICKEST AND MOST ECONOMICAL WAY.

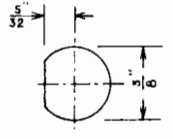
**MOUNTING DIAGRAMS**



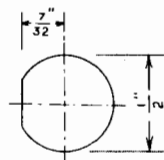
#1



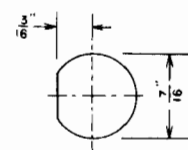
#3



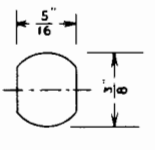
#5



#2



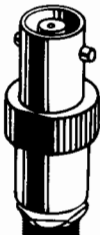
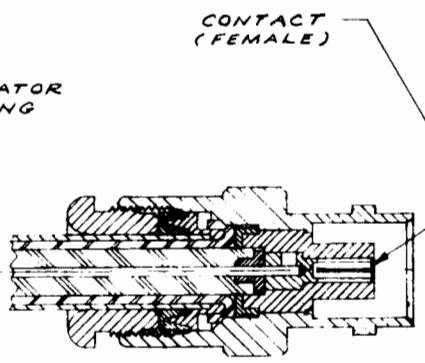
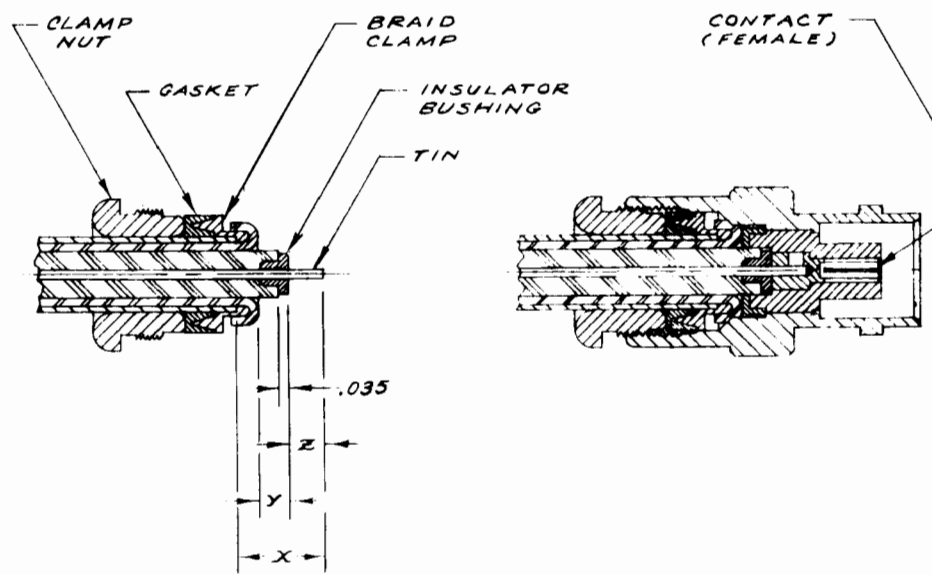
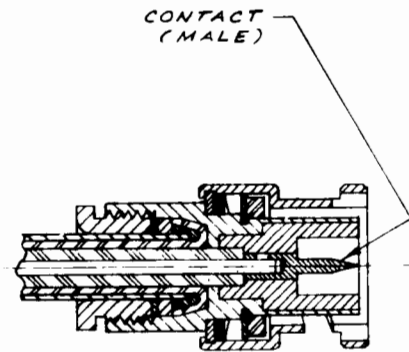
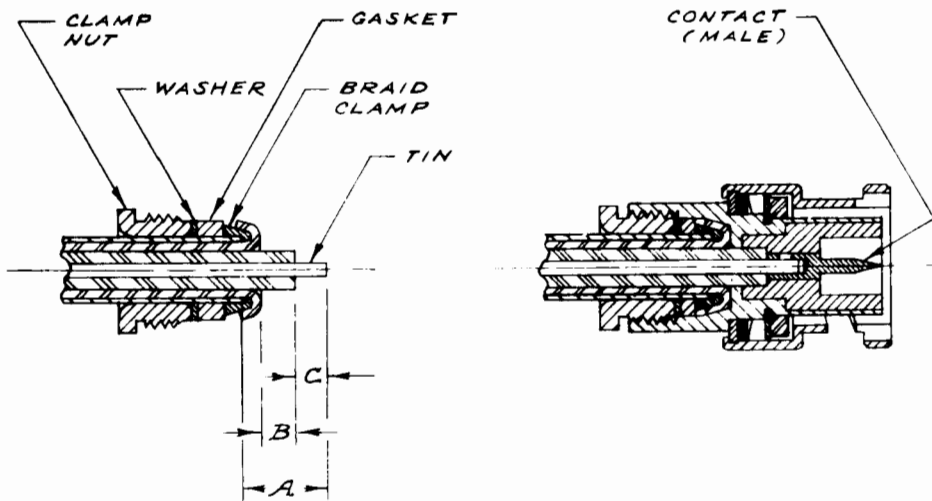
#4



#6



### CABLING INSTRUCTIONS



CONNECTOR	A	B	C
UG-88/U, UG-89/U, UG-90/U, UG-261/U UG-262/U, UG-291/U	$\frac{19}{64}$	.115	$\frac{7}{64}$
UG-253/U	$\frac{21}{64}$	.146	$\frac{7}{64}$
UG-260/U	$\frac{9}{32}$	.115	$\frac{3}{32}$

CONNECTOR	X	Y	Z
NOTE: INSULATOR BUSHING IS ASSEMBLED AS SHOWN WHEN USING RG-62/U OR RG-71/U. WHEN CABLES WITH SOLID DIELECTRIC ARE USED, INSULATOR BUSHING IS OMITTED AND DIELECTRIC IS CUT TO "Y" DIMENSION.			
UG-253B/U	$\frac{3}{8}$	208	$\frac{3}{32}$
UG-88C/U, UG-88D/U, UG-89B/U, UG-89C/U, UG-260B/U, UG-260C/U, UG-261B/U, UG-261C/U, UG-262B/U, UG-262C/U, UG-291B/U, UG-291C/U, UG-909/U, UG-909A/U, UG-910/U, UG-910A/U, UG-913/U	$\frac{19}{64}$	107	$\frac{7}{64}$