

# BNC

## (Bayonet Navy Connector)



BNC connectors are the most popular RF connectors, featuring a two stud bayonet coupling mechanism, which is particularly useful for frequently coupled and uncoupled RF connections with frequencies up to 4 GHz.

BNC connectors are used in many applications, some of which are flexible networks, instrumentation and computer peripheral interconnections.

### Electrical Specifications

Impedance	50 ohm	75 ohm
Frequency Range	0- 4 GHz	0- 1 GHz
Voltage Rating	500V Max.	
Dielectric Withstanding Voltage	1500V RMS	
VSWR	Straight	1.30 Max.
	Right Angle	1.35 Max.
Contact Resistance	Center Contact	1.5 Milliohms
	Outlet Contact	1.0 Milliohms
RF Leakage	-55 dB Min.at 3.0 GHz	
Insulation Resistance	5000 Megohms Min.	
Insertion Loss	0.2 dB Max at.3.0 GHz	



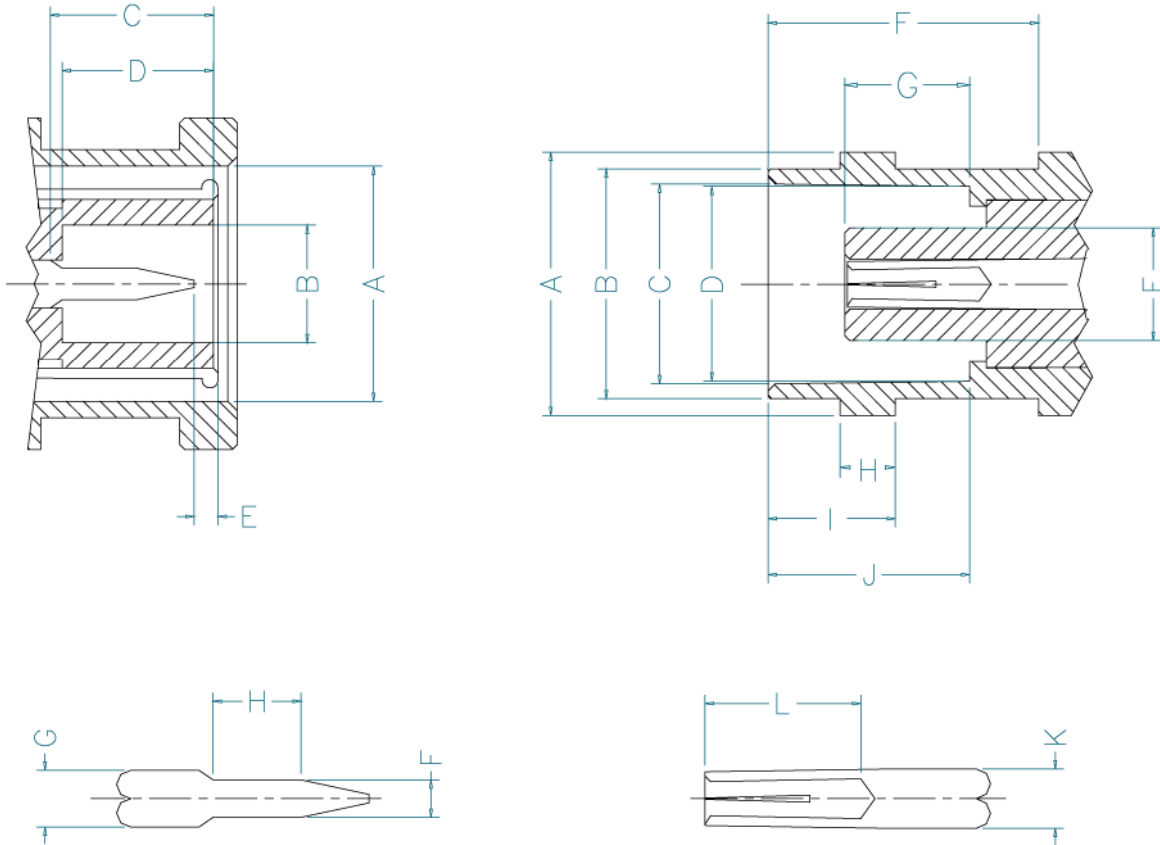
### Material Specifications



		Material	Finish
Body		Brass	Nickel or Gold
Center Contact	Male	Brass	Gold
	Female	Brass, Phosphor Bronze Beryllium Copper	Gold
Insulator		Teflon or Delrin	--
Gasket		Silicone Rubber	--
Crimp Ferrule		Annealed Copper	Same as Body

※These characteristics are typical and may not apply to all connectors.

# BNC Connectors Interface Mating Dimensions



## Plug (Male)

Letter	Millimeters (Inches)	
	Min.	Max.
A	9.78 (0.385)	9.91 (0.390)
B	4.83 (0.190)	—
C	5.33 (0.210)	5.84 (0.230)
D	5.28 (0.208)	5.79 (0.228)
E	0.08 (0.003)	1.02 (0.040)
F	1.32 (0.052)	1.37 (0.054)
G	2.06 (0.081)	2.21 (0.087)
H	1.98 (0.078)	—

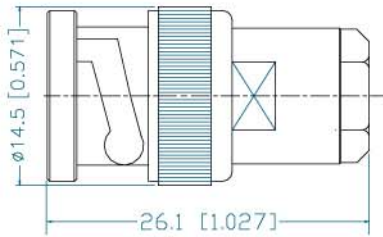
## Jack (Female)

Letter	Millimeters (Inches)	
	Min.	Max.
A	10.97 (0.432)	11.07 (0.436)
B	9.60 (0.378)	9.70 (0.382)
C	8.31 (0.327)	8.46 (0.333)
D	8.10 (0.319)	8.15 (0.321)
E	—	4.72 (0.186)
F	10.52 (0.414)	—
G	—	4.72 (0.186)
H	1.91 (0.075)	2.06 (0.081)
I	5.18 (0.204)	5.28 (0.208)
J	8.31 (0.327)	8.51 (0.335)
K	2.06 (0.081)	2.21 (0.087)
L	4.95 (0.195)	—



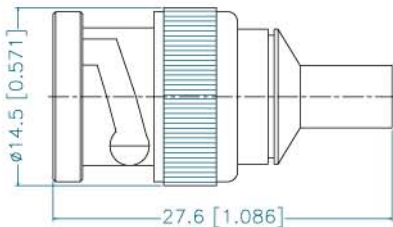
## BNC, Plug Clamp Type

- Part Number : **BNC1-6001**
- Impedance : 50,75
- Cable : As Specified By Customers



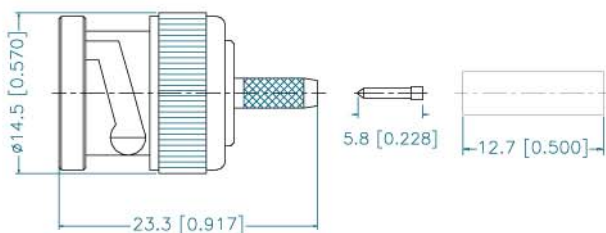
## BNC, Plug Molding Type

- Part Number : **BNC1-6002**
- Impedance : 50,75
- Cable : As Specified By Customers



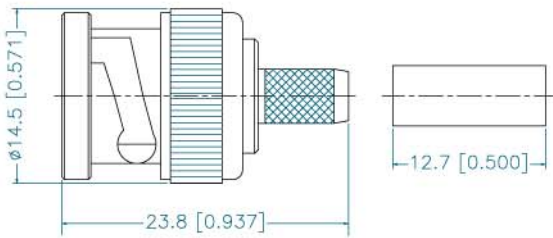
## BNC, Plug Crimp Type (Pin In Pin)

- Part Number : **BNC1-6003-316**
- Impedance : 50
- Cable : As Specified By Customers



## BNC, Plug Crimp Type

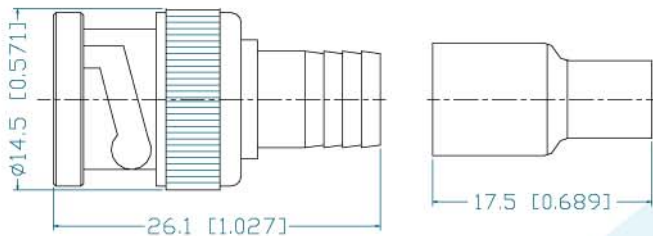
- Part Number : **BNC1-6003A**
- Impedance : 50,75
- Cable : As Specified By Customers



BNC

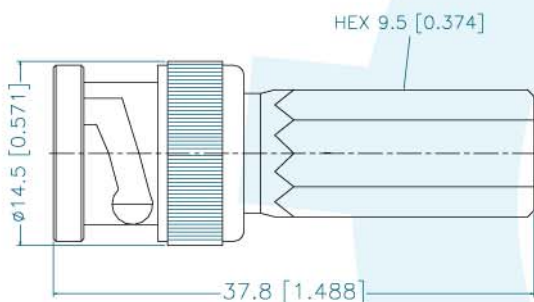
## BNC, Plug Crimp Type

- Part Number : **BNC1-6004**
- Impedance : 50,75
- Cable : As Specified By Customers



## BNC, Plug Twist-On Type

- Part Number : **BNC1-6005**
- Impedance : 50,75
- Cable : As Specified By Customers

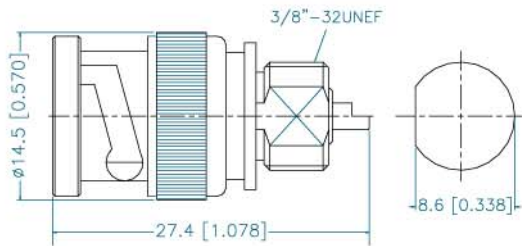




## BNC, Plug Bulkhead Type (Front Mount)

■ Part Number : **BNC1-6006C**

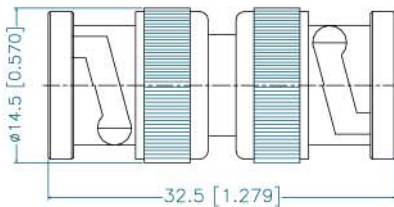
■ Impedance : 50



## BNC, Plug To Plug Adaptor

■ Part Number : **BNC1-6007**

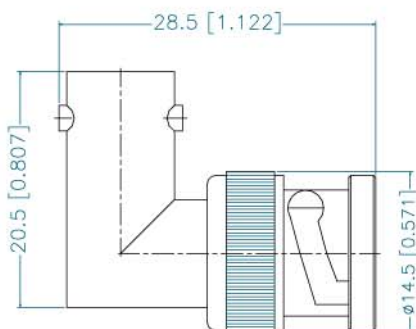
■ Impedance : 50,75



## BNC, Plug To Jack Adaptor, Right Angle

■ Part Number : **BNC1-6008**

■ Impedance : 50,75

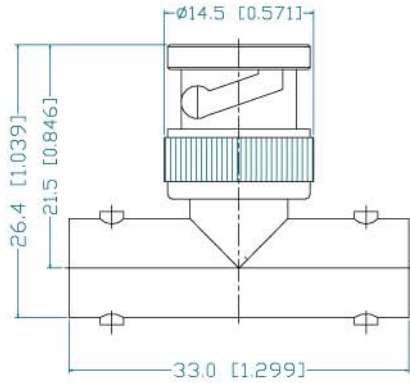




## BNC, Jack To Plug To Jack Adaptor

■ Part Number : **BNC1-6009**

■ Impedance : **50,75**

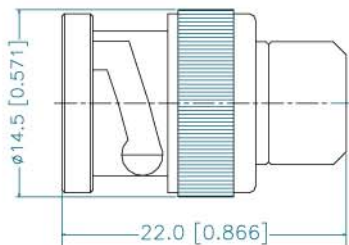


BNC

## BNC, Plug Terminator

■ Part Number : **BNC1-6011B**

■ Impedance : **50,75**

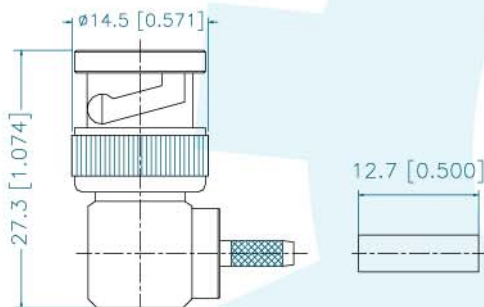


## BNC, Plug Crimp Type, Right Angle

■ Part Number : **BNC1-6015**

■ Impedance : **50,75**

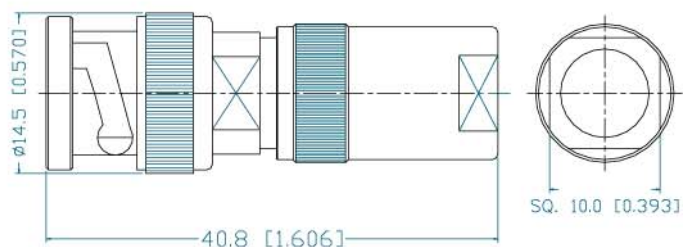
■ Cable : **As Specified By Customers**





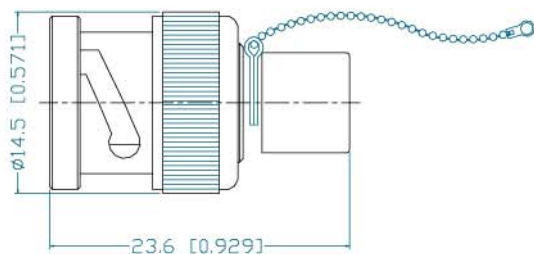
## BNC, Plug Clamp Type

- Part Number : **BNC1-6017**
- Impedance : 50
- Cable : As Specified By Customers



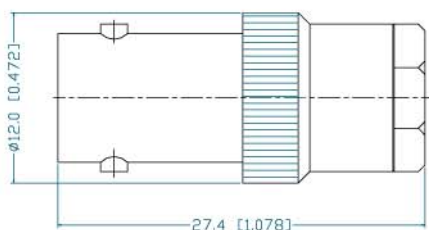
## BNC, Plug Terminator (Protective Cap)

- Part Number : **BNC1-6020**
- Impedance : 50



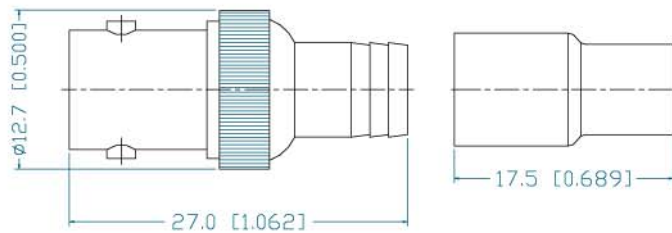
## BNC, Jack Clamp Type

- Part Number : **BNC1-6501**
- Impedance : 50
- Cable : As Specified By Customers



## BNC, Jack Crimp Type

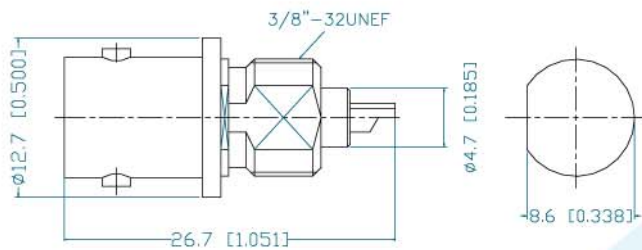
- Part Number : **BNC1-6502**
- Impedance : **50,75**
- Cable : **As Specified By Customers**



BNC

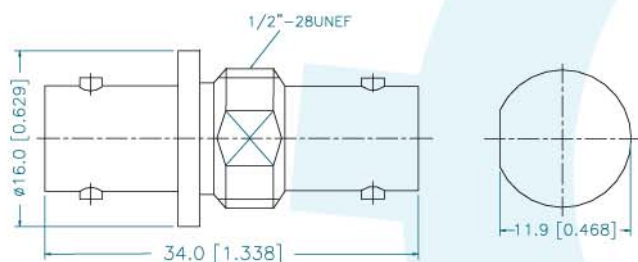
## BNC, Jack Bulkhead Type(Front Mount)

- Part Number : **BNC1-6504**
- Impedance : **50,75**



## BNC, Jack To Jack Bulkhead Adaptor

- Part Number : **BNC1-6505**
- Impedance : **50,75**

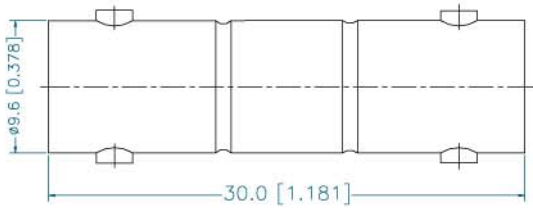






## BNC, Jack To Jack Adaptor

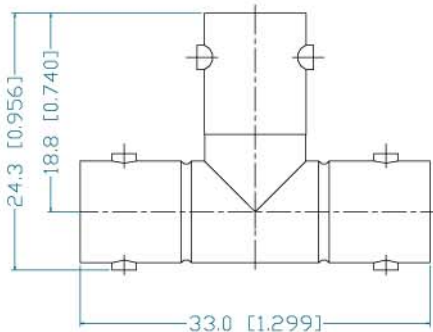
- Part Number : **BNC1-6506**
- Impedance : 50,75



BNC

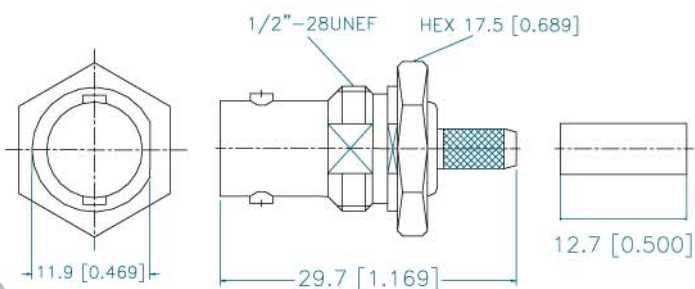
## BNC, Jack To Jack To Jack Adaptor

- Part Number : **BNC1-6507**
- Impedance : 50,75



## BNC, Jack Bulkhead Crimp Type (Waterproof)

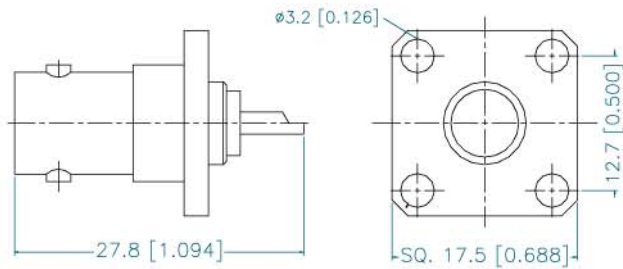
- Part Number : **BNC1-6508**
- Impedance : 50,75
- Cable : As Specified By Customers



## BNC, Jack Panel Mount (4 Hole Flange)

■ Part Number : **BNC1-6509**

■ Impedance : 50,75

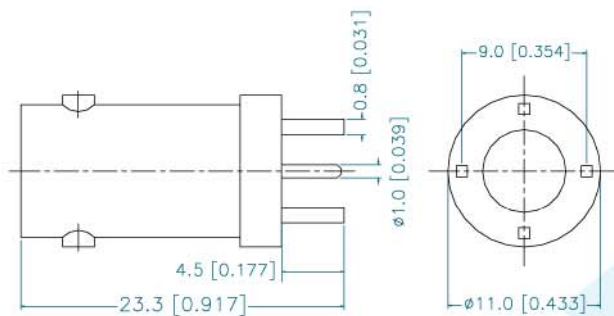


BNC

## BNC, Jack For P.C.B Mount (4 Legs)

■ Part Number : **BNC1-6510D**

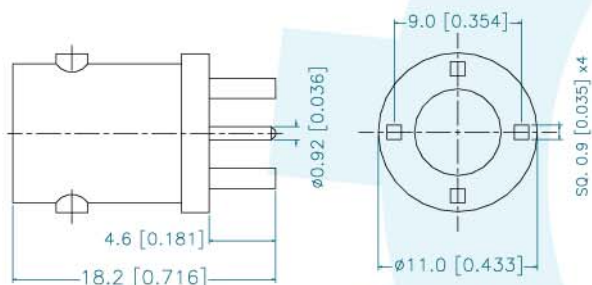
■ Impedance : 50



## BNC, Jack For P.C.B Mount (4 Legs)

■ Part Number : **BNC1-6510F**

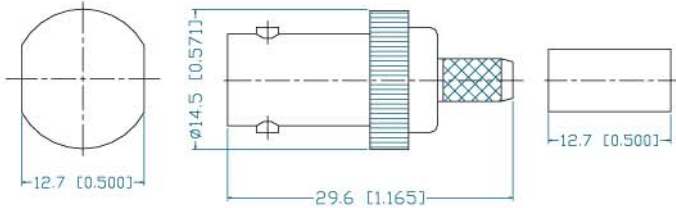
■ Impedance : 50





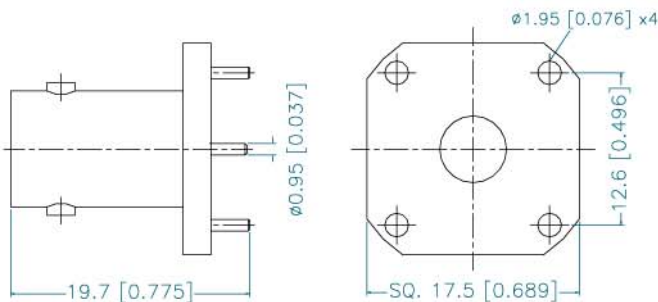
## BNC, Jack Crimp Type

- Part Number : **BNC1-6512**
- Impedance : 50,75
- Cable : As Specified By Customers



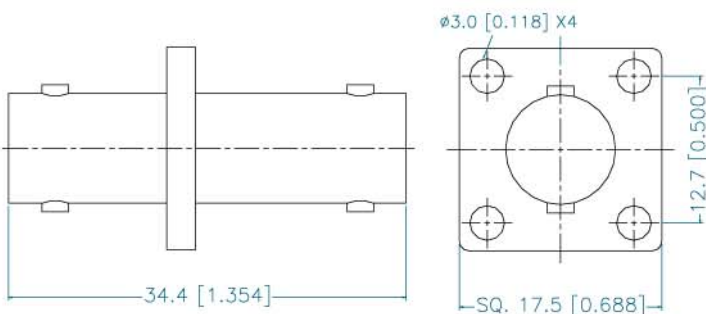
## BNC, Jack For P.C.B Mount (4 Legs)

- Part Number : **BNC1-6513A**
- Impedance : 50,75



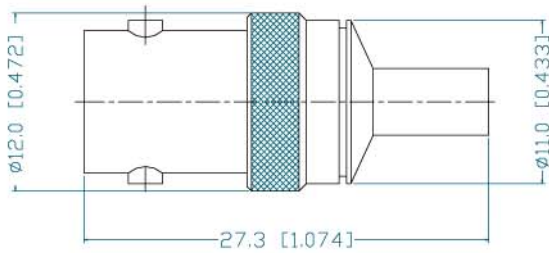
## BNC, Jack To Jack Panel Mount Adaptor (4 Hole Flange)

- Part Number : **BNC1-6514**
- Impedance : 50,75



## BNC, Jack Molding Type

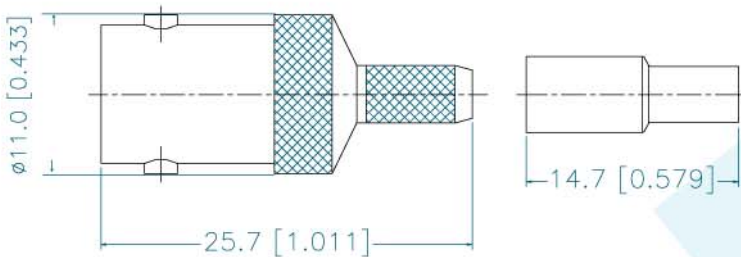
- Part Number : **BNC1-6515A**
- Impedance : 50,75
- Cable : As Specified By Customers



BNC

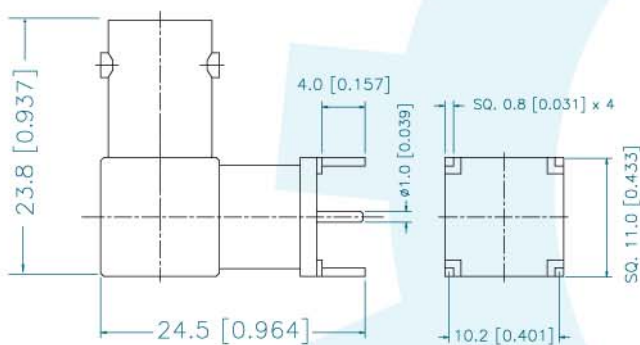
## BNC, Jack Crimp Type

- Part Number : **BNC1-6515G**
- Impedance : 50,75
- Cable : As Specified By Customers



## BNC, Jack For P.C.B Mount (4 Legs), Right Angle

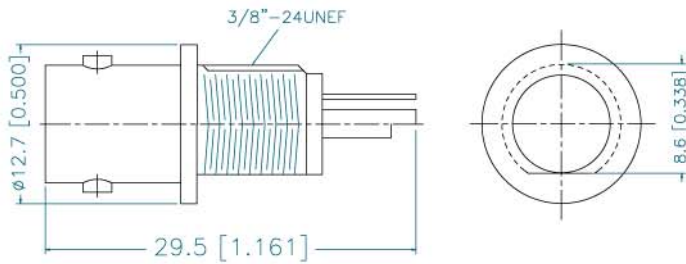
- Part Number : **BNC1-6516**
- Impedance : 50





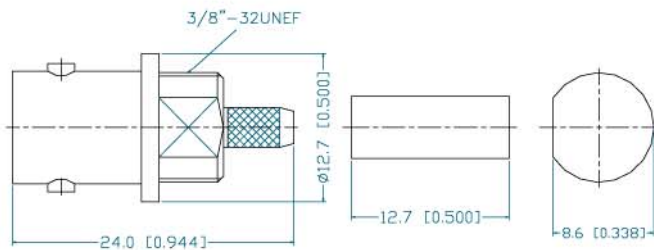
## BNC, Jack Bulkhead Type (Isolated - Front Mount)

- Part Number : **BNC1-6517**
- Impedance : 50



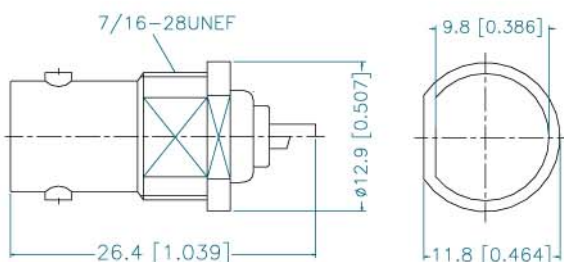
## BNC, Jack Bulkhead Crimp Type (Front Mount)

- Part Number : **BNC1-6524**
- Impedance : 50
- Cable : **As Specified By Customers**



## BNC, Jack Bulkhead Type (Rear Mount)

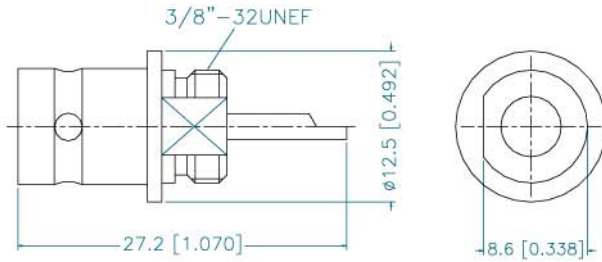
- Part Number : **BNC1-6537**
- Impedance : 50





## BNC, Jack Bulkhead Type

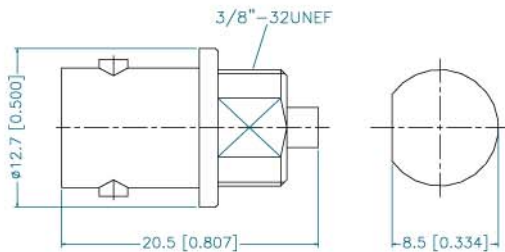
- Part Number : **BNC1-6538**
- Impedance : 50
- Cable : As Specified By Customers



BNC

## BNC, Jack Bulkhead Solder Type (Front Mount)

- Part Number : **BNC1-6539**
- Impedance : 50
- Cable : As Specified By Customers



## BNC, Jack Crimp/Solder Type

- Part Number : **BNC1-6540**
- Impedance : 50
- Cable : As Specified By Customers

