

General Description

Delta HN series connectors are medium-size, 50 Ω impedance connectors with 3/4-20 threaded coupling and good power handling capability. They are best suited for use with cables in the range of .350" to .450" diameter, but are available for other cables from .200" to over 1" diameter. Our extensive line of HN receptacles includes configurations for virtually any packaging requirement, and we can supply any adapter or accessory you need to complete your system design. Adapters between HN and other series are shown starting on page 176.

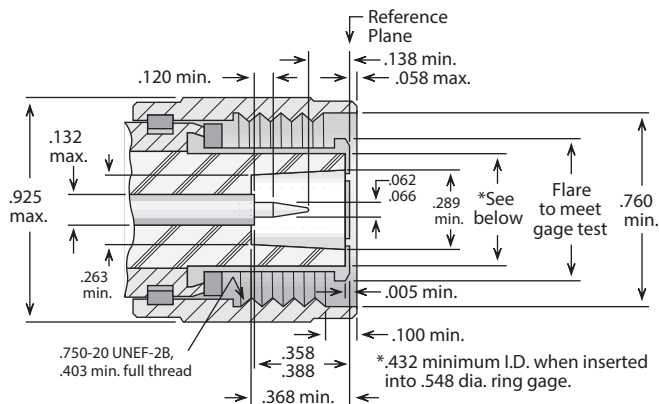
Our HN series product line is still growing, so please call if you don't see what you need.

HN Configurations

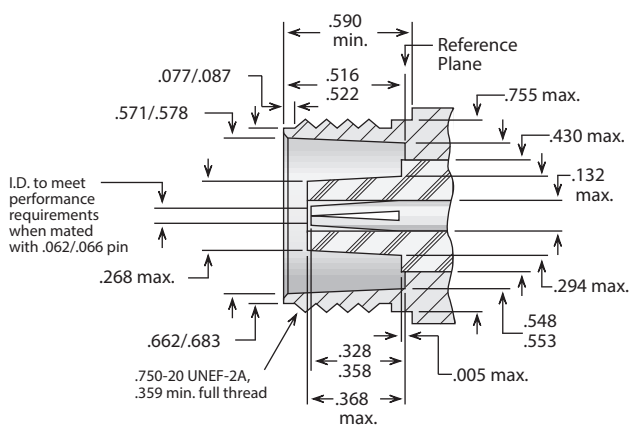
Straight Cable Plugs	46	Panel Plug Receptacles.....	48
Right Angle Cable Plugs	46	Bulkhead Jack Receptacles	48
Straight Cable Jacks	47	Dummy Receptacles	48
Panel Cable Jacks	47	Dust Caps.....	48
Panel Jack Receptacles (square flange)	48	In-Series Adapters	49

HN Specifications*

Plug Interface**



Jack Interface**



**Some proportions altered to illustrate detail.

Electrical:

Nominal Impedance: 50 ohms.
 Frequency Range: DC-4 GHz.
 Voltage Rating: 1,500 volts RMS.
 Dielectric Withstanding Voltage: 5,000 VRMS.
 Insulation Resistance: 5,000 megohms.

Materials/Finishes:

Insulators: Teflon per ASTM D1710, or Rexolite per MIL-P-77.

Male Contacts: Brass per ASTM B16.

Female Contacts: Beryllium Copper per ASTM B196.

Contact Plating: Silver per ASTM B700, or Gold per MIL-DTL-45204.

Gaskets: Silicone rubber per ZZ-R-765, Class II, Grade 50.

Other Metal Parts: Brass per ASTM B16, plated:
 Silver - ASTM B700, or
 Nickel - AMS-QQ-N-290.

All other specifications are in accordance with the latest issues of MIL-PRF-39012, or MIL-C-3643, or other applicable MIL specifications, and interfaces are in accordance with MIL-STD-348.

*These specifications are typical and may not apply to all connectors. Detailed specifications for individual connectors are available on request.

Straight Plug - Military Clamp For Flexible Cable

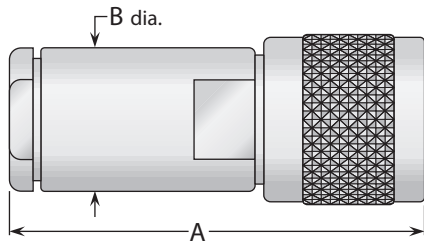


Figure 1

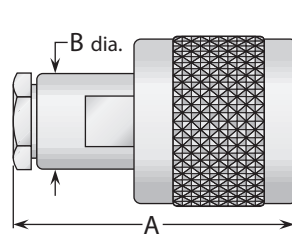


Figure 2

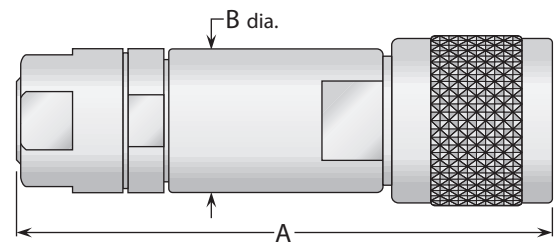


Figure 3 (Includes armor clamp)

Cable Group	Figure	Dimensions		Plating		Delta P/N	Assembly Procedure/Trim Code
		A	B	Body	Contact		
2, 3	1	2.38	.690	Nickel	Silver	UG-59B/U	***
2, 3	1	2.25	.750	Nickel	Silver	UG-59E/U	A/26
2, 3	1	2.81	.690	Nickel	Silver (C)	UG-1213/U	***
4	1	2.23	.750	Nickel	Silver (C)	1601079N001-000	***
5, 6	2	1.50	.500	Nickel	Silver	1601015N000-000	A/17
15	3	2.84	.750	Nickel	Silver	UG-925B/U	D/05
16	1	2.41	.880	Nickel	Silver	UG-494B/U	A/27
17	1	2.59	1.31	Nickel	Silver	UG-495D/U	A/28
17	3	3.53	1.31	Nickel	Silver	UG-1148/U	***
20	3	3.20	1.31	Nickel	Silver	UG-926A/U	D/06

Right Angle Plug - Military Clamp For Flexible Cable

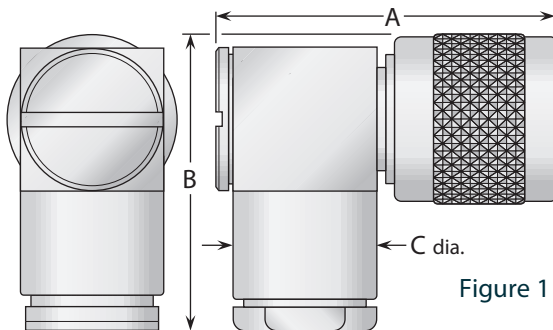


Figure 1

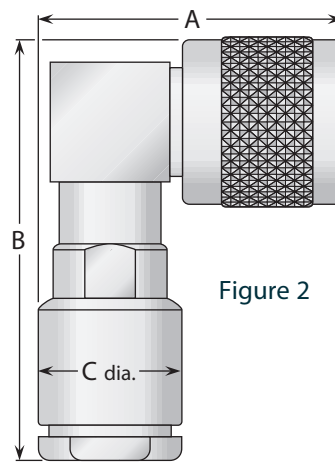


Figure 2

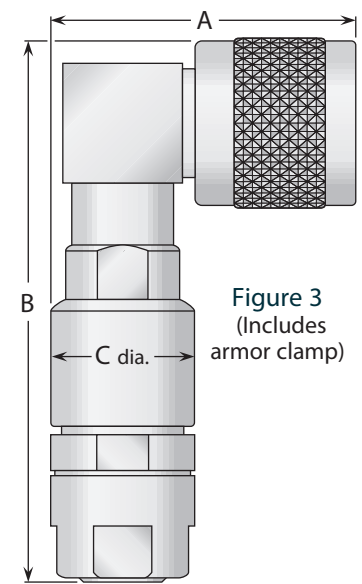


Figure 3 (Includes armor clamp)

Cable Group	Figure	Dimensions			Plating		Delta P/N	Assembly Procedure/Trim Code
		A	B	C	Body	Contact		
2, 3	1	1.73	1.63	.750	Nickel	Silver (C)	1605004N001-002	A/29
2, 3	2	1.53	2.25	.690	Nickel	Silver (C)	1604004N001-000	***
2, 3	2	1.56	2.48	.750	Nickel	Silver	1604005N000-000	A/27
4	2	1.56	2.48	.750	Nickel	Silver (C)	1604079N001-001	***
15	3	1.56	3.05	.750	Nickel	Silver	1604006N000-000	D/05

See page 209 for cable groups. • Assembly procedures start on page 210. • ***Contact factory for cable assembly instructions.
(C) in contact plating column indicates captive contact. • See page 6 for alternate body plating information.

Straight Jack - Military Clamp For Flexible Cable

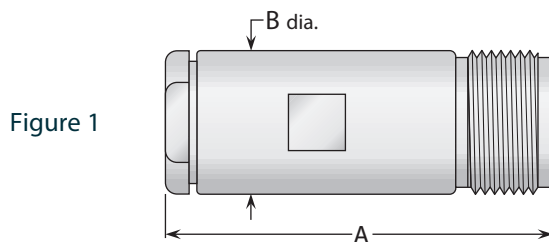
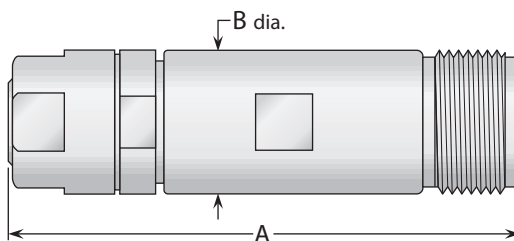


Figure 2
(Includes armor clamp)



Cable Group	Figure	Dimensions		Plating		Delta P/N	Assembly Procedure/ Trim Code
		A	B	Body	Contact		
2, 3	1	2.53	.690	Nickel	Silver	UG-60B/U	***
2, 3	1	2.03	.750	Nickel	Silver	UG-60E/U	A/26
2, 3	1	2.94	.690	Nickel	Silver (C)	UG-1214/U	***
15	2	2.63	.750	Nickel	Silver	UG-927B/U	D/05
17	1	2.53	1.31	Nickel	Silver	UG-333C/U	A/28

Panel Jack - Military Clamp For Flexible Cable

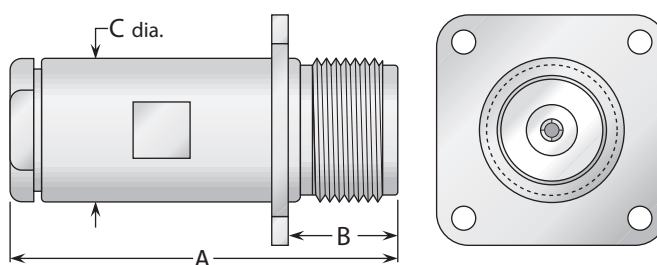


Figure 1

Cable Group	Fig.	Dimensions			Mounting Figure	Plating		Delta P/N	Assembly Procedure/ Trim Code
		A	B	C		Body	Contact		
2, 3	1	2.53	.590	.690	40	Nickel	Silver	UG-61B/U	***
2, 3	1	2.03	.590	.750	40	Nickel	Silver	UG-61E/U	A/26
2, 3	1	2.03	.590	.750	36	Nickel	Silver	UG-427C/U	A/26

See page 209 for cable groups. • Assembly procedures start on page 210.
 ***Contact factory for cable assembly instructions. • See page 208 for mounting dimensions.
 (C) in contact plating column indicates captive contact. • See page 6 for alternate body plating information.

Panel & Bulkhead Receptacles

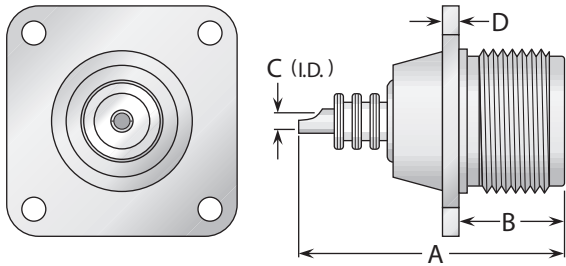


Figure 1
(Panel jack receptacle)

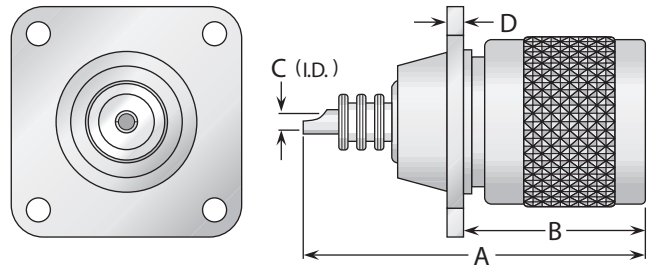


Figure 2
(Panel plug receptacle)

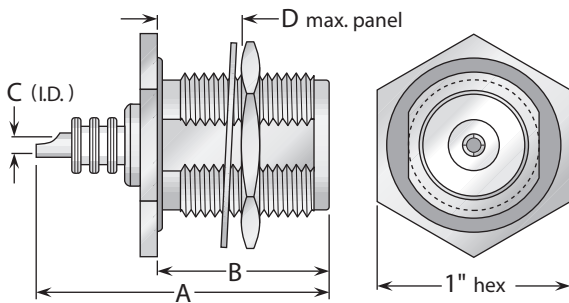


Figure 3
(Bulkhead jack receptacle)

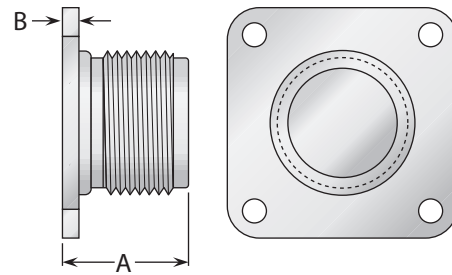


Figure 4
(Dummy receptacle)

Figure	Dimensions				Mounting Figure	Plating		Delta P/N
	A	B	C	D		Body	Contact	
1	1.50	.590	.106	.080	40	Nickel	Silver (C)	UG-496/U
2	1.88	.940	.106	.080	40	Nickel	Silver (C)	1623000N401-000
3	1.55	.890	.106	.250	69	Nickel	Silver (C)	1621000N691-000
4	.875	.125	—	—	34*	Nickel	—	1663000N340-000

* Except mounting holes are .120 diameter.

Dust Caps

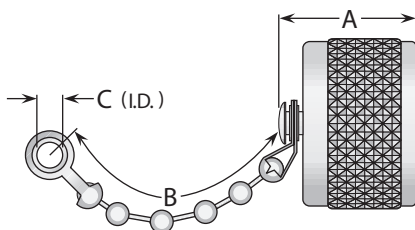


Figure 1

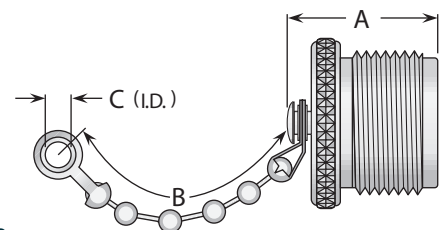
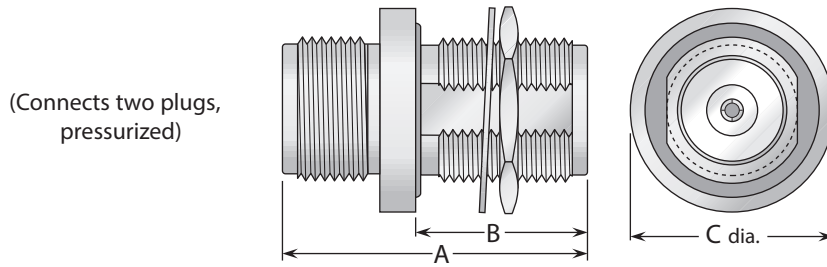


Figure 2

Figure	Dimensions			Features	Plating		Delta P/N
	A	B	C		Body	Contact	
1	.700	3.50	.144	Bead chain	Nickel	—	1632000N000-000
2	.700	3.50	.144	Bead chain	Nickel	—	1633000N000-000

- See page 208 for mounting dimensions.
- (C) in contact plating column indicates captive contact.
- See page 6 for alternate body plating information.
- Dust caps available with other chain styles and lengths.

Bulkhead Jack - Jack Adapter



Dimensions			Max. Panel	Mounting Figure	Plating		Delta P/N
A	B	C			Body	Contact	
1.94	1.06	1.06	.250	69	Nickel	Silver (C)	UG-1019A/U

Straight Adapters

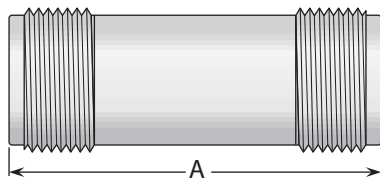


Figure 1
(Straight jack-jack;
connects two plugs)

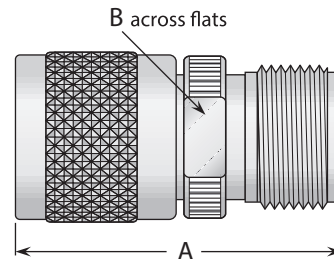


Figure 2
(Straight plug-jack; connects one
plug and one jack)

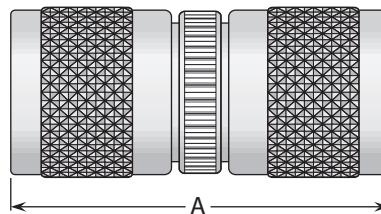


Figure 3
(Straight plug-plug;
connects two jacks)

Figure	Dimension		Plating		Delta P/N
	A	B	Body	Contact	
1	2.00	—	Nickel	Silver (C)	1628000N000-000
2	1.63	.750	Nickel	Silver (C)	1634000N001-000
3	1.94	—	Nickel	Silver (C)	1627000N000-000

- See page 208 for mounting dimensions.
- (C) in contact plating column indicates captive contact.
- See page 6 for alternate body plating information.

Right Angle & Tee Adapters

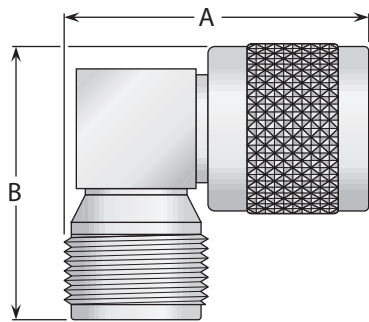


Figure 1
 (Right angle jack-plug; connects one plug and one jack)

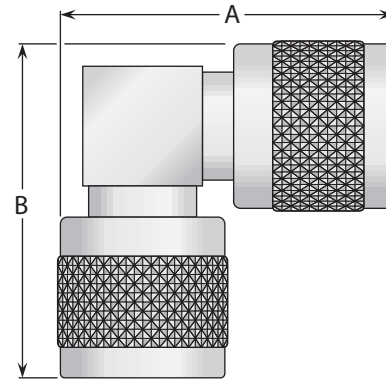


Figure 2
 (Right angle plug-plug; connects two jacks)

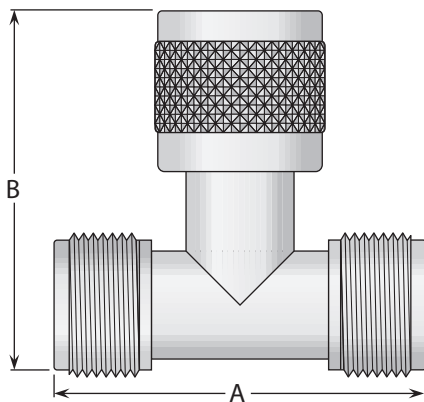


Figure 3
 (Tee jack-plug-jack; connects two plugs and one jack)

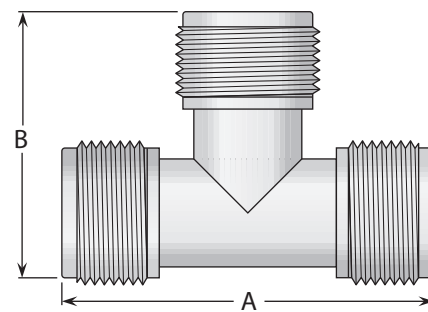


Figure 4
 (Tee jack-jack-jack; connects three jacks)

Figure 5
 (Tee plug-jack-plug; connects two jacks and one plug)

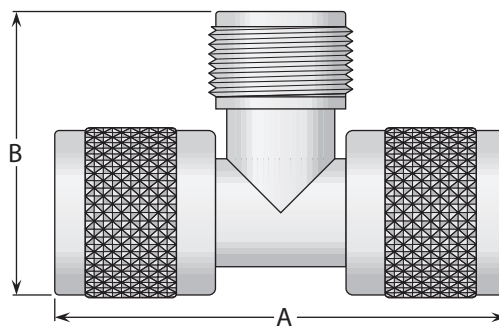


Figure	Dimensions		Plating		Delta P/N
	A	B	Body	Contact	
1	1.50	1.38	Nickel	Silver (C)	UG-212C/U
2	1.63	1.63	Nickel	Silver (C)	1637000N000-000
3	1.94	1.88	Nickel	Silver (C)	1630000N000-000
4	1.94	1.28	Nickel	Silver (C)	1638000N000-000
5	2.33	1.50	Nickel	Silver (C)	UG-1109/U

• (C) in contact plating column indicates captive contact. • See page 6 for alternate body plating information.