



SERIES SHV, HIGH VOLTAGE CONNECTORS

DESCRIPTION

HUBER+SUHNER SHV (Safe High Voltage) connectors provide more secure handling: center contacts are well recessed to prevent shock hazards in unmated condition. All inner contacts are fully captivated and will withstand axial forces of 100 N minimum. When mating a connector pair the outer conductor contact is made prior to the inner conductor contacts.

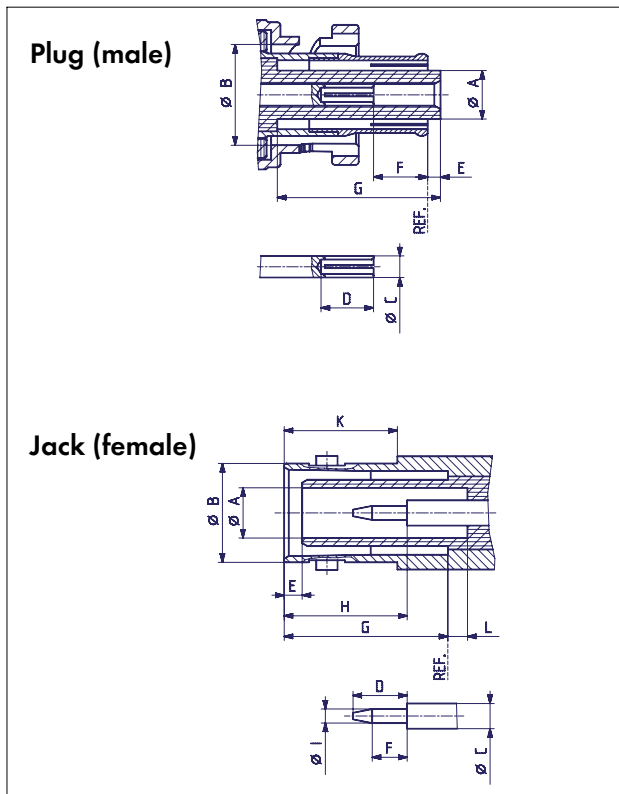
SHV connectors are suitable for all high voltage applications up to 5 kV DC or 3.5 kV rms. These connectors are typically used in nuclear instruments or test and measurement equipment. Voltages are valid for both, the mated and the unmated condition.

CONTENTS

PAGE

Description	261
Interface dimensions	261
Interface dimensions in mm / inches	261
Technical data	262
Cable connectors	264
Receptacles with solder end	265

INTERFACE DIMENSIONS



INTERFACE DIMENSIONS (MM / INCHES)

	Plug		Jack	
	min.	max.	min.	max.
A	4.57/.180	4.72/.186	4.83/.190	4.98/.196
B	9.78/.385	9.91/.390	9.60/.378	9.70/.382
C	2.06/.081	–	2.06/.081	–
D	5.44/.214	–	5.26/.207	5.44/.214
E	1.17/.046	1.63/.064	1.55/.061	1.98/.078
F	4.42/.174	–	3.30/.130	–
G	15.90/.626	16.10/.634	15.90/.626	16.00/.630
H	–	–	11.59/.456	12.70/.500
I	–	–	1.32/.052	1.37/.054
K	–	–	10.85/.427	–
L	–	–	1.63/.064	2.18/.086

Interface dimensions conformable to the Standards:

International: **IEC 60498, NIM ND-545**
 USA: **MIL-STD-348A/314**
ANSI N 24.4

IP rating (interface, mated) IP64

SHV

TECHNICAL DATA

ELECTRICAL DATA	REQUIREMENTS
Impedance	50 Ω
Frequency range	DC ... 300 MHz
Dielectric withstanding voltage (at sea level)	5.0 kV rms, 50 Hz (depending on cable)
Working voltage (at sea level)	3.5 V rms, 50 Hz (depending on cable)
Insulation resistance	$\geq 10^6$ M Ω
Contact resistance - centre contact - outer contact	≤ 2 m Ω ≤ 1.5 m Ω
Corona extinction voltage (at 21000 m)	≥ 350 V rms, 50 Hz (depending on cable)
Current rating, continuous	≤ 10 A

MECHANICAL DATA	REQUIREMENTS
Coupling nut torque	7 Ncm ... 28 Ncm / 0.6 in. lbs ... 2.5 in. lbs
Coupling nut retention force	≥ 450 N / 101.2 lbs
Contact captivation	≥ 27 N / 6.1 lbs
Cable retention force ¹⁾	see pages 28 - 34
Durability (matings)	≥ 500

1) Value considers maximum load of the cables without irreversible variations of specifications.

ENVIRONMENTAL DATA	TEST CONDITIONS (PTFE)	TEST CONDITIONS (POLYSTYROL)
Temperature range	- 65°C ... + 165°C / - 85 °F ... + 329 °F	- 55°C ... + 100°C / - 67 °F ... + 212 °F
Climatic category	IEC \rightarrow 55/155/21	
Thermal shock	MIL-STD-202, Method 107, Condition B	
Moisture resistance	MIL-STD-202, Method 103, Condition B	
Corrosion	Saltspray test acc. to MIL-STD-202, Method 101, Condition B	
Vibration	MIL-STD-202, Method 204, Condition A	
Shock	MIL-STD-202, Method 213, Condition I	
Radiation resistance (with polystyrene dielectric)	$\geq 10^9$ rad	

MATERIAL DATA		
CONNECTOR PARTS	MATERIAL	PLATING
Bodies	brass	SUCOPLATE®
Pin contacts	brass	gold
Socket contacts	copper-beryllium alloy	gold
Crimp ferrules	copper	SUCOPLATE®
Insulators	PTFE or PFA	
Insulators (radiation resistant types)	polystyrol, crosslinked	

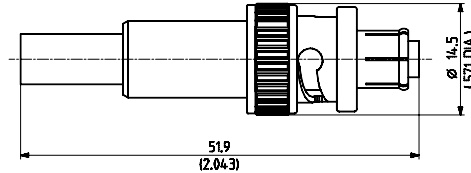
Some connectors may have a specification that differs from the above mentioned data.

The products are designed and guaranteed to pass the above mentioned test procedures. Any additional or different requirement arising from specific applications or environmental conditions which is not covered by these test procedures is subject to request.

CABLE CONNECTORS

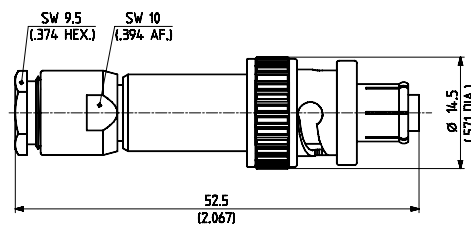
Straight cable plugs (male)

- > HUBER+SUHNER® full crimp
- > taper sleeves see page 406



HUBER+SUHNER type	Item no.	Cable group (example)	Packaging	Assembly instruction	Crimp insert
11_SHV-50-3-1/133_NE	22541987	U7 (RG 58 C/U)	single	3092	2 B
11_SHV-50-4-1/133_NE	22541992	U16 (RG 59 B/U)	single	3092	2 C

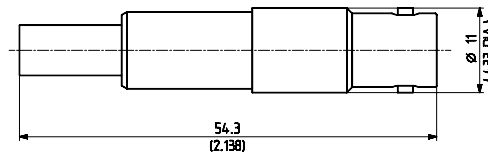
- > cable entry clamp



HUBER+SUHNER type	Item no.	Cable group (example)	Packaging	Assembly instruction	Notes
11_SHV-50-3-10/133_NE	22541990	U7 (RG 58 C/U)	single	3094	
11_SHV-50-4-10/133_NE	22541996	U15 (RG 59 B/U)	single	3094	

Straight cable jacks (female)

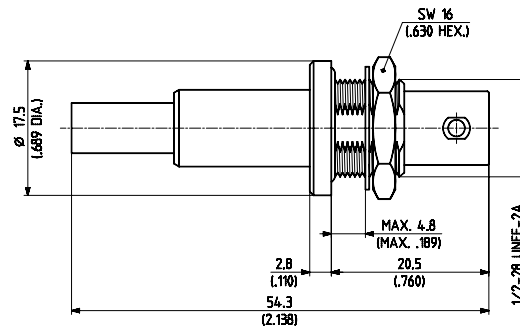
- > HUBER+SUHNER® full crimp
- > taper sleeves see page 406



HUBER+SUHNER type	Item no.	Cable group (example)	Packaging	Assembly instruction	Crimp insert
21_SHV-50-3-1/133_NE	22541998	U7 (RG 58 C/U)	single	3092	2 B
21_SHV-50-4-1/133_NE	22542001	U16 (RG 59 B/U)	single	3092	2 C

Straight bulkhead cable jacks (female)

- > HUBER+SUHNER® full crimp
- > with panel seal
- > taper sleeves see page 406

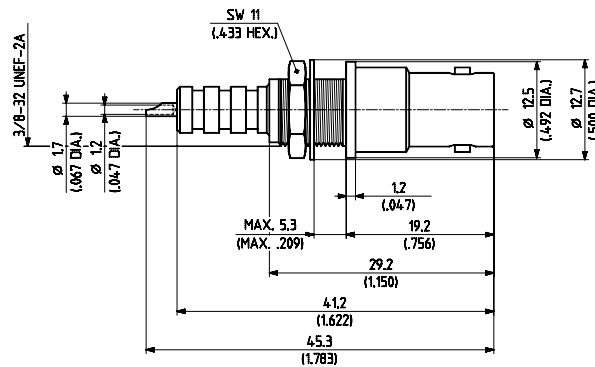


HUBER+SUHNER type	Item no.	Cable group (example)	Packaging	Assembly instruction/ Mounting hole	Crimp insert
24_SHV-50-3-1/133_NE	22641281	U7 (RG 58 C/U)	single	3092 / ML 4	2 B
24_SHV-50-4-1/133_NE	22544592	U16 (RG 59 B/U)	single	3092 / ML 4	2 C

RECEPTACLES WITH SOLDER END

Receptacles, jacks (female)

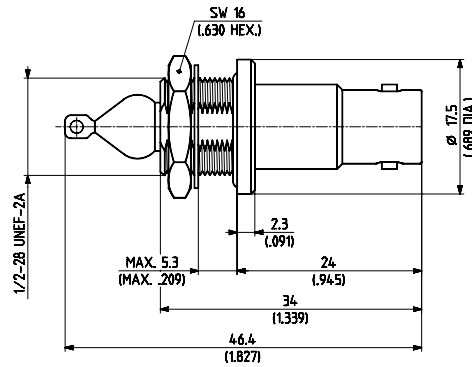
- > bulkhead mounted
- > without panel seal



HUBER+SUHNER type	Item no.	Packaging	Mounting hole	Insulator	Notes
22_SHV-50-0-2/133_NE	22544054	single	ML 2	PTFE	
22_SHV-50-0-6/133_NE	22542007	single	ML 2	polystyrol	radiation resistant

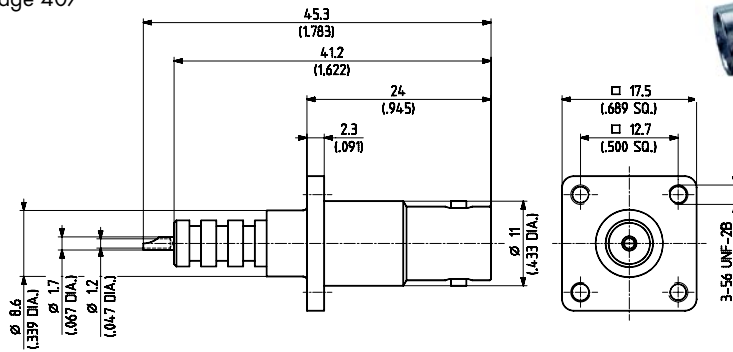
SHV

- > bulkhead mounted
- > hermetically sealed



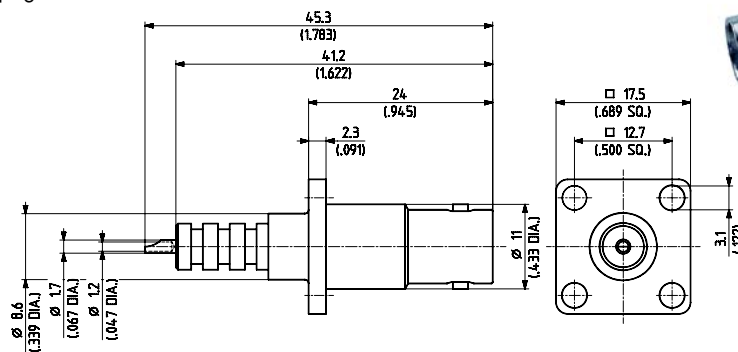
HUBER+SUHNER type	Item no.	Packaging	Mounting hole	Plating body	Notes
22_SHV-50-0-3/100_NE *	22543968	single	ML 4	silver	leak rate 10 ⁻⁶ Torr l/sec.(atm cc/s)

- > panel mounted
- > fastening screws see page 407



HUBER+SUHNER type	Item no.	Packaging	Mounting hole	Notes
23_SHV-50-0-1/133_NE	22542008	single	ML 106	mounting also possible with screws ISO M 2.5

- > panel mounted
- > fastening screws see page 407



HUBER+SUHNER type	Item no.	Packaging	Mounting hole	Notes
23_SHV-50-0-2/133_NE	22542010	single	ML 106	

* RoHS compliant alternative on request