

# S series

Washable rocker and paddle switches



## DISTINCTIVE FEATURES

- Process sealed
- Front and rear sealing
- Process compatible
- Wave solderable
- Washable



## ENVIRONMENTAL SPECIFICATIONS

- Operating temperature : -20 °C to +85 °C (-4 °F to +185 °F)
- Storage temperature : -40 °C to +85 °C (-40 °F to +185 °F)
- Moisture : The insulating materials employed and the complete seal permit the switches to withstand a 56 days moisture test (IEC 68-2-3).
- Solderability : The switches are tested at 235 °C (455 °F) according to IEC 68-2-20 after accelerated aging.



## ELECTRICAL SPECIFICATIONS

- Max. current/voltage rating with resistive load :
  - silver contacts (A) : 4 A 30 VDC
  - brass, gold plated contacts (CD) : 0.4 VA 20 VAC or DC
  - silver, gold plated contacts (AD) : 4 A 30 VDC (300 mA 30 VDC for gold plating)
- Initial contact resistance : 10 mΩ max.
- Insulation resistance : 1,000 MΩ min.
- Dielectric strength : 1,000 Vrms 50 Hz min.
- Electrical life with nominal load :

Contacts	Number of cycles	
	2 positions	3 positions
A	40,000	40,000
CD	100,000	50,000
AD	40,000	40,000

The company reserves the right to change specifications without notice.



# S series

Washable rocker and paddle switches



## GENERAL SPECIFICATIONS

- Mechanical strength : Terminals are strengthened by a bracket or a ground plate ensuring the rigidity of the switch on the board. Actuator strength 10 N max.
- Soldering - thermal shock : The switches are especially designed for flow soldering at 260 °C (500 °F) during 5 seconds owing to high temperature polymer parts.



## MATERIALS

- Case and cover : UL94-V0, polyamide, glass filled or PES
- Actuator : polyamide
- Contacts
  - CD : brass, gold plated
  - A : silver
  - AD : silver, gold plated
- Terminal seal : epoxy

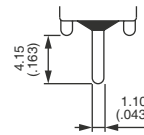
APEM products may be recycled at end-of-life for the re-claiming of valuable metal components.



## ELECTRICAL FUNCTIONS



## TERMINALS



Straight PC

## AGENCY APPROVAL



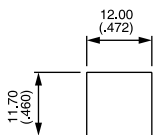
2 A 250 VAC  
4 A 125 VAC

**Availability** : consult factory for details of approved models.

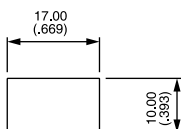
**Marking** : to order switches marked UL, complete appropriate box of ordering format.



## PANEL CUT-OUT



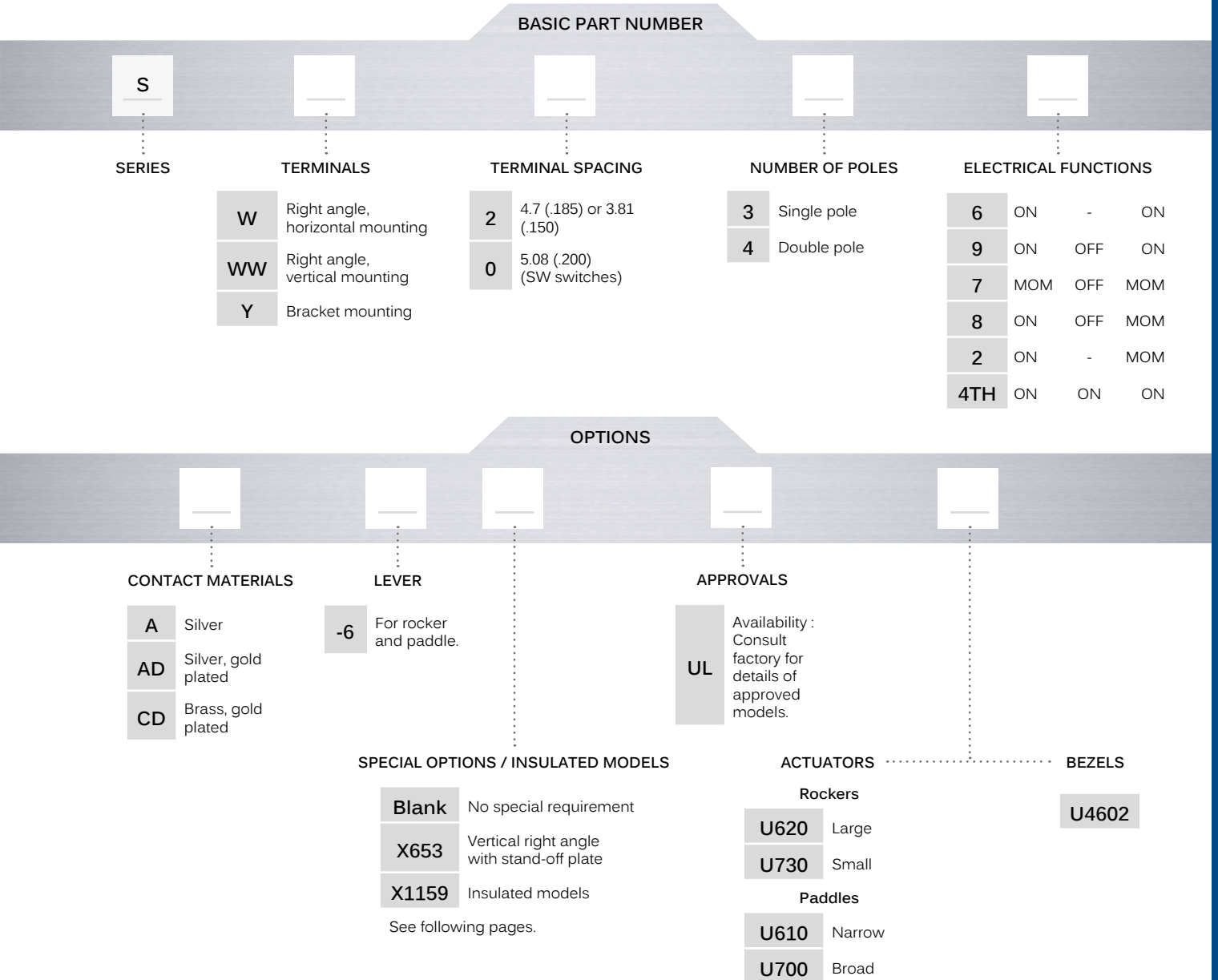
With rocker **U730** or paddle **U700**



With rocker **U620** or paddle **U610**



### BUILD YOUR PART NUMBER



### ABOUT THIS SERIES

On the following pages, you will find successively basic part numbers of switches and options in the same order as in above chart.



**Notice :** please note that not all combinations of above numbers are available. Refer to the following pages for further information.

# S series

Washable rocker and paddle switches

## RIGHT ANGLE TERMINALS - HORIZONTAL SPACING 4.7 (.185)



	Single pole	Double pole	III	II	I
	SW236-6	SW246-6	ON	-	ON
	SW239-6	SW249-6	ON	OFF	ON
	SW237-6	SW247-6	MOM	OFF	MOM
	SW238-6	SW248-6	ON	OFF	MOM
	SW232-6	SW242-6	ON	-	MOM
		SW244TH-6*	ON	ON	ON

\*Function 4 : SP in DP case - TH connection, see "Technical information" on website. Single pole with stand-off plate, double pole without.

## RIGHT ANGLE TERMINALS - VERTICAL



	Single pole	Double pole	III	II	I
	SWW236-6	SWW246-6	ON	-	ON
	SWW239-6	SWW249-6	ON	OFF	ON
	SWW237-6	SWW247-6	MOM	OFF	MOM
	SWW238-6	SWW248-6	ON	OFF	MOM
	SWW232-6	SWW242-6	ON	-	MOM
		SWW244TH-6*	ON	ON	ON

\*Functions 2 and 8 : reversed connection available. Consult factory.

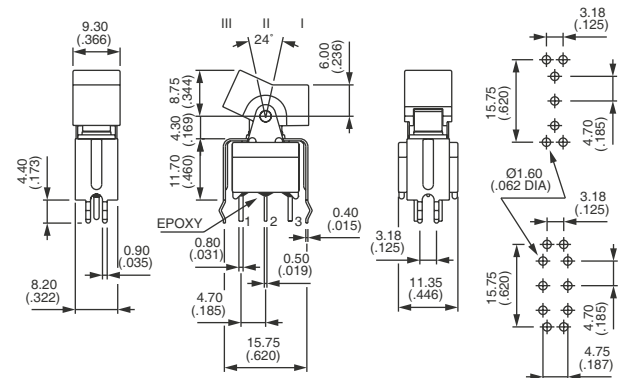
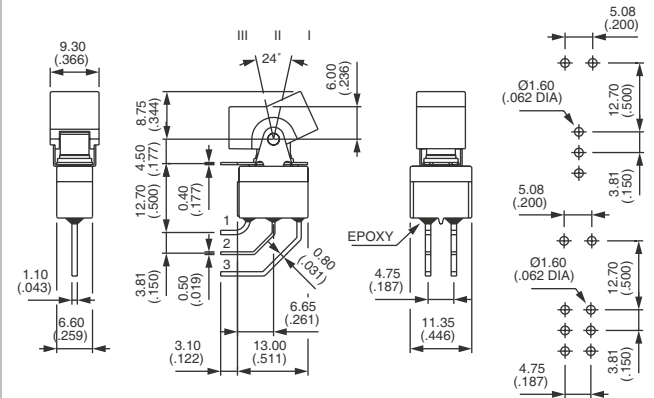
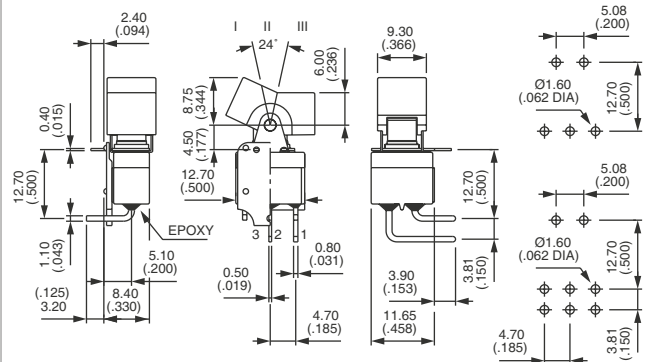
## BRACKET MOUNTING



	Single pole	Double pole	III	II	I
	SY236-6	SY246-6	ON	-	ON
	SY239-6	SY249-6	ON	OFF	ON
	SY237-6	SY247-6	MOM	OFF	MOM
	SY238-6	SY248-6	ON	OFF	MOM
	SY232-6	SY242-6	ON	-	MOM
		SY244TH-6*	ON	ON	ON

\*Function 4 : SP in DP case - TH connection, see "Technical information" on website.

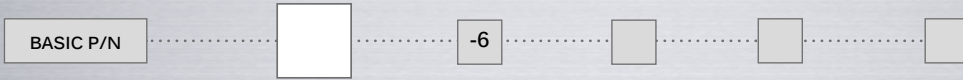
Shown with rocker U620



# S series

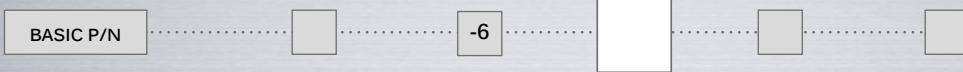
Washable rocker and paddle switches

## CONTACT MATERIALS



- A Silver
- AD Silver, gold plated
- CD Brass, gold plated

## SPECIAL OPTIONS / INSULATED MODELS



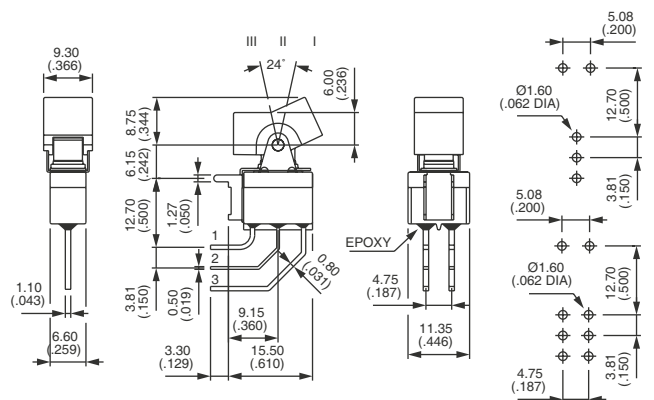
- X601** Silver plated brass contacts  
Current/voltage rating for an electrical life of 20,000 cycles : 0.5 A 30 VDC  
Minimum quantity : 5,000 per type and shipment.
- X653** Vertical right angle with stand-off plate
- X1159** Insulated model protected against E.S.D. up to 12 KV - Vertical right angle  
Available with all actuators shown on next page.

### OPTION X653



	III	II	I
Single pole			
SWW236-6 X653	ON	-	ON
SWW239-6 X653	ON	OFF	ON
SWW237-6 X653	MOM	OFF	MOM
SWW238-6 X653	ON	OFF	MOM
SWW232-6 X653	ON	-	MOM
Double pole			
SWW246-6 X653	ON	-	ON
SWW249-6 X653	ON	OFF	ON
SWW247-6 X653	MOM	OFF	MOM
SWW248-6 X653**	ON	OFF	MOM
SWW242-6 X653**	ON	-	MOM
SWW244TH-6 X653*	ON	ON	ON

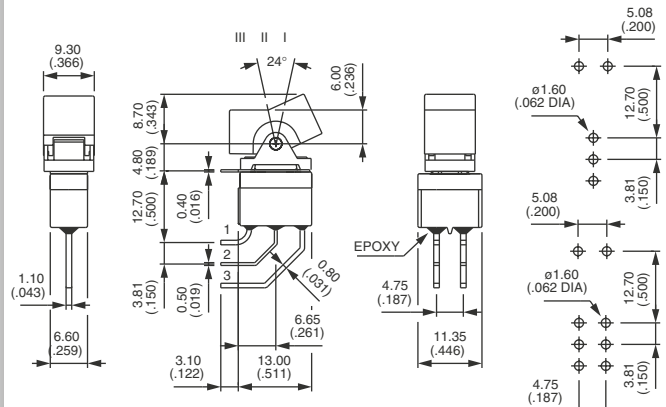
### Shown with rocker U620



### OPTION X1159



	III	II	I
Single pole			
SWW236-6 X1159	ON	-	ON
SWW239-6 X1159	ON	OFF	ON
SWW237-6 X1159	MOM	OFF	MOM
SWW238-6 X1159	ON	OFF	MOM
SWW232-6 X1159	ON	-	MOM
Double pole			
SWW246-6 X1159	ON	-	ON
SWW249-6 X1159	ON	OFF	ON
SWW247-6 X1159	MOM	OFF	MOM
SWW248-6 X1159**	ON	OFF	MOM
SWW242-6 X1159**	ON	-	MOM
SWW244TH-6 X1159*	ON	ON	ON

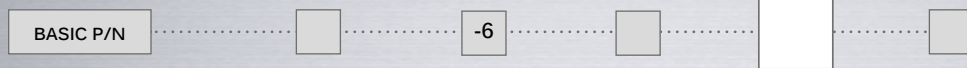


\* Function 4 : SP in DP case - TH connection, see "Technical information" on website.  
 \*\* Functions 2 and 8 : reversed connection available. Consult factory.

# S series

Washable rocker and paddle switches

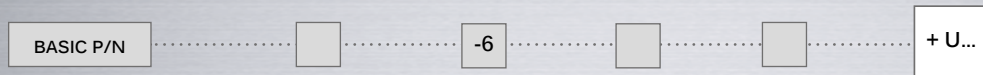
### AGENCY APPROVAL



**UL**  
**Blank** No agency approval required

**Availability** : consult factory for details of approved models.  
**Marking** : to order switches marked with the UL symbol, complete above box with "UL".

### ACTUATORS

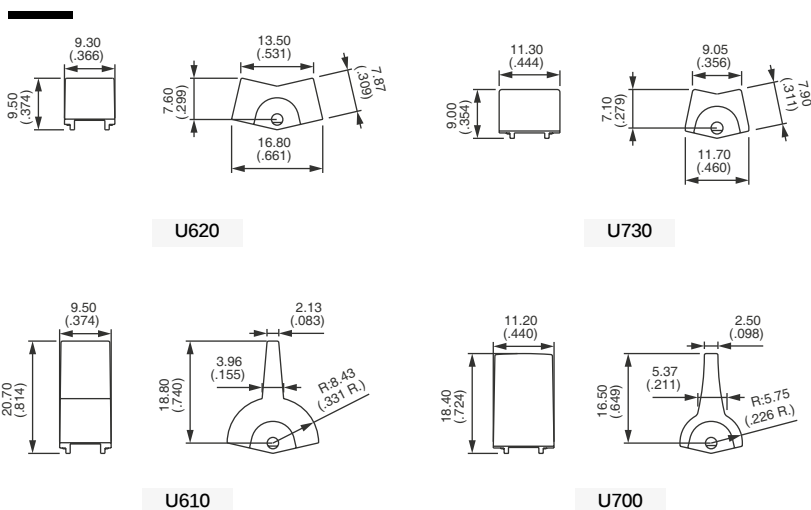


### ROCKERS AND PADDLES

- U620** Large rocker
- U730** Small rocker
- U610** Narrow paddle
- U700** Broad paddle

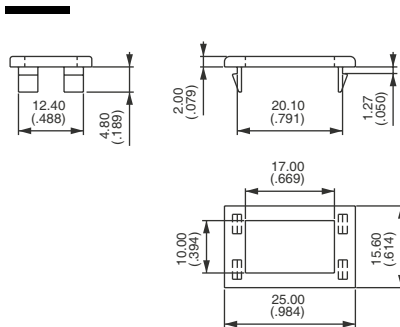
For cap colors, replace "0" with number :

- 1** Blue
- 1/4** Dark blue
- 2** Black
- 3** Green
- 4** Grey
- 5** Yellow
- 6** Red
- 7/1** White
- 9** Orange



### BEZEL

**U4602** Black bezel - for rocker U620 only



# SR series

Washable rocker and paddle switches



## DISTINCTIVE FEATURES

- Process sealed
- Front and rear sealing
- Large rocker



## ENVIRONMENTAL SPECIFICATIONS

- Operating temperature : -20 °C to +85 °C (-4 °F to +185 °F)
- Storage temperature : -40 °C to +85 °C (-40 °F to +185 °F)
- Moisture : The insulating materials employed and the complete seal permit the switches to withstand a 56 days moisture test (IEC 68-2-3).
- Iron soldering : 300 °C (572 °F) 5 sec. max.
- Solderability : The switches are tested at 235 °C (455 °F) according to IEC 68-2-20 after accelerated aging.



## ELECTRICAL SPECIFICATIONS

- Max. current/voltage rating with resistive load :
  - silver contacts (A) : 4 A 30 VDC
  - brass, gold plated contacts (CD) : 0.4 VA 20 VAC or DC
  - silver, gold plated contacts (AD) : 4 A 30 VDC (300 mA 30 VDC for gold plating)
- Initial contact resistance : 10 mΩ max.
- Insulation resistance : 1,000 MΩ min.
- Dielectric strength : 1,000 Vrms 50 Hz min.
- Electrical life with nominal load :

Contacts	Number of cycles	
	2 positions	3 positions
A	40,000	40,000
CD	100,000	50,000
AD	40,000	40,000



## GENERAL SPECIFICATIONS

- Mechanical strength : Terminals are strengthened by a ground plate ensuring the rigidity of the switch on the board. Actuator strength is 10 N max.

The company reserves the right to change specifications without notice.



# SR series

Washable rocker and paddle switches

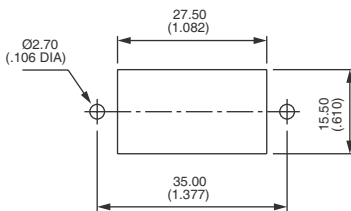


## MATERIALS

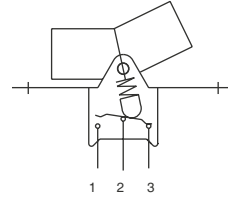
- Case and cover : UL94-V0, polyamide, glass filled or PES
- Actuator : polyamide
- Contacts
  - 0 : brass, gold plated
  - 1 : silver
  - 2 : silver, gold plated
  - 5 : special, lower rating
- Terminal seal : epoxy



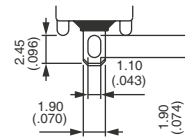
## PANEL CUT-OUT



## ELECTRICAL FUNCTIONS



## TERMINALS

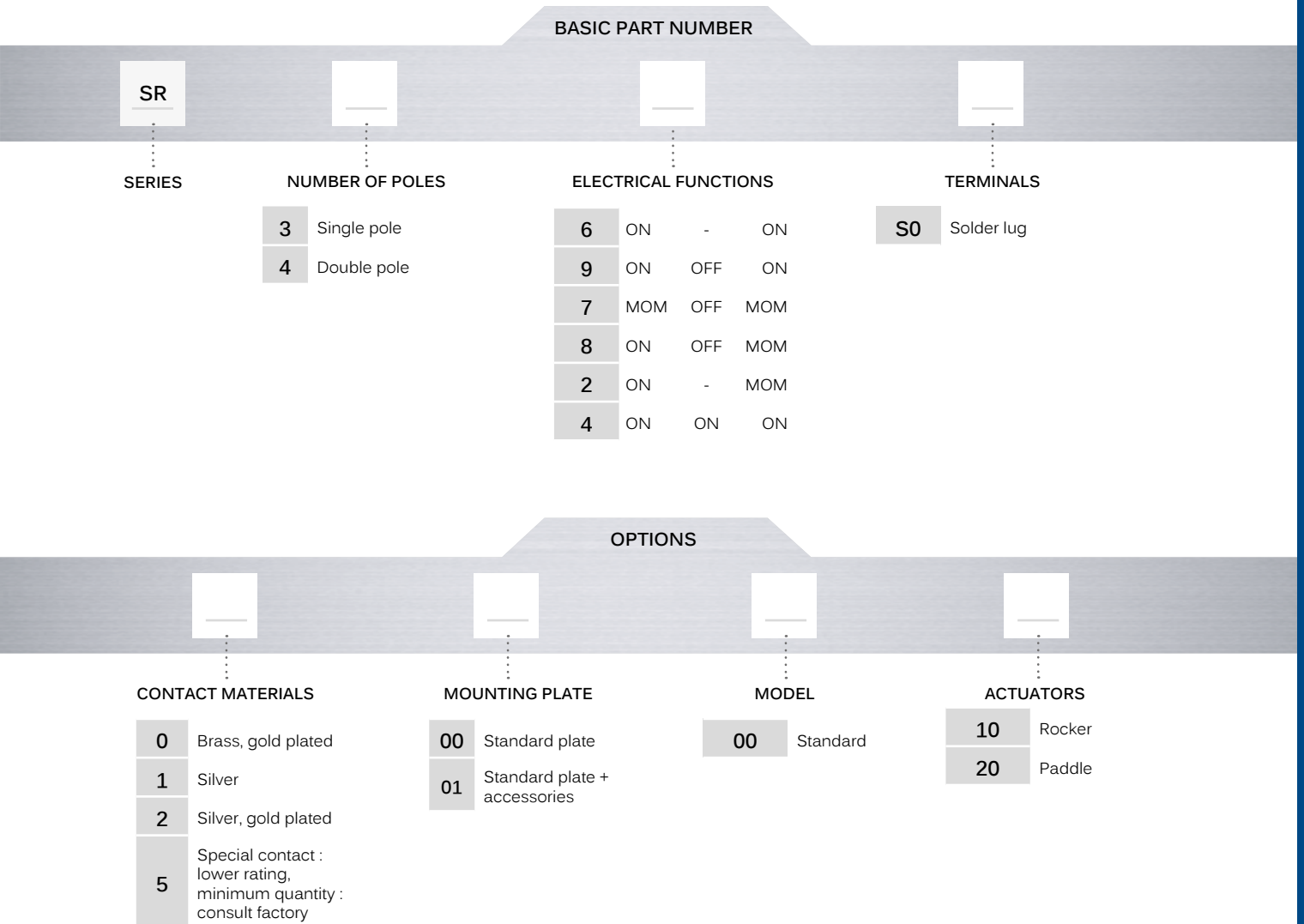


Solder lug





### BUILD YOUR PART NUMBER



### ABOUT THIS SERIES

On the following pages, you will find successively basic part numbers of switches and options in the same order as in above chart.



**Notice :** please note that not all combinations of above numbers are available. Refer to the following pages for further information.

# SR series

Washable rocker and paddle switches

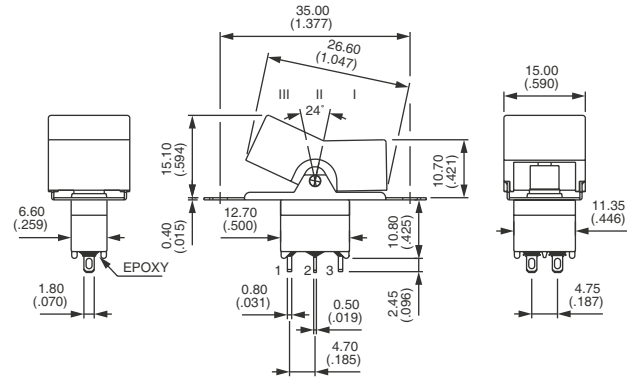
## SOLDER LUG TERMINALS



	Single pole	Double pole	III	II	I
SR36S0	SR46S0	ON	-	ON	
SR39S0	SR49S0	ON	OFF	ON	
SR37S0	SR47S0	MOM	OFF	MOM	
SR38S0	SR48S0	ON	OFF	MOM	
SR32S0	SR42S0	ON	-	MOM	
	SR44S0*	ON	ON	ON	

\* Function 4 : SP in DP case - TH connection, see "Technical information" on website.

Shown with standard mounting plate (code 00)



## CONTACT MATERIALS

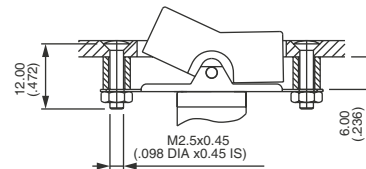


- 0 Brass, gold plated
- 1 Silver
- 2 Silver, gold plated
- 5 Special contact, lower rating, minimum quantity : consult factory.

## MOUNTING PLATE



- 00 Standard mounting plate
- 01 Standard mounting plate + mounting accessories (spacers, screws and nuts)



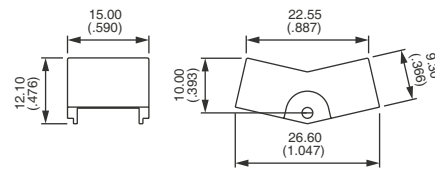
## ACTUATORS



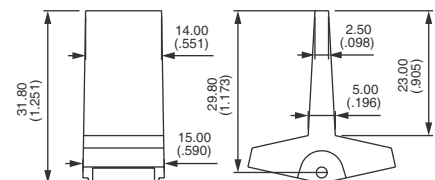
- 10 Rocker
- 20 Paddle

For cap colors, replace "0" with number :

- 1 Blue
- 1/4 Dark blue
- 2 Black
- 3 Green
- 4 Grey
- 5 Yellow
- 6 Red
- 7/1 White
- 9 Orange



10



20