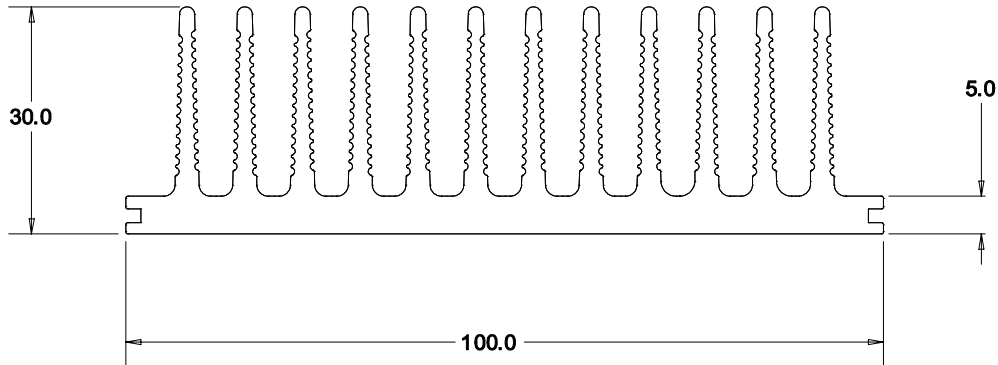


Type 5048 Heatsink



Full size illustration of Model = HS-5048-xx.....Source file = HS-5048p.WMF)

This proprietary FLAT-BACK Heatsink has been designed to satisfy applications where a MEDIUM thermal mass (transient dissipation) is required together with a flat mounting surface for RF, Audio, Industrial or other Semiconductor Power Devices

Grooves are provided at each side to provide a sliding fit to CASA's Corner Bar Extrusions CB10, CB19 (and the proposed CB20) details of which are contained on separate data sheets. These grooves may also be used for fixing cleats or covers etc. Matching grooves can be machined in the ends when required.

Custom machining can be undertaken by CASA to suit special requirements. "TEE" adaptors are available pre-punched for TO3 or manufactured to suit other packages and Customer special needs (please enquire giving details of desired features and facilities, quantities etc.).

Standard STOCK lengths are chosen to match the Rear Panel Heights of CASA Rack Mounting Modules. Other lengths (in any quantity 1-10,000) can be quickly and economically processed. CASA has 20 years experience in professional quality Heatsink manufacturing and is happy to discuss adaptations of CASA standard extrusions, new designs and any other variations or features which you may require.

Specification Details:-

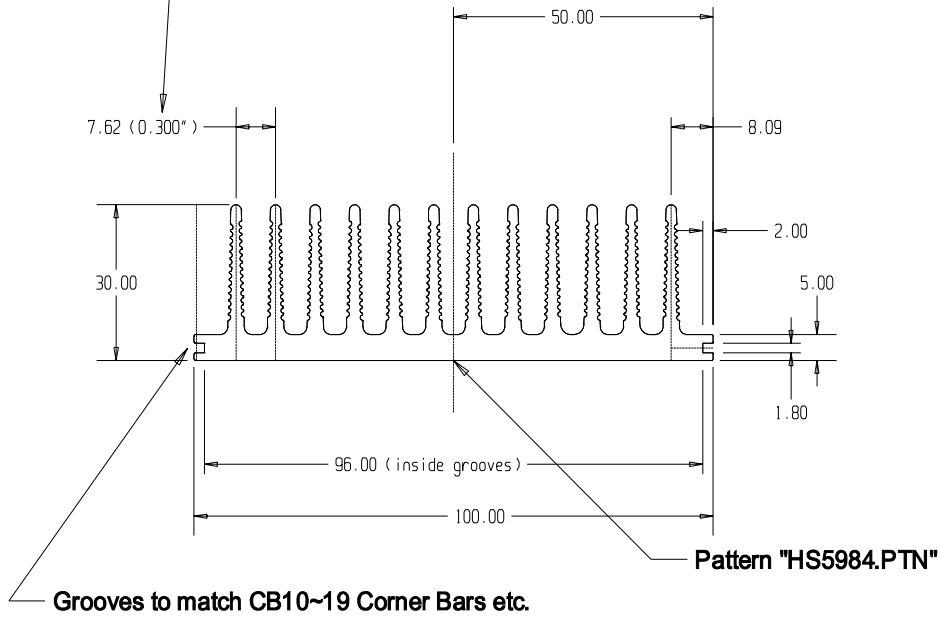
→	Standard Lengths:	75mm (2 unit) 120mm (3 unit) 165mm (4 unit) 210mm (5 unit)
→	Special Lengths to order:	50mm-2500mm
→	Cutting Tolerance:	+/- 0.1mm (to 500mm)
→	Finishes: (full deburring of all holes & edges is standard)	Natural or Alodine dip or Black Anodized etc.
→	Fixing Holes:	Tapped M3/M4/M5 etc. (Custom mountings)
→	Thermal Rating: (measured on 75mm sample, convection cooled with fins vertical)	est. 1.9°C/Watt @ 25°C ambient temperature
→	Weight:	3.102Kg/metre
→	Periphery: (multiply by length for surface area)	927.2mm
→	Cross-section: (sectional area of extrusion)	1144.sq. mm
→	Material: (Extruded Aluminum Alloy to BS-1474)	AA6063-T5

Intelligent Part Number:- HS-5084(Tz)-xx-F(special adder/suffix)

Please compose a Part Number according to this system and use on your official order.

HS-	Prefix to indicate "HEATSINK" or related products or accessories.
5084-	CASA's EXTRUSION or TYPE / Reference number.
Tz-	Optional Trim to custom size - where "z" = number of fins. (Remove brackets when used)
xx-	Overall cut LENGTH in millimetres.
F-	The FINISH applied to the part (NA=Natural, BA=Black Anodized, AD=Alodine dip)
(-----)	Special adder or suffix for brief customer reference detail.

Fin Pitch = 0.300" to match easy PCB Layout etc.

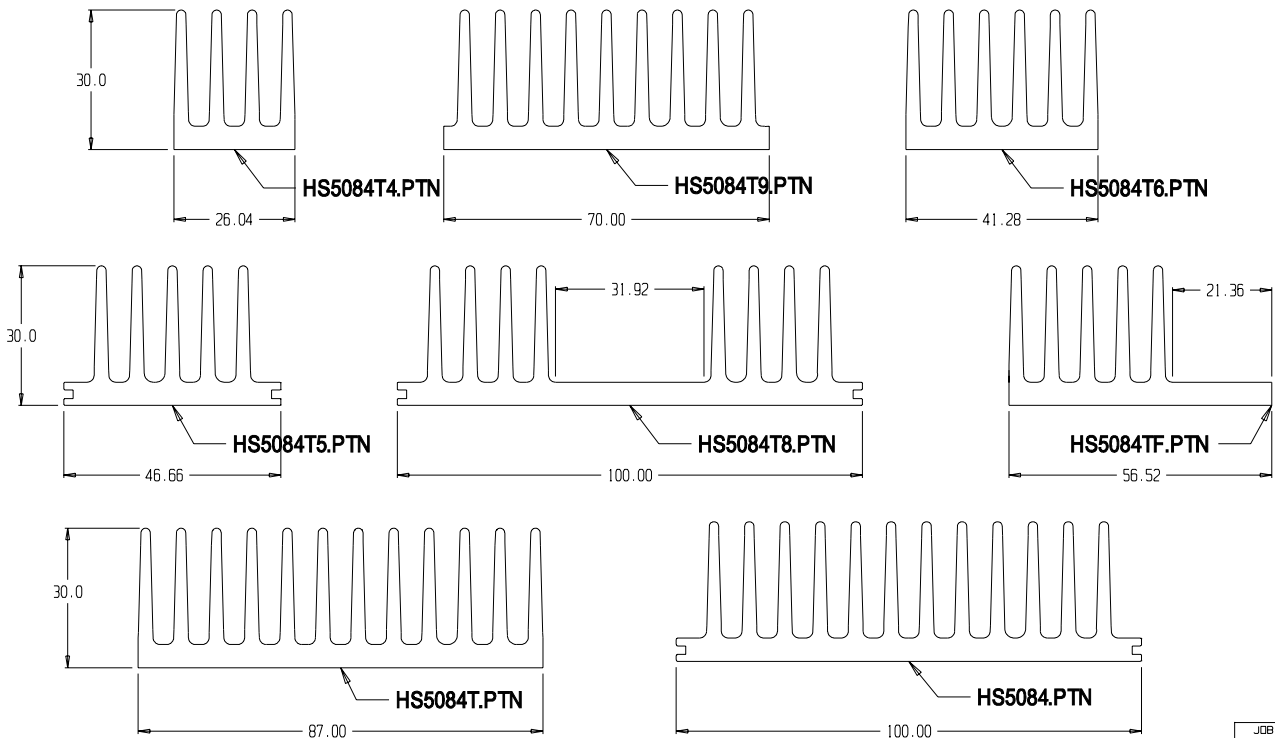


Grooves to match CB10~19 Corner Bars etc.

MATERIAL Extrusion No UA2681
ALLOY 6063-T5
EST. AREA 1144.8 mm
EST. WEIGHT 3.102 kg/m
EST. PERIPHERY EXT: 927 mm TOT: 927 mm
TOLERANCE 0-50mm ±0.1mm 50-100mm ±0.25mm 100-200mm ±0.5mm 200-500mm ±1.0mm > 500mm ±1.5mm
BS1474:1987 APPLIES UNLESS OTHERWISE SPECIFIED
JOB No. 26xx

Modular Systems P. O. BOX 38-828, WELLINGTON, NEW ZEALAND TELEPHONE : (64-4) 9393 777 FACSIMILE : (64-4) 9393 778	CUSTOMER : CASA Modular Systems	SIZE	DRAWING Reference No.	ISSUE
	DESCRIPTION : HEATSINK 100x30 Flat Back	A4	HS-5084	A
DRAWN : A.W.D	DATE : 07/02/00	APPROVED : ?	DWG. SCALE : 1:1	© COPYRIGHT : CASA Modular Systems ALL RIGHTS RESERVED

NOTE - Many other variations on these themes can be provided.



JOB No.
24xx

Modular Systems P. O. BOX 38-828, WELLINGTON, NEW ZEALAND TELEPHONE : (64-4) 5687 277 FACSIMILE : (64-4) 5685 161	CUSTOMER : CASA Modular Systems	SIZE	DRAWING Reference No.	ISSUE
	DESCRIPTION : HS-5084 Trim Variations	A4	HS-5084T	A
DRAWN : A.W.D	DATE : 16/06/00	APPROVED : ?	DWG. SCALE : 1:1	© COPYRIGHT : CASA Modular Systems ALL RIGHTS RESERVED