

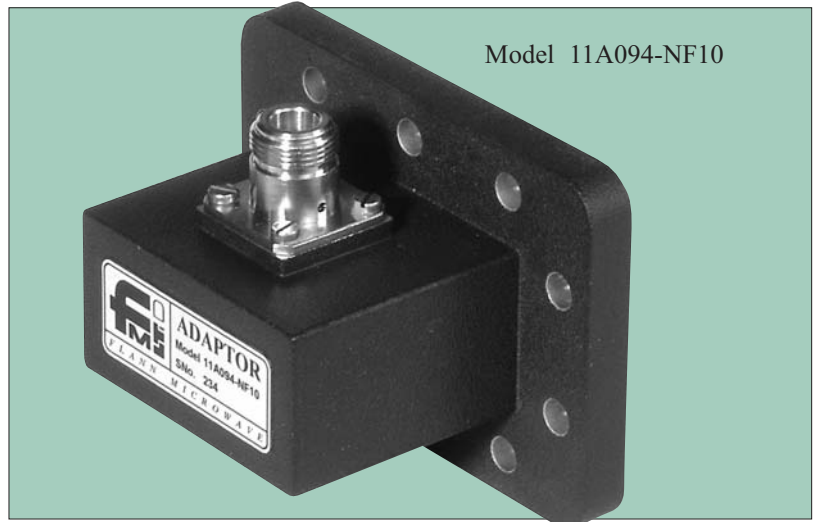
# Adaptors, Waveguide to Coax, Type 'N' - Full Band

- Very low VSWR
- Full & narrowband models

The series 094-NF waveguide to coax adaptors offer enhanced VSWR performance over the full waveguide frequency band. Models in WG06 to WG17 feature an improved mechanical design offering greater durability and reliability whilst maintaining existing high performance specifications. Minor dimensional changes have been incorporated, please contact our sales office for further information.

The adaptors are fitted with type N female connectors as standard.

Narrowband models covering typically 20% of the full waveguide band with a VSWR of 1.05 are also available.



## Specifications: adaptors, broadband, waveguide to coax, type N

Model	Frequency Range (GHz)	Waveguide			VSWR (max)	Model
		WG	R	WR		
<b>06093-NF10</b>	1.140 - 1.730	6	14	650	1.20	<b>06093-NF10</b>
<b>08093-NF10</b>	1.720 - 2.610	8	22	430	1.20	<b>08093-NF10</b>
<b>09A093-NF10</b>	2.170 - 3.300	9A	26	340	1.20	<b>09A093-NF10</b>
<b>10094-NF10</b>	2.600 - 3.950	10	32	284	1.15	<b>10094-NF10</b>
<b>11A094-NF10</b>	3.300 - 4.900	11A	40	229	1.15	<b>11A094-NF10</b>
<b>12094-NF10</b>	3.940 - 5.990	12	48	187	1.14	<b>12094-NF10</b>
<b>13094-NF10</b>	4.640 - 7.050	13	58	159	1.13	<b>13094-NF10</b>
<b>14094-NF10</b>	5.380 - 8.180	14	70	137	1.10	<b>14094-NF10</b>
<b>15094-NF10</b>	6.580 - 10.00	15	84	112	1.12	<b>15094-NF10</b>
<b>16094-NF10</b>	8.200 - 12.50	16	100	90	1.12	<b>16094-NF10</b>
<b>17094-NF10</b>	9.840 - 15.00	17	120	75	1.12	<b>17094-NF10</b>

### ORDERING INFORMATION

Model N°; description

Example: 14094-NF10; waveguide to coax adaptor

Note: Models with suffix NF10 are broadband units.



Series  
094-NF

# Adaptors, Waveguide to Coax, Type 'N'

also known as Coax to Waveguide Adaptors

1.14 to 18 GHz - Narrowband Models



- Very low VSWR
- Full band or narrowband models

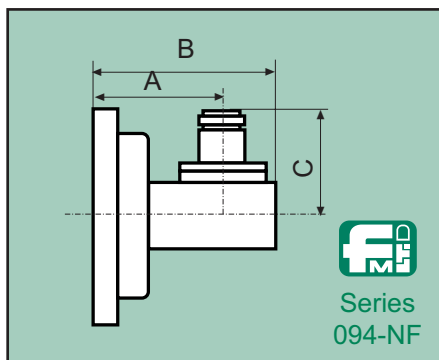
A wide range of models are available for narrowband applications (eg radio link bands) where a much improved VSWR performance is offered.

The following tables indicate a wide choice of adaptor specification. Flann waveguide to coaxial adaptors in this series are fitted as standard with 'N' type female connectors. Alternative requirements can be accommodated provided the customer submits full details of the specification required.

#### New Adaptor available:

- Low Cost
- Radio Link Bands
- 1.2 VSWR

Contact the sales office for more information



Model	Frequency Range (GHz)	Waveguide			Maximum VSWR	Dimensions (mm)			Weight (kg)
		WG	R	WR		A	B	C	
06093-NF11	1.215 - 1.415	6	14	650	1.05	108	170	65	3.30
06093-NF12	1.250 - 1.365				1.05				
06093-NF13	1.370 - 1.490				1.05				
06093-NF14	1.440 - 1.560				1.05				
06093-NF15	1.537 - 1.645	9A	26	340	1.05	64	99	46	1.80
06093-NF16	1.400 - 1.700				1.10				
06093-NF17	1.200 - 1.425				1.05				
06093-NF18	1.140 - 1.450				1.10				
08093-NF12	2.360 - 2.540	10	32	284	1.05	46	72	41	1.30
08093-NF13	2.200 - 2.300				1.05				
08093-NF14	2.300 - 2.700				1.10				
08093-NF15	2.000 - 2.300				1.10				
09A093-NF11	2.400 - 2.500	10A	32	284	1.05	46	72	41	1.30
09A093-NF12	2.216 - 2.350				1.05				
10094-NF11	2.400 - 2.500				1.05				
10094-NF12	2.650 - 3.250				1.10				
10094-NF13	2.700 - 3.200	11A	40	229	1.05	35	57	38	0.60
10094-NF14	2.765 - 3.035				1.05				
10094-NF15	2.815 - 3.085				1.05				
10094-NF16	2.865 - 3.135				1.05				
10094-NF17	3.115 - 3.385	12	48	187	1.05	49.5	66.5	35	0.60
10094-NF18	3.400 - 3.800				1.05				
10094-NF19	3.415 - 3.685				1.05				
10094-NF20	3.465 - 3.735				1.05				
10094-NF21	2.500 - 3.500	12	48	187	1.10	49.5	66.5	35	0.60
10094-NF22	2.700 - 2.900				1.05				
10094-NF23	2.700 - 3.100				1.05				
10094-NF24	2.500 - 2.700				1.05				
10094-NF25	3.000 - 3.600	11A	40	229	1.10	35	57	38	0.60
10094-NF26	2.400 - 2.700				1.05				
10094-NF27	2.400 - 2.700				1.05				
10094-NF28	2.650 - 3.150				1.05				
11A094-NF11	3.400 - 4.200	11A	40	229	1.05	35	57	38	0.60
11A094-NF12	3.600 - 4.400				1.05				
11A094-NF13	4.200 - 4.800				1.05				
11A094-NF14	3.300 - 4.300				1.10				
11A094-NF15	3.500 - 4.300	12	48	187	1.07	49.5	66.5	35	0.60
11A094-NF16	3.700 - 4.200				1.05				
11A094-NF17	3.600 - 4.000				1.05				
11A094-NF18	3.600 - 4.200				1.05				
12094-NF11	4.095 - 4.295	12	48	187	1.05	49.5	66.5	35	0.60
12094-NF12	4.180 - 4.210				1.05				
12094-NF13	4.200 - 4.400				1.05				
12094-NF14	4.595 - 5.005				1.05				
12094-NF15	4.700 - 4.900	12	48	187	1.05	49.5	66.5	35	0.60
12094-NF16	4.890 - 5.090				1.05				
12094-NF17	5.395 - 5.805				1.05				
12094-NF18	5.200 - 5.700				1.05				
12094-NF19	5.100 - 5.300	12	48	187	1.05	49.5	66.5	35	0.60
12094-NF20	5.600 - 5.650				1.05				
12094-NF21	5.400 - 5.900				1.05				
12094-NF22	5.150 - 5.350				1.05				
12094-NF23	4.700 - 5.800	12	48	187	1.10	49.5	66.5	35	0.60
12094-NF24	5.200 - 5.400				1.05				
12094-NF25	5.400 - 5.950				1.05				
12094-NF26	5.100 - 5.560				1.05				
12094-NF27	3.940 - 4.900	13	58	159	1.08	50.85	66	34	0.50
12094-NF28	4.350 - 5.150				1.10				
12094-NF29	3.700 - 4.850				1.08				
13094-NF11	5.200 - 5.400				1.05				
13094-NF12	5.100 - 5.600	14	70	137	1.10	42	55	32	0.40
13094-NF13	5.000 - 5.100				1.05				
13094-NF14	5.850 - 6.420				1.05				
14094-NF11	5.400 - 5.900				1.05				
14094-NF12	6.140 - 6.700	14	70	137	1.05	42	55	32	0.40
14094-NF13	7.125 - 7.725				1.05				
14094-NF14	7.725 - 8.400				1.05				
14094-NF15	7.900 - 8.400				1.05				
14094-NF16	7.250 - 7.750	14	70	137	1.05	42	55	32	0.40
14094-NF18	7.700 - 8.200				1.05				
14094-NF19	5.870 - 6.430				1.05				
14094-NF20	5.850 - 6.425				1.05				
14094-NF21	5.925 - 6.425	14	70	137	1.05	42	55	32	0.40
14094-NF22	6.400 - 7.100				1.05				
14094-NF23	5.900 - 6.400				1.05				
14094-NF25	5.200 - 5.400				1.10				
14094-NF26	5.850 - 6.455	14	70	137	1.05	42	55	32	0.40
14094-NF27	6.700 - 7.300				1.05				
14094-NF28	5.800 - 6.500				1.05				
14094-NF30	7.110 - 7.750				1.06				
14094-NF31	7.250 - 7.900	14	70	137	1.05	42	55	32	0.40
14094-NF32	6.425 - 7.125				1.05				
14094-NF33	7.100 - 7.500				1.05				
14094-NF35	6.400 - 7.200				1.05				
14094-NF36	5.290 - 5.310	14	70	137	1.05	42	55	32	0.40
14094-NF37	7.700 - 8.500				1.07				

# Adaptors, Waveguide to Coax, Type 'N'

also known as Coax to Waveguide Adaptors

1.14 to 18 GHz - Narrowband Models

Continued from page 40

Model	Frequency Range (GHz)	Waveguide			Maximum VSWR	Dimensions (mm)			Weight (kg)							
		WG	R	WR		A	B	C								
15094-NF11	7.200 - 8.400	15	84	112	1.10	45.8	59.9	30	0.18							
15094-NF12	7.250 - 7.750				1.05											
15094-NF13	7.360 - 8.050				1.05											
15094-NF14	7.750 - 8.500				1.05											
15094-NF15	7.900 - 8.400				1.05											
15094-NF16	8.700 - 9.400				1.05											
15094-NF17	8.428 - 8.478				1.05											
15094-NF18	8.300 - 9.200				1.05											
15094-NF19	7.250 - 7.750				1.05											
15094-NF20	8.500 - 9.600				1.10											
15094-NF21	9.345 - 9.405				1.10											
15094-NF22	7.700 - 8.300				1.05											
15094-NF23	7.125 - 8.000				1.10											
15094-NF24	7.125 - 7.750				1.06											
15094-NF25	7.700 - 8.500				1.05											
15094-NF26	6.700 - 8.000				1.10											
15094-NF27	8.000 - 9.000				1.10											
15094-NF28	7.125 - 7.725				1.06											
15094-NF29	7.400 - 7.800				1.05											
15094-NF30	7.100 - 7.400				1.05											
15094-NF31	7.125 - 8.500	1.10														
15094-NF32	7.500 - 8.400	1.05														
16094-NF11	8.500 - 9.500	16	100	90	1.05	29.3	42	29	0.13							
16094-NF12	8.850 - 9.700				1.05											
16094-NF13	9.000 - 9.800				1.05											
16094-NF14	9.700 - 10.400				1.05											
16094-NF15	11.050 - 11.250				1.05											
16094-NF16	11.350 - 12.250				1.05											
16094-NF17	10.950 - 11.700				1.05											
16094-NF18	8.500 - 9.600				1.05											
16094-NF19	9.250 - 9.550				1.05											
16094-NF20	10.500 - 12.500				1.08											
16094-NF21	10.700 - 11.700				1.07											
16094-NF22	9.000 - 10.000				1.05											
16094-NF23	9.300 - 10.100				1.05											
16094-NF24	9.100 - 9.600				1.05											
16094-NF25	8.400 - 8.500				1.05											
16094-NF26	10.000 - 10.500				1.05											
16094-NF27	9.200 - 10.000				1.05											
16094-NF28	8.200 - 10.000				1.08											
17094-NF12	12.400 - 13.000				17					120	75	1.05	47.3	60	29	0.13
17094-NF14	14.000 - 14.500											1.10				
17094-NF15	14.000 - 14.250	1.05														
17094-NF16	12.750 - 13.250	1.05														
17094-NF17	14.000 - 14.500	1.05														
17094-NF18	13.200 - 14.200	1.05														
17094-NF19	10.700 - 11.700	1.05														
17094-NF21	13.000 - 14.300	1.10														
17094-NF23	12.800 - 13.200	1.05														
17094-NF29	13.100 - 13.600	1.05														
17094-NF31	12.500 - 13.500	1.10														
17094-NF33	12.250 - 13.500	1.10														
17094-NF34	12.700 - 13.300	1.07														
17094-NF35	10.700 - 11.700	1.07														
17094-NF36	12.000 - 12.500	1.10														
17094-NF39	10.000 - 12.000	1.10														
18094-NF11	14.100 - 14.500	18	140	62		1.05	49.6	62.3	27			0.08				
18094-NF12	14.500 - 14.620					1.05										
18094-NF13	16.400 - 17.600					1.10										
18094-NF14	14.000 - 14.400					1.05										
18094-NF16	14.000 - 14.500				1.10											
18094-NF17	15.900 - 17.100				1.10											
18094-NF18	14.000 - 15.500				1.10											
18094-NF19	14.000 - 16.000				1.10											
18094-NF20	16.350 - 16.650				1.05											
18094-NF21	13.600 - 14.000				1.05											
18094-NF22	14.300 - 15.400				1.10											
18094-NF23	13.100 - 13.600				1.07											
18094-NF24	12.000 - 14.000				1.10											
18094-NF26	14.400 - 15.350				1.10											
18094-NF28	16.300 - 16.700				1.10											
18094-NF29	13.000 - 14.500				1.10											
18094-NF30	14.200 - 15.500				1.07											
18094-NF31	14.000 - 15.350				1.10											
19094-NF11	14.500 - 18.000				19	180				51	1.25		35	47	27	0.08
19094-NF12	17.700 - 19.700										1.25					
19094-NF13	14.500 - 19.700	1.25														
19094-NF14	18.000 - 18.500	1.20														
19094-NF15	17.300 - 18.000	1.10														

## ORDERING INFORMATION

Model N°-frequency band suffix; Description  
 Example: 18094-NF13; waveguide to coax adaptor, NF (frequency range 16.4 to 17.6 GHz)



Series  
094-NF