

PART NUMBER
8609-M31-XX-CX

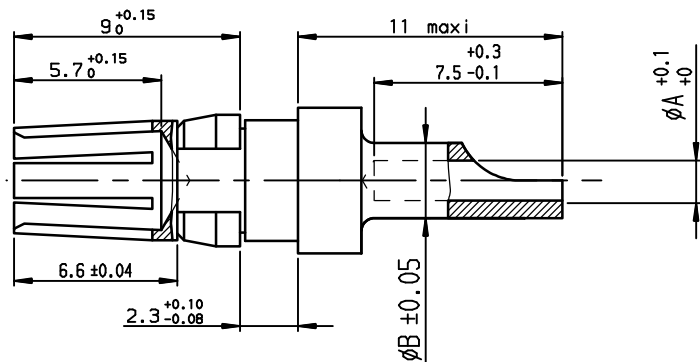
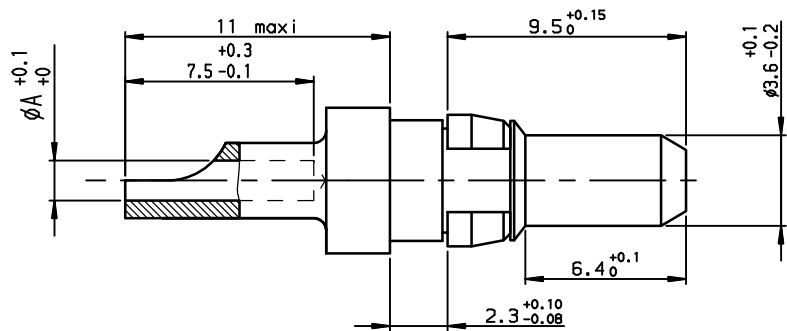
PART NUMBER
8609-F31-XX-CX

| TERMINATION | DIMENSION A | CURRENT RATING AT 20°C |
|-------------|-------------|------------------------|
| 01 | 1.70 | 10 A |
| 02 | 2.80 | 20 A |
| 03 | 3.50 | 30 A |
| 04 | 4.80 | 40 A |

| PLATING | THICKNESS |
|---------|-----------------------|
| C0 | NICKEL (all area) |
| C1 | 0.8μ AU (mating area) |
| C4 | 1.5μ AU (mating area) |

| TERMINATION | DIMENSION A | CURRENT RATING AT 20°C | DIMENSION B |
|-------------|-------------|------------------------|-------------|
| 01 | 1.70 | 10 A | 2.54 |
| 02 | 2.80 | 20 A | 3.63 |
| 03 | 3.50 | 30 A | - |
| 04 | 4.80 | 40 A | 5.60 |

| PLATING | THICKNESS |
|---------|-----------------------|
| C0 | NICKEL (all area) |
| C1 | 0.8μ AU (mating area) |
| C4 | 1.5μ AU (mating area) |



Copyright FCI.

TECHNICAL CHARACTERISTICS:

- INSERTION / WITHDRAWAL FORCE : ≤ 10 N
- CONTACT RESISTANCE : < 1 mΩ under 10 A

OTHER CHARACTERISTICS: SEE INSERTS ACCORDING TO DIN 41626

| rev | ecn no | dr | date |
|-----|-----------|-----|------------|
| C | LS06-0073 | PCR | 2006/05/05 |
| D | LS06-0097 | LGO | 2006/07/11 |
| - | - | - | - |
| - | - | - | - |
| - | - | - | - |
| - | - | - | - |

| | | | | |
|---|-----------|-----------------------|-----------------------------------|------------------|
| www.fciconnect.com | | surface ISO 1302 ✓ | tolerance std ISO 406 ISO 1101 | projection mm |
| TOLERANCES UNLESS OTHERWISE SPECIFIED | | | | |
| Dr | ROUILLARD | 1992/10/08 | ANGULAR | 0.x ±0.1 |
| Eng | ROUILLARD | 1992/10/08 | LINEAR | 0.xx ±0.1 |
| Chr | LEGARE | 1992/10/08 | 0.xx' ±2' | 0.xxx ±0.1 |
| Appr | LEGARE | 1992/10/08 | Product family | DIN 8609 |
| title MALE AND FEMALE POWER CONTACTS | | | size A3 | Scale 5 |
| SOLDER TO CABLE | | | ECN LS06-0097 | Spec ref - |
| catalog no - | | | Part no C-8609-0335 | Rev. D |
| CUSTOMER | | | sheet 1 of 1 | |