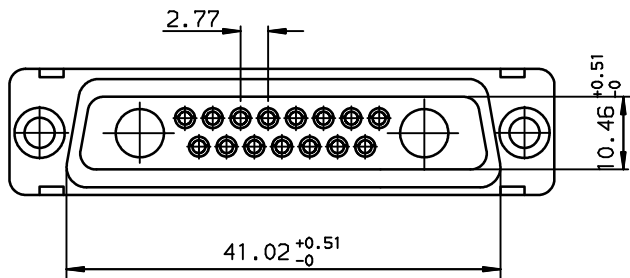
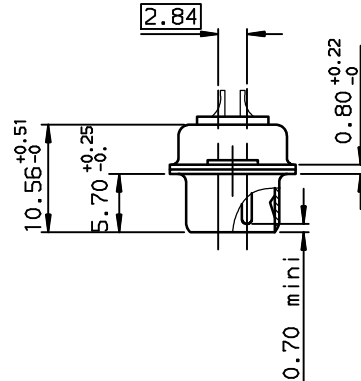
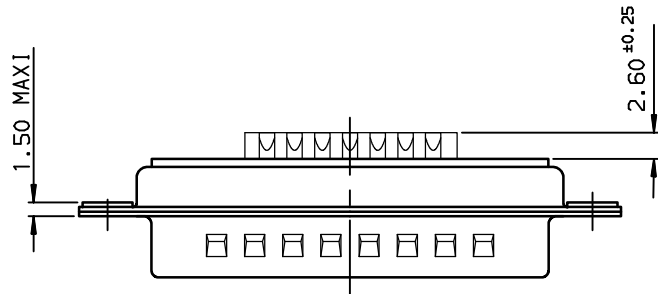
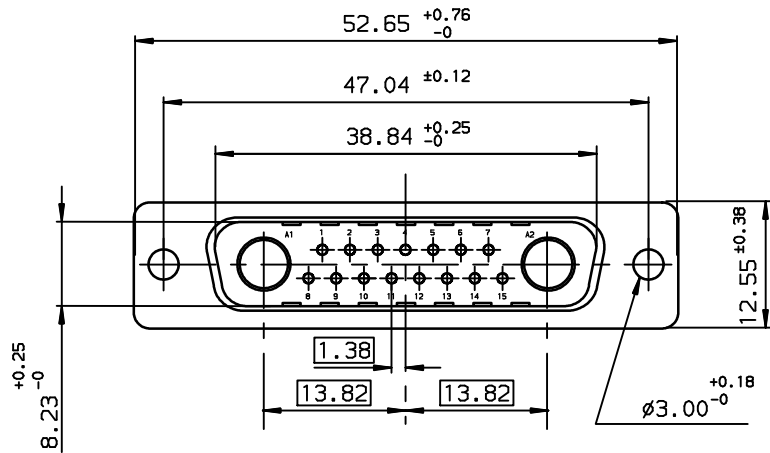




Copyright FCI.



TIN LEAD PART NUMBER

DB17W2PA00
PART NUMBER

LEAD FREE PART NUMBER

DB17W2PA00LF
PART NUMBER

GENERAL CHARACTERISTICS AND ROHS INFORMATIONS:  
SEE DRAWING C01-8639-0003

European Views

rev	ecn no	dr	date
B	-	BAR	2003/10/20
C	LS05-005	MPE	2005/03/16
D	LS06-0095	LGO	2006/07/19
-	-	-	-
-	-	-	-
-	-	-	-
-	-	-	-

www.fciconnect.com		surface ISO 1302 ✓	tolerance std ISO 406 ISO 1101	projection 	mm
TOLERANCES UNLESS OTHERWISE SPECIFIED					
Dr	JARRY	1996/07/02	ANGULAR	LINEAR	size
Eng	PESSON	1996/07/02	0.x	±0.1	A3
Chr	LEGARE	1996/07/02	0.xx	±0.1	Scale
Appr	LEGARE	1996/07/02	0.xxx	±0.1	2
Product family				D-SUB	ECN L506-0095
title				Spec ref -	
FCI				D	
title				C01-8639-0483	
contacts				Rev.	
catalog no				CUSTOMER sheet 1 of 1	

REV F - 2006-04-17