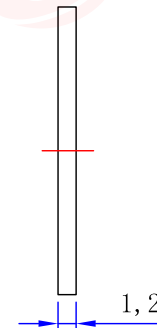
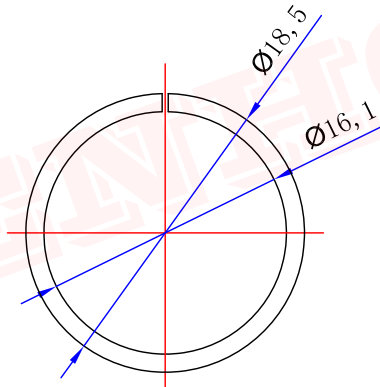
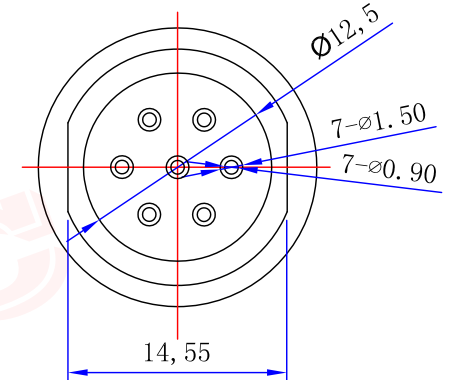
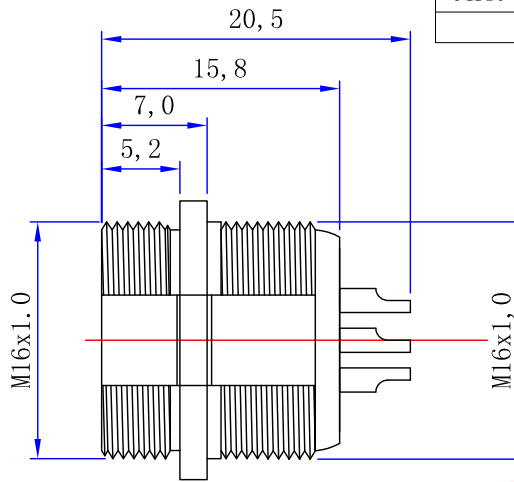
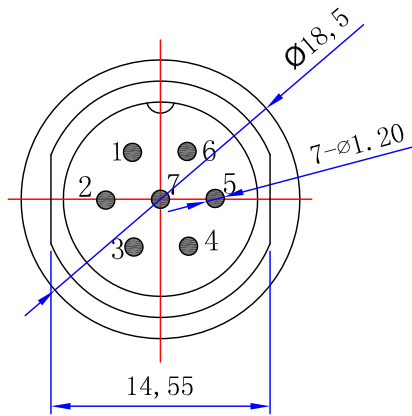
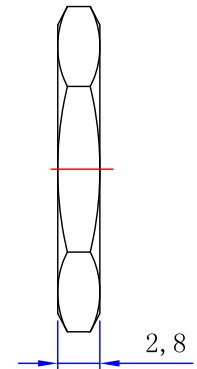
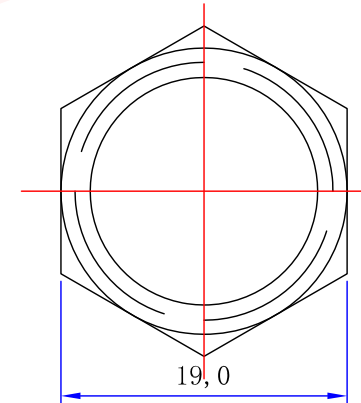




Product NO.		RHT-634-1173		
ISSUE	DESCRIPTION	DWN	DATE	APPROVEN
First	First issue	Gavin	2018/11/05	JIM. KING



GASKET



NUT

Material and specifications

- Coupling Threaded coupling
- Shell material Zinc alloy with Nickel Plate
- Insert material bakelite
- Contact material copper Silver Plate/Nickel
- Termination Solder
- Mating cycle 500
- Cable diameter -20°C +85°C

Technology parameter

NO. of contacts	7
Rated current(A)	5
Operation limit voltage(AC.V.rms)	125
Withstanding voltage(AC.V.rms) 1 minute	1000
Insulation resistance(mΩ)	2000

-TOLERANCES- UNLESS OTHERWISE SPECIFIED	RENHOTEC GROUP	
	PART DESCRIPTION: GX16 7P MALE CONNECTOR	
UNLESS OTHERWISE SPECIFIED TOLERANCES FOR MILLIMETERS ARE: 0.5 - 8mm ± 0.20mm 8 - 30mm ± 0.25mm 30 - 120mm ± 0.30mm	Appr: JIM. KING	P/N: RHT-634-1173
	Check: Gavin	Date: 2018. 11. 05
	Scale: Free	Unit: MM
	Type: Z	Page: 1/1