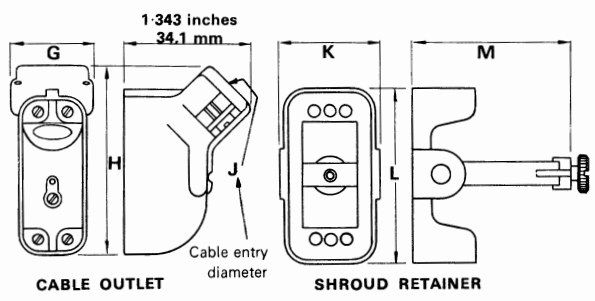




Unitors, Pattern 102 Cable outlets and shroud retainers

- | | | | |
|----------------|-----------------|---|-----------------------------|
| L653/C3 | Cable outlet | } | For use with 4-pole unitor |
| L653/R3 | Shroud retainer | | |
| L654/C3 | Cable outlet | } | For use with 8-pole unitor |
| L654/R3 | Shroud retainer | | |
| L655/C3 | Cable outlet | } | For use with 12-pole unitor |
| L655/R3 | Shroud retainer | | |
| L656/C3 | Cable outlet | } | For use with 18-pole unitor |
| L656/R3 | Shroud retainer | | |
| L657/C3 | Cable outlet | } | For use with 25-pole unitor |
| L657/R3 | Shroud retainer | | |



	4-Pole		8-Pole		12-Pole		18-Pole		25-Pole	
	in	mm	in	mm	in	mm	in	mm	in	mm
G	0.813	20.6	0.906	23	0.969	24.6	0.969	24.6	1.313	33.3
H	1.906	48.4	1.906	48.4	1.906	48.4	2.313	58.7	2.047	52
J	0.313	7.9	0.438	11.1	0.484	12.3	0.578	14.7	0.676	17.2
K	0.875	22.2	1.031	26.2	1.281	32.5	1.281	32.5	1.641	41.7
L	1.750	44.5	1.812	46	1.812	46	2.281	57.9	2.063	52.4
M	1.719	43.7	1.719	43.7	1.812	46	1.812	46	1.812	46

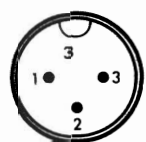
LF connectors

L1904 LATCHING AUDIO CONNECTOR

These shielded connectors are available in a 3, 4 or 5 pole configuration. They feature a unique locking device allowing push-pull coupling and cannot be disengaged by a direct pull on the cable. The cable is clamped by a one piece moulded nylon cable grip.

- CURRENT RATING:** 2A (Temp. rise 5 °C)
- CONTACT RESISTANCE:** ≤ 10 milliohms
- AND SCREEN CONTINUITY:** ≤ 10³ megohms
- INSULATION RESISTANCE:** ≥ 10³ megohms
- TEMPERATURE RANGE:** -25 °C to +70 °C (Suitable for Steam Sterilisation).
- BREAKDOWN VOLTAGE:** > 1.5 kv 50Hz
- INSERTION FORCE:** ≤ 8N (30 ozf) per way
- WITHDRAWAL FORCE:** ≤ 6N (22 ozf) per way
- CABLE RETENTION:** ≥ 30N (110 ozf) for 100 secs.
- MATERIALS:**
 Plug and socket Body – Mazak Nickel-Plated.
 Clamping Nut – Polypropylene
 Plug Insulators – Polypropylene
 Receptacle Insulator – Nylon 66
 Contact Material – Brass, Silver-plated.
 Contact Terminations
 Free Plug-Crimp or Solder Bucket
 Fixed Receptacle: Solderlug
- WEIGHTS (average):**
 Plugs 20g (0.71 oz)
 Sockets 10g (0.36 oz).

CONTACT IDENTIFICATION Viewed on SOCKET wiring side



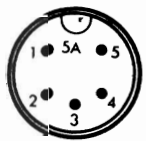
3 Pole*



5 Pole (45° Pole Spacing) *



4 Pole



5 Pole (60° Pole Spacing)

* Mating face details in accordance with DIN41524

ORDERING INFORMATION

- | | |
|--------------------|---------------------------------------------|
| L1904/3/FP | 3 pole plug |
| L1904/3/CS | 3 pole receptacle |
| L1904/4/FP | 4 pole plug |
| L1904/4/CS | 4 pole receptacle |
| L1904/5/FP | 5 pole plug (45° pole spacing) |
| L1904/5/CS | 5 pole receptacle (45° pole spacing) |
| L1904/5A/FP | 5 pole plug (60° pole spacing) |
| L1904/5A/CS | 5 pole receptacle (60° pole spacing) |