

THIS DRAWING IS UNPUBLISHED.

RELEASED FOR PUBLICATION

20

© COPYRIGHT 20 BY -

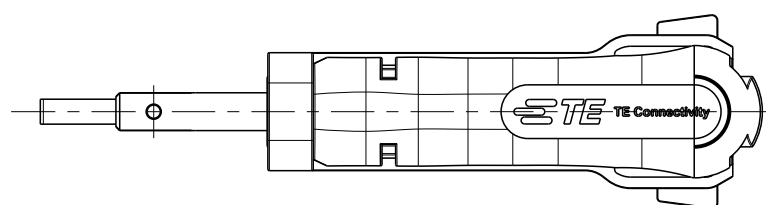
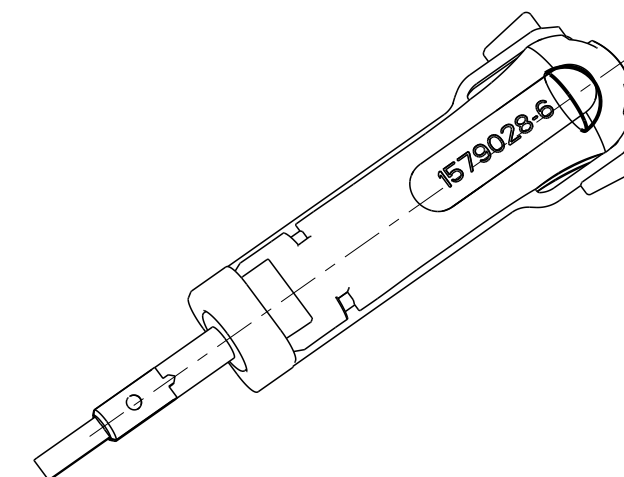
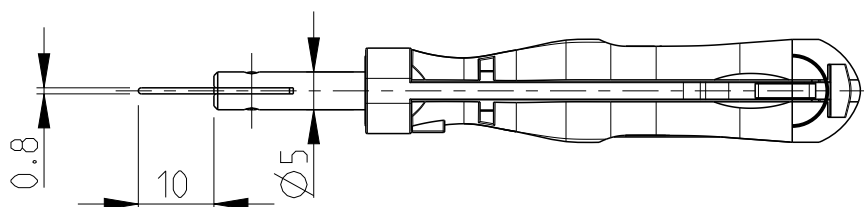
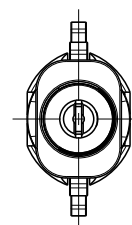
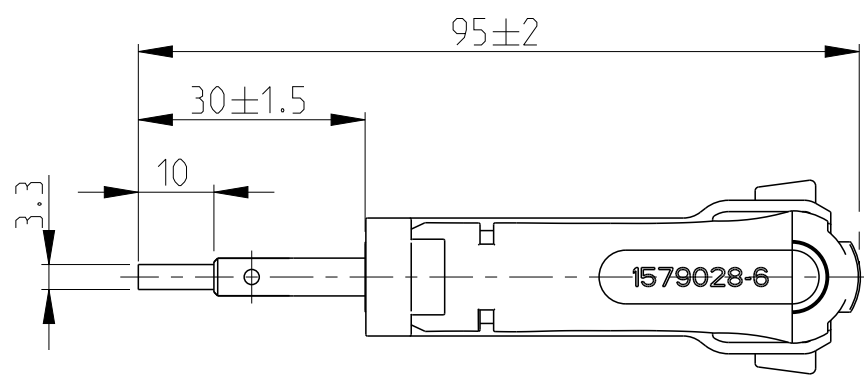
ALL RIGHTS RESERVED.

LOC
A1

DIST
-

REVISIONS

P	LTR	DESCRIPTION	DATE	DWN	APVD
	A	Initial release	19DEC12	RG	RG



Application range / Anwendungsbereich

Contact: MCON 9.5; P/N 1823034, 1823032, 2112223

Housing: P/N 2141237

THIS DRAWING IS A CONTROLLED DOCUMENT.

DWN R. Germann 19DEC2012

CHK R. Germann 19DEC2012

APVD -

PRODUCT SPEC -

APPLICATION SPEC -

WEIGHT 17g

Customer Drawing

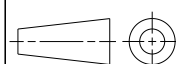


NAME
EXTRACTION TOOL
Entriegelungswerkzeug

SIZE A3 CAGE CODE 00779 DRAWING NO. C=1579028-6 RESTRICTED TO -

SCALE 1:1 SHEET 1 OF 1 REV A

DIMENSIONS:
mm



TOLERANCES UNLESS OTHERWISE SPECIFIED:

- 0 PLC ±
- 1 PLC ±
- 2 PLC ±
- 3 PLC ±
- 4 PLC ±
- ANGLES ±1°
- FINISH -

MATERIAL