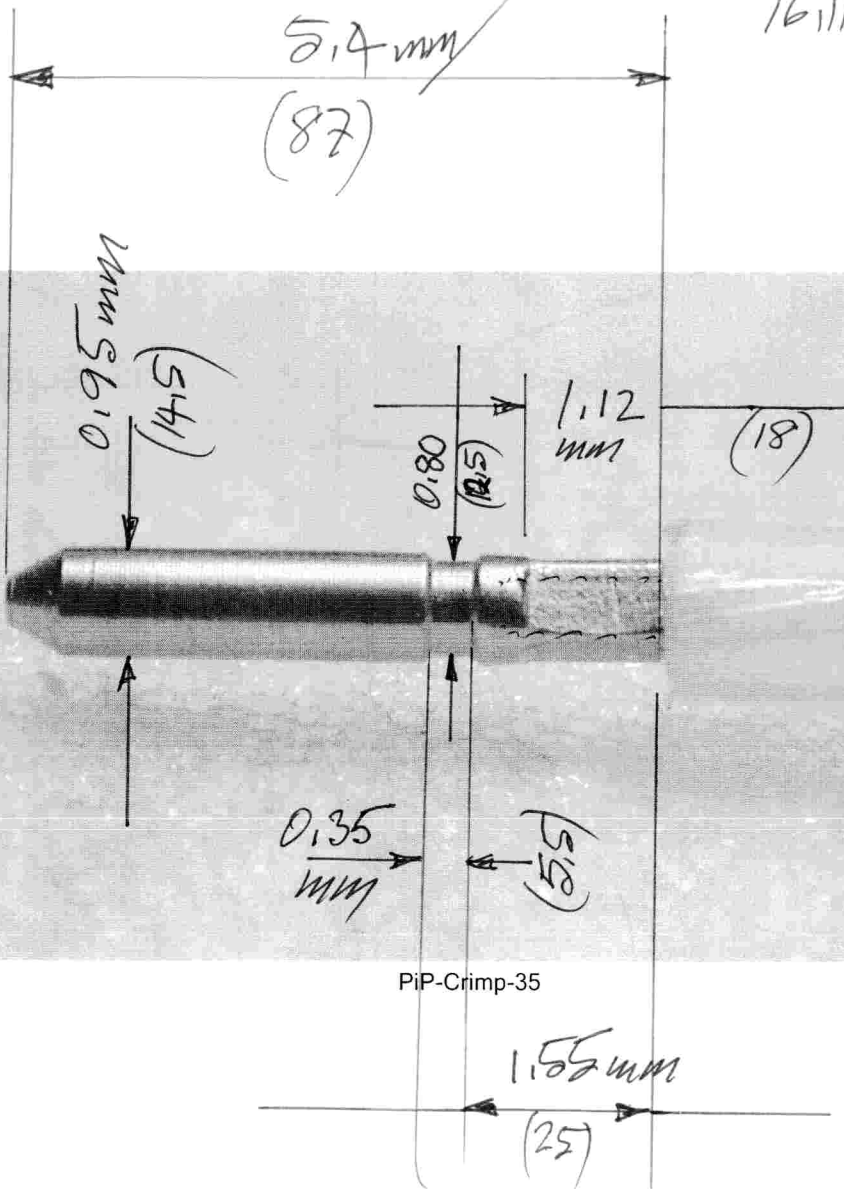


Seal
Factor
= 16.111

$$\frac{(87)}{16.111} = 5.4 \text{ mm}$$

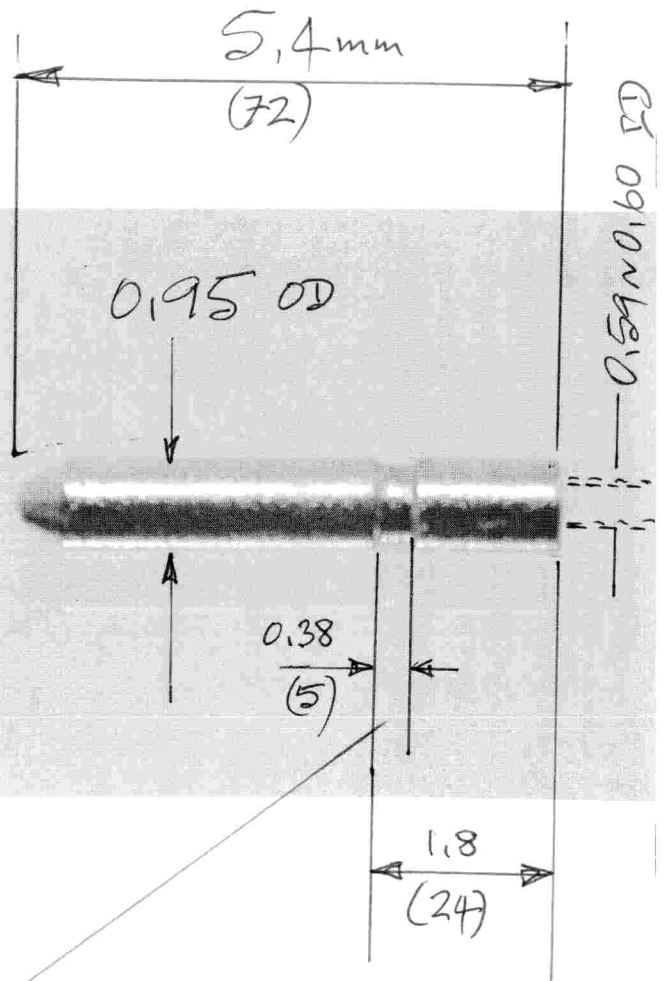
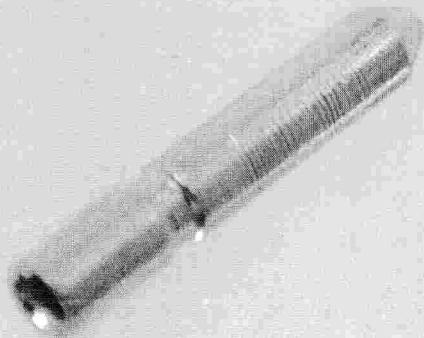


$$\frac{54}{72} = 0.75$$

$$\frac{54}{0.75} = 72 \text{ micron Scale}$$

$$\therefore \frac{\text{micron Scale}}{13.333} = 13.333$$

$$\therefore \frac{\text{micron Scale}}{13.333} = \text{Actual mm}$$



Pip-7635-2-8

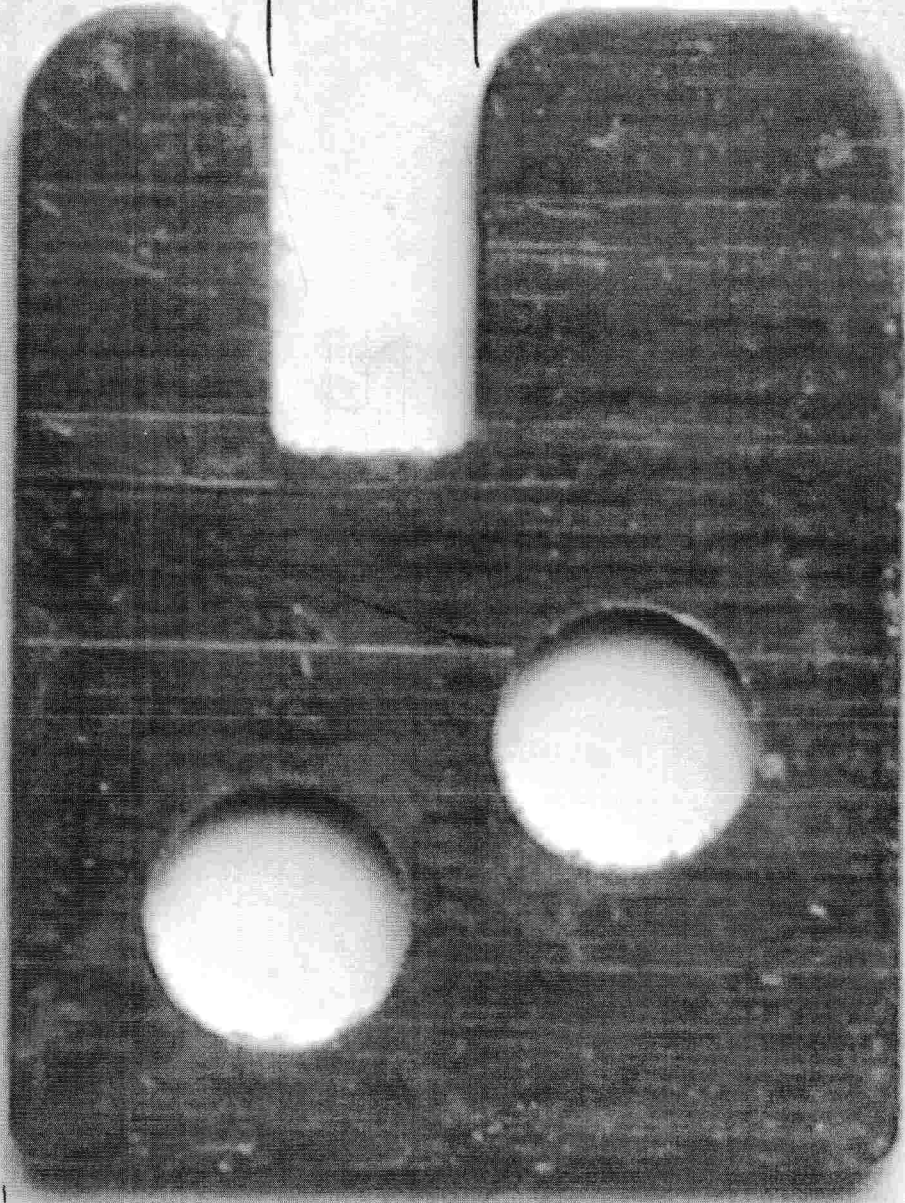
Location Contact finger
0.30mm Spring Steel
Flat.

(See picture 767-0-2-1-6490-1, jpg)

$$\text{Scale Factor} = \frac{(155)}{5.2} = 30$$

0.3mm
Spring Steel

0.9mm
(27)



5.2mm
(155)

4.05mm
(117.5)