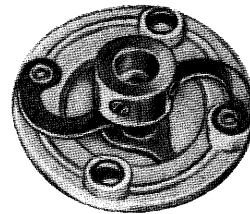
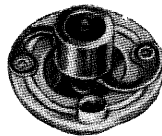


FLEXIBLE COUPLERS

Cat. Nos. 50 : 529 : 893 : 550



These flexible couplers are offered in three sizes, two accepting $\frac{1}{4}$ " spindles and the third (Cat. No. 550) a $\frac{5}{32}$ " spindle. They have numerous applications, and the high voltage ratings permit use with condensers or other components at potentials above earth. The design ensures complete flexibility and freedom from backlash. Insulating material is white DL12 moulding except in the case of Cat. No. 893 which utilises nylon-loaded bakelite. This latter coupler also has hub walls of a greater thickness than the Cat. No. 529, which is otherwise of similar dimensions.

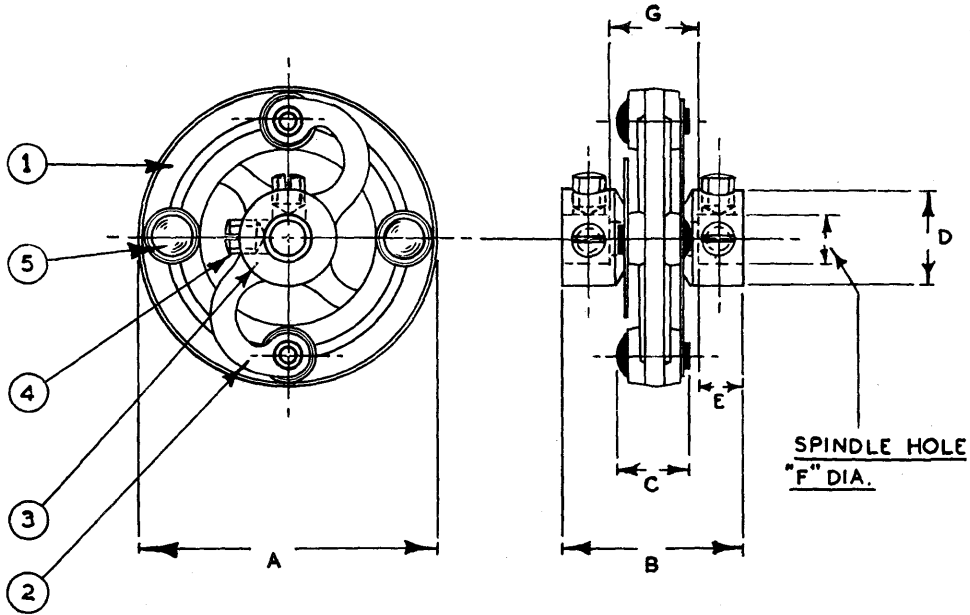
J357 Printed in England

STRATTON & CO., LTD.

EDDYSTONE WORKS : BIRMINGHAM 31 : ENGLAND
TELEPHONE: PRIORY 2231-4 TELEGRAMS: STRATNOID, BIRMINGHAM

EDDYSTONE

FLEXIBLE COUPLERS. TECHNICAL DETAILS.



ITEM No.	DESCRIPTION.	MATERIAL.	FINISH.
1	MOULDING	WHITE BEETLE *	NATURAL
2	ARMS.	PH. BRONZE.	NICKEL PLATED.
3	HUBS.	BRASS.	" "
4	GRUB SCREWS.	STEEL	ZINC PLATE & PASSIVATE.
5	RIVETS.	COPPER.	NICKEL PLATED.

* CAT. No. 893. MOULDING IS MADE OF BAKELITE GRADE X17163. (NYLON LOADED.)

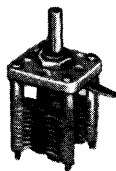
CAT. No.	DIMENSIONS. (INS.)							PROOF VOLTAGE.	WEIGHT
	A	B	C	D	E	F	G		
50	1 ¹⁷ / ₃₂	15 ¹ / ₁₆	11 ¹ / ₃₂	1/2 DIA.	7 ⁷ / ₃₂	.2505. .252.	1/2	6,750	.75 OZS
893	1 ³ / ₆₄	27 ¹ / ₃₂	15 ¹ / ₆₄	1/2 DIA.	7 ⁷ / ₃₂		13 ¹ / ₃₂	3,750	.56 OZS
529	1 ³ / ₆₄	27 ¹ / ₃₂	15 ¹ / ₆₄	3/8 DIA.	7 ⁷ / ₃₂		13 ¹ / ₃₂	3,750	.33 OZS
550	21 ¹ / ₃₂	19 ¹ / ₃₂	1/4	1/4 DIA.	5 ⁵ / ₃₂	.1565 .158	9 ⁹ / ₃₂	2,500	.16 OZS

NOTE :- PROOF VOLTAGE IS R.M.S. AT 50 CYCLES FOR ONE MINUTE

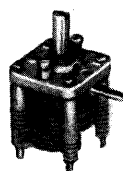


MINIATURE VARIABLE CAPACITORS

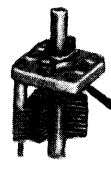
Cat. Nos. 551 : 552 : 553 : 884



551



552



553

GENERAL DESCRIPTION

Where space is restricted or where physically small components are advantageous — e.g. in VHF equipment — these specially developed miniature capacitors will prove most useful. They are of robust construction and well able to stand up to continuous operation.

Mounting is effected with two 8 BA screws and spacing pillars through the endplate, at $\frac{9}{16}$ " centres symmetrical about the centre line of the endplate. Parts for the purpose are supplied.

- Endplate : Single Frequentite ceramic $\frac{3}{4}$ " square, $\frac{1}{8}$ " thick.
- Vanes : Brass .015" thick, soldered to supports.
- Bush : Brass, with beryllium-copper thrust washer.
- Spindle : .156" diameter, slotted both ends.
- Finish : Heavy silver plate.

These capacitors are **QUALITY APPROVED** to R.C.S. 141, Issue 2, Humidity Class H1, Temperature Category 40/100. R.C.S.C. Ref. No. 1022/1 (1660).

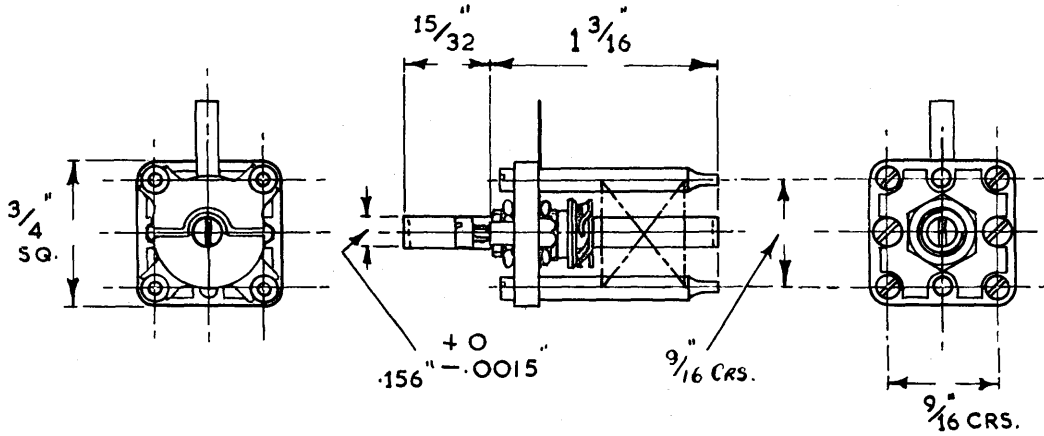
J357 Printed in England

STRATTON & CO., LTD.

EDDYSTONE WORKS : BIRMINGHAM 31 : ENGLAND ✓
TELEPHONE: PRIORY 2231-4 TELEGRAMS: STRATNOID, BIRMINGHAM

EDDYSTONE

MINIATURE VARIABLE CAPACITORS. TECHNICAL DETAILS.

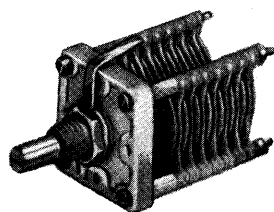


CAT. No.	TYPE	CAPACITANCE (P.F.)		PROOF VOLTAGE	AIR GAP. (INS.)	No OF VANES.		NET WEIGHT (OZS)
		MIN.	MAX.			ROTOR.	STATOR.	
551	BUTTERFLY.	PER SECTION. 4.5	28.5	500	.01	10	9	.792
		SERIES GAP. 2.8	14.5					
552	180° SPLIT STATOR	PER SECTION. 3.5	21.5	500	.01	4	4	.739
		SERIES GAP. 2.0	11.5					
553	SINGLE SECTION.	3.5	54	500	.01	10	9	.676
884	DIFFERENTIAL.	4	50	500	.01	10	9 PER SECTION.	.856

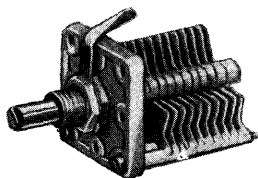
NOTES:- PROOF VOLTAGE IS R.M.S. AT 50 CYCLES FOR ONE MINUTE.
THE HIGHEST MINIMUM AND LOWEST MAXIMUM VALUES OF CAPACITANCE ARE GIVEN.



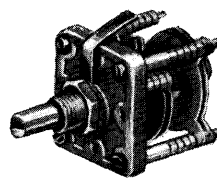
CERAMIC MICRODENSERS



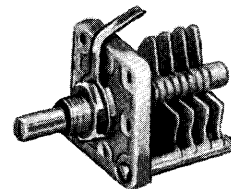
587



589



476



580

The information given here applies to a comprehensive range of small variable capacitors, well designed electrically and mechanically, and able to stand up to continuous usage under all reasonable conditions.

With the exception of the Cat. No. 581, all types listed are single hole fixing. The Cat. No. 581 has a short bush and spindle, and is two-hole fixing, the parts being supplied.

Single-section, split-stator, butterfly and differential capacitors are available. The law is substantially straight line capacitance.

All metal parts are silver-plated. The stator lugs and the stout earthing tag accept solder readily and sound connections are assured.

Endplate : Single ceramic, $\frac{5}{16}$ " square by $\frac{3}{16}$ " thick.

Vanes : Brass .022" thick, soldered to their supports.

Bush : Brass $\frac{3}{8}$ " diameter, with beryllium copper or phosphor bronze thrust washer.

Spindle : $\frac{1}{4}$ " diameter, brass, with screwdriver slot.

Finish : Heavy silver -plate.

These capacitors are QUALITY APPROVED to R.C.S. 141, Issue 2, Humidity Class H1, Temperature Category 40/100. R.C.S.C. Ref. No. 1038/2 (1660).

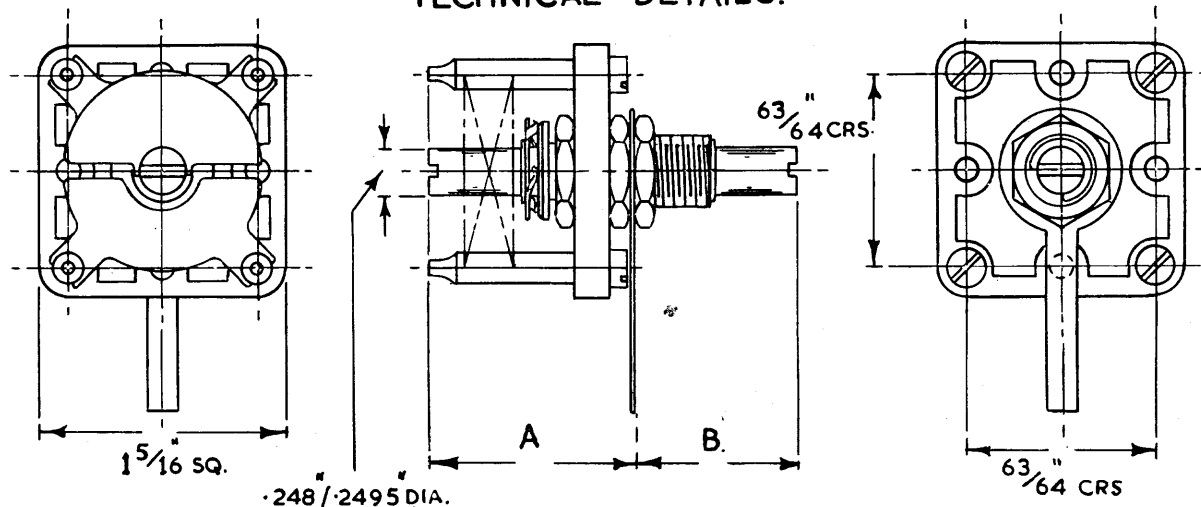
J357 Printed in England

STRATTON & CO., LTD.

EDDYSTONE WORKS : BIRMINGHAM 31 : ENGLAND ✓
TELEPHONE: PRIORY 2231-4 TELEGRAMS: STRATNOID, BIRMINGHAM

EDDYSTONE

VARIABLE CAPACITORS. TECHNICAL DETAILS.



CAT No.	TYPE.	CAPACITANCE. (pF)		PROOF VOLTAGE	AIR GAP. (INS)	No. OF VANES.		NET WEIGHT (OZS).	DIMENSIONS. (INS)	
		MIN.	MAX.			ROTOR.	STATOR.		A	B
476	180° SPLIT STATOR	PER SECTION. 3.25 SERIES GAP. 2	15 7.5	900. 1,750.	.020	2 PER SECTION.	2 PER SECTION.	2.10	$1\frac{7}{16}$ "	$\frac{7}{8}$ "
580	SINGLE SECTION.	4	13.5	2,300.	.062	4	4	1.94	$1\frac{7}{16}$ "	$\frac{7}{8}$ "
581	"	4	6.3	780.	.020	8	7	2.15	$1\frac{11}{16}$ "	—
582	"	4	62	950.	.020	8	7	2.29	$1\frac{7}{16}$ "	$\frac{7}{8}$ "
583	180° SPLIT STATOR	PER SECTION. 4 SERIES GAP. 3	23 12	820 1,600.	.020	3 PER SECTION.	3 PER SECTION.	2.43	$1\frac{7}{16}$ "	$\frac{7}{8}$ "
584	BUTTERFLY.	PER SECTION. 7 SERIES GAP. 4	31 18	970. 1,740.	.020	8	7 PER SECTION.	2.50	$1\frac{7}{16}$ "	$\frac{7}{8}$ "
585	SINGLE SECTION.	4.5	91	780.	.015	11	10	2.28	$1\frac{9}{16}$ "	$1\frac{3}{16}$ "
586	"	5.25	140	600.	.015	16	15	3.05	$1\frac{15}{16}$ "	$1\frac{3}{16}$ "
587	BUTTERFLY.	6.25	16	1,740. 3,300.	.052	8	7 PER SECTION.	2.78	$1\frac{15}{16}$ "	$\frac{7}{8}$ "
588	SINGLE SECTION.	5	27.5	1,850.	.052	8	7	2.38	$1\frac{15}{16}$ "	$1\frac{3}{16}$ "
589	"	5	60	1,000.	.030	11	10	2.62	$1\frac{7}{8}$ "	$1\frac{3}{16}$ "
719	DIFFERENTIAL.	3.25	26	950.	.020	4	3 PER SECTION.	2.10	$1\frac{1}{16}$ "	$\frac{7}{8}$ "
739	BUTTERFLY.	PER SECTION. 4.25 SERIES GAP. —	10 —	2,000 3,700	.052	5	4 PER SECTION.	2.27	$1\frac{9}{16}$ "	$1\frac{3}{16}$ "

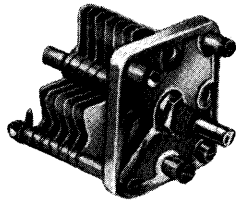
NOTES:— PROOF VOLTAGE IS RMS AT 50 CYCLES FOR ONE MINUTE.

THE HIGHEST MINIMUM AND LOWEST MAXIMUM VALUES OF CAPACITANCE ARE GIVEN.

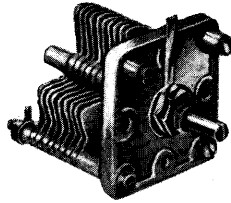


TRANSMITTING VARIABLE CAPACITORS

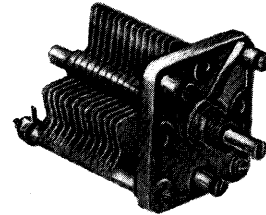
on 2" end-plate



815



816



817

Mechanically of strong construction and most efficient electrically. The metal work is brass, with the vanes soldered to the supporting bars. The single rotor contact obviates loops and undesirable circulating currents. Fixing parts (nuts, bolts, washers and distance pieces) are included.

Endplate : Frequentite ceramic 2" square, $\frac{7}{32}$ " thick.

Vanes : Brass .028" thick.

Bush : Brass, with phosphor-bronze thrust washer.

Law : S L C.

Mounting : Three hole, with parts provided.

Finish : Matt silver plate.

Spindle has screwdriver slot at each end.

These capacitors are QUALITY APPROVED to R.C.S. 141, Issue 2, Humidity Class H1, Temperature Category 40/100. R.C.S.C. Ref. No. 1038/2 (1660).

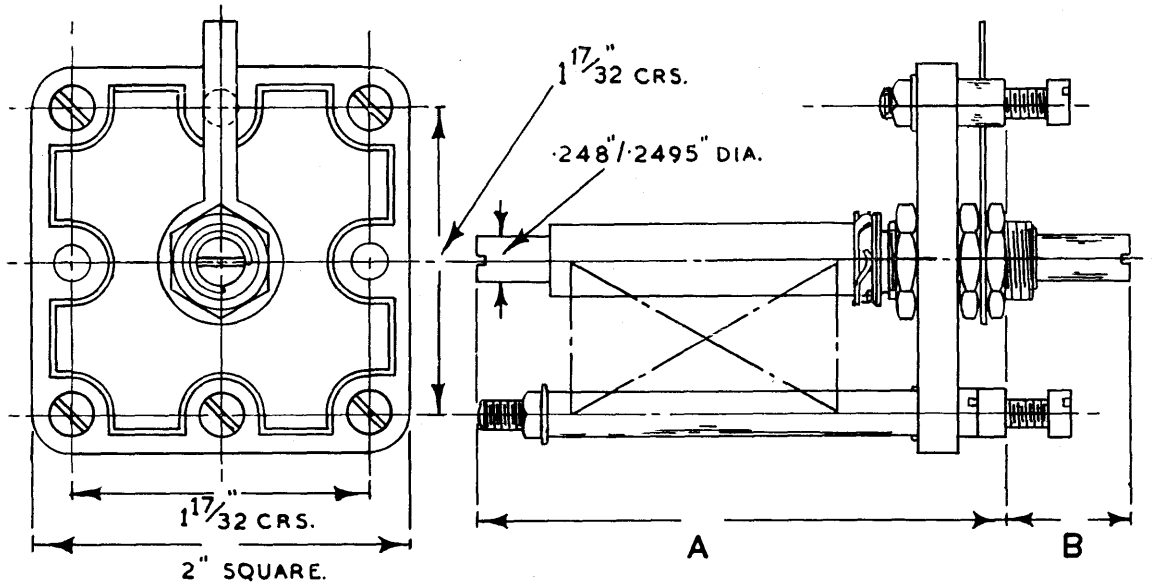
J357 Printed in England

STRATTON & CO., LTD.

EDDYSTONE WORKS : BIRMINGHAM 31 : ENGLAND ✓
TELEPHONE: PRIORY 2231-4 TELEGRAMS: STRATNOID, BIRMINGHAM

EDDYSTONE

VARIABLE TRANSMITTING CAPACITORS. TECHNICAL DETAILS.



CAT. No.	TYPE.	CAPACITANCE (pF)		PROOF VOLTAGE	AIR GAP. (INS)	No. OF VANES.		NET WEIGHT (OZS)	DIMENSIONS (INS.)	
		MIN.	MAX.			ROTOR.	STATOR.		A.	B.
815	SINGLE SECTION.	7.5	67	1700	.048	7	6	6	2 9/32	2 1/32
816	"	9	190	1000	.024	10	9	6.75	2 11/32	2 1/32
817	"	11	270	1100	.024	14	13	8.25	2 25/32	2 1/32
818	BUTTERFLY.	6.5	31	1700	.048	7	6 PER SECTION.	7	2 9/32	2 1/32

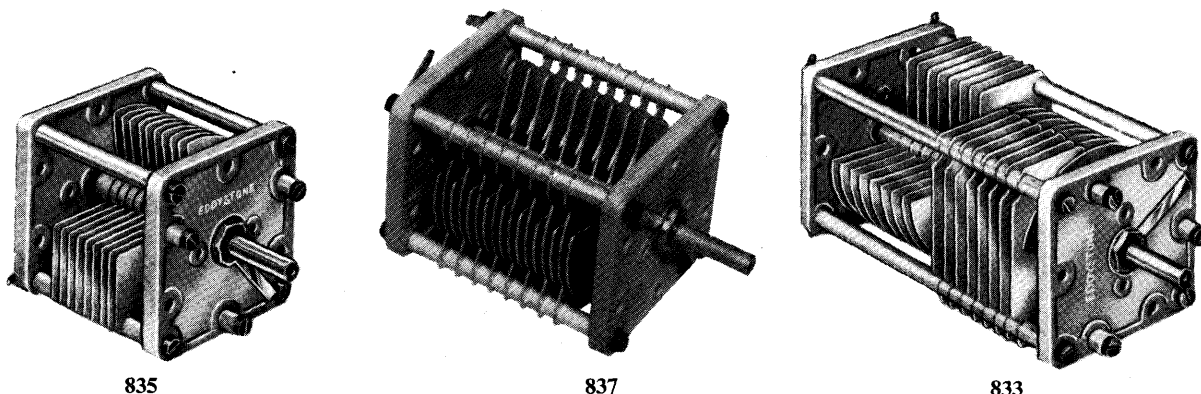
NOTES :- PROOF VOLTAGE IS R.M.S. AT 50 CYCLES FOR ONE MINUTE.

THE HIGHEST MINIMUM AND LOWEST MAXIMUM VALUES OF CAPACITANCE ARE GIVEN.



TRANSMITTING VARIABLE CAPACITORS

on $2\frac{1}{2}$ " square ceramic end plates.



A comprehensive range of transmitting variable capacitors, mounted on ceramic end plates $2\frac{1}{2}$ " square, $\frac{1}{4}$ " thick, and having double bearings. They are well constructed mechanically and are electrically most efficient. The metal parts are brass, with the vanes soldered to the supporting bars. Finish is matt silver plate. The single rotor contact obviates the possibility of loops and circulating current. The capacitors are three-hole fixing, the necessary parts (nuts, bolts, washers and distance pieces) being included.

These capacitors are **QUALITY APPROVED** to R.C.S. 141, Issue 2, Humidity Class H1, Temperature Category 40/100. R.C.S.C. Ref. No. 1038/2 (1660).

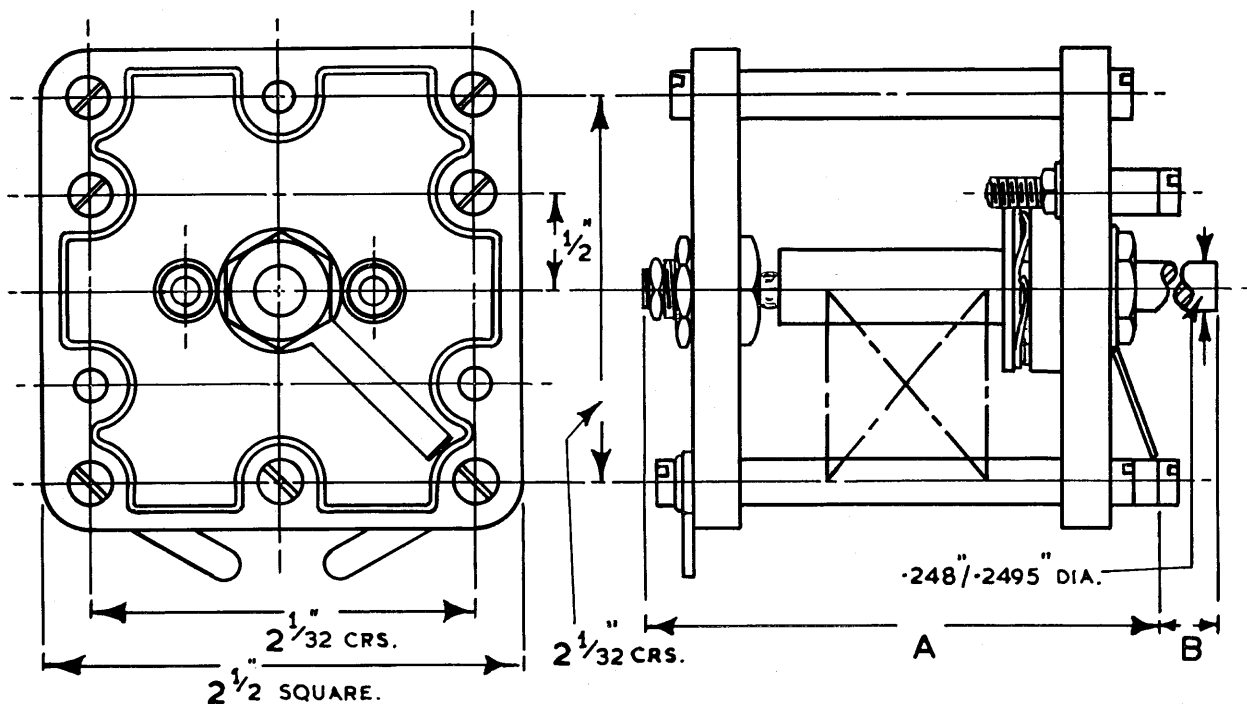
J357 Printed in England

STRATTON & CO., LTD.

EDDYSTONE WORKS : BIRMINGHAM 31 : ENGLAND
TELEPHONE: PRIORY 2231-4 TELEGRAMS: STRATNOID, BIRMINGHAM

EDDYSTONE

TRANSMITTING CAPACITORS TECHNICAL DETAILS



CAT. No.	TYPE.	CAPACITANCE (PF)		PROOF VOLTAGE.	AIR GAP (INS)	No. OF VANES.		NET WEIGHT (OZS)	DIMENSION (INS)	
		MIN.	MAX.			ROTOR.	STATOR.		A.	B.
831	SPLIT-STATOR.	9	28	2500 PER SECTION	.080	3 PER SECTION.	2 PER SECTION.	12.9	$3\frac{1}{8}$	$\frac{7}{8}$
832	" "	9	51	2500 PER SECTION	.080	5 PER SECTION.	4 PER SECTION.	17.5	$4\frac{1}{16}$	"
833	" "	18	97.4	2,500 PER SECTION.	.080	9 PER SECTION.	8 PER SECTION.	29	$5\frac{29}{32}$	"
834	DIFFERENTIAL.	8.9	73	2500 PER SECTION	.080	9	8 PER SECTION.	20.5	$3\frac{5}{8}$	"
835	SINGLE SECTION.	17.6	237.3	1,250.	.040	10	9	16.75	$3\frac{5}{8}$	"
836	"	13.6	112	2500	.080	9	8	16.25	$3\frac{5}{8}$	"
837	BUTTERFLY.	13.5	53	2400	.080	9	8 PER SECTION.	16	$3\frac{5}{8}$	"
839	SINGLE SECTION.	28	390	1250	.040	16	15	22.75	$4\frac{1}{16}$	"

NOTE:- PROOF VOLTAGE IS R.M.S. AT 50 CYCLES FOR ONE MINUTE THE HIGHEST MINIMUM AND LOWEST MAXIMUM VALUES OF CAPACITANCE ARE GIVEN



SLOW MOTION DRIVING HEAD

Cat. No. 892

Totally enclosed, ball-bearing epicyclic type. Front coupling spindle threaded and flatted for dial. Control spindle is hardened, ground and polished. Balls are steel, to close tolerances.

Finish : panel mounting flange is nickel-plated, remainder natural.

Lubrication : Grease to Spec. DTD. 825.

Weight : 3 ozs.

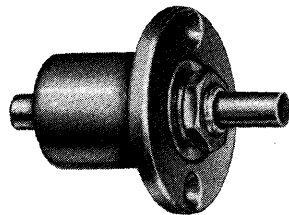
Ratio : 10 to 1 $\pm 5\%$.

Backlash : 10 degrees maximum.

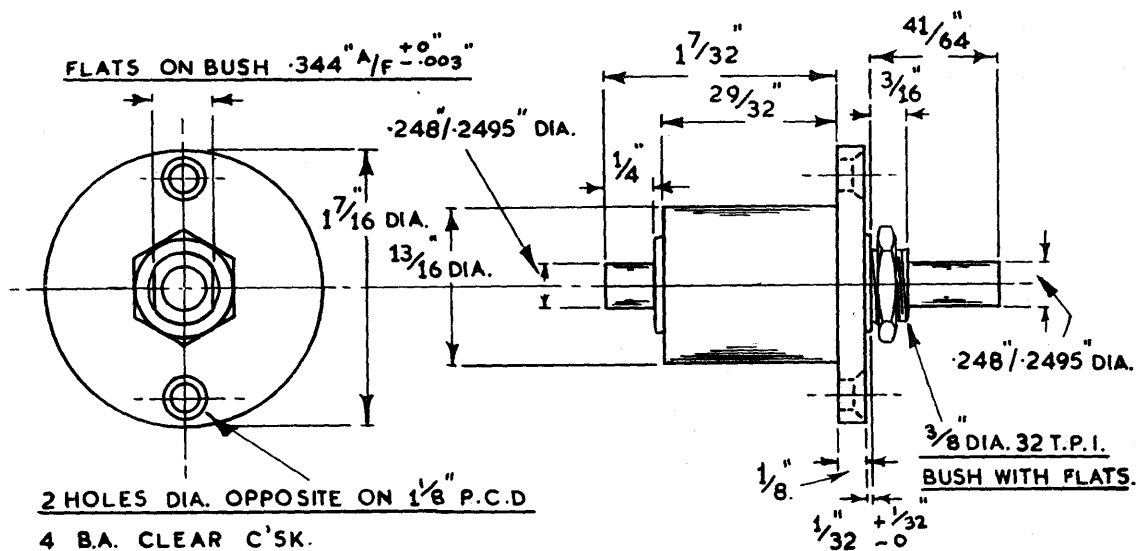
Output torque/slip : 10% at 20 ozs./ins.

20% at 27.5 ozs./ins.

Above figures are maintained after 20,000 cycles of operation at 85°C. (one cycle equals five full turns of the control spindle in each direction). The backlash figure is for full 360° rotation of the **coupling** spindle in either direction. All figures taken with no load.



892



J357 Printed in England

STRATTON & CO., LTD.

EDDYSTONE WORKS

BIRMINGHAM 31

ENGLAND ✓

TELEPHONE: PRIORY 2231-4

TELEGRAMS: STRATNOID, BIRMINGHAM

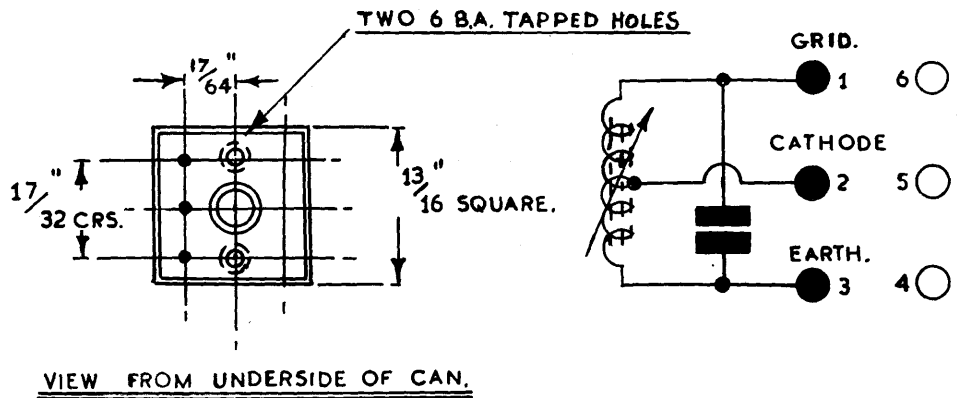
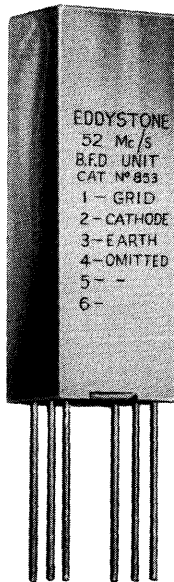
EDDYSTONE RADIO

DATA SHEET
No. **D.S.112**
(MAY, 1955)

B.F.O. UNITS

Cat. No. 852 455 Kc/s. Cat. No. 855 5.2 Mc/s.

Two of a series of small I.F. units, mounted in aluminium screening cans $2\frac{1}{2}$ " high.



CAT. No. 852

Capacitor across winding 100 pF.

"Q" at 455 kc/s. = 60.

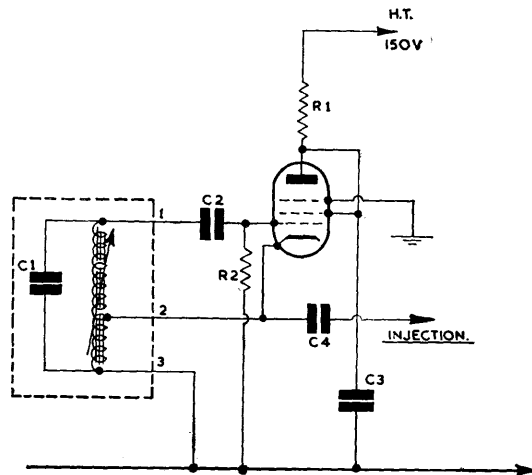
Weight .75 oz.

Cat. No. 855

Capacitor across winding 100 pF.

"Q" at 5.2 Mc/s. = 110.

Weight .72 oz.



COMPONENT VALUES.

<u>C1</u> 100 pF.	<u>R1</u> 47,000Ω
<u>C2</u> " "	<u>R2</u> 22,000Ω
<u>C3</u> .01 mFD.	
<u>C4</u> 1 - 5 pF.	

VALVE. 6AU6.

TYPICAL B.F.O. CIRCUIT.

(EDDYSTONE CAT. No. 852 455 KC/S. & 855 5.2 MC/S.)

B P 830.

For variable pitch control, use Cat. No. 580 Microdenser (12.5 pF max.).

J357 Printed in England

STRATTON & CO., LTD.

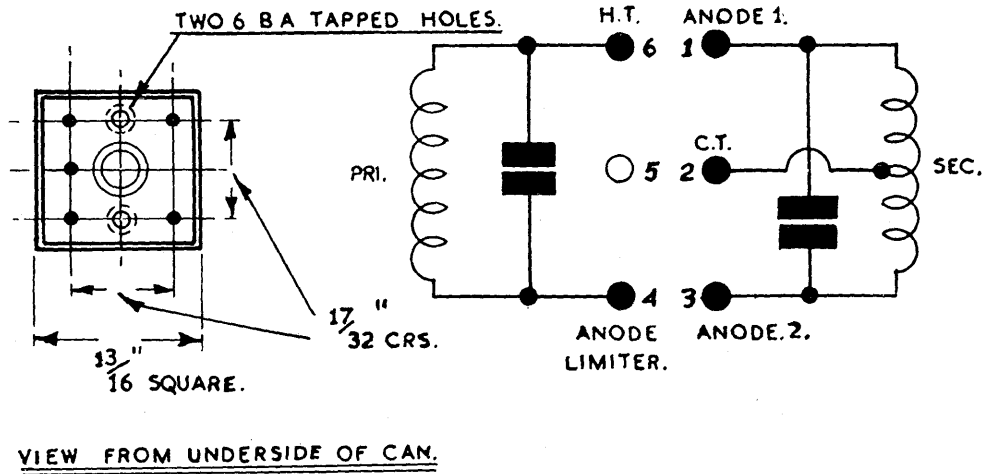
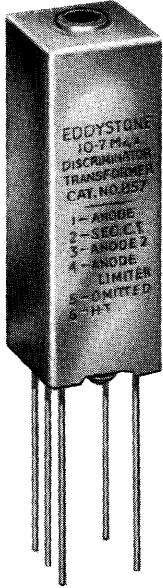
EDDYSTONE WORKS : BIRMINGHAM 31 : ENGLAND ✓
TELEPHONE: PRIORY 2231-4 TELEGRAMS: STRATNOID, BIRMINGHAM



DISCRIMINATOR TRANSFORMERS

Cat. No. 854 5.2 Mc/s. Cat. No. 857 10.7 Mc/s.

Two of a series of small I.F. units, mounted in aluminium screening cans $2\frac{1}{2}$ " high.



Cat. No. 854

Capacitor across primary 100 pF.

Capacitor across secondary 50 pF.

"Q" at 5.2 Mc/s.

Primary .. 110
Secondary .. 80

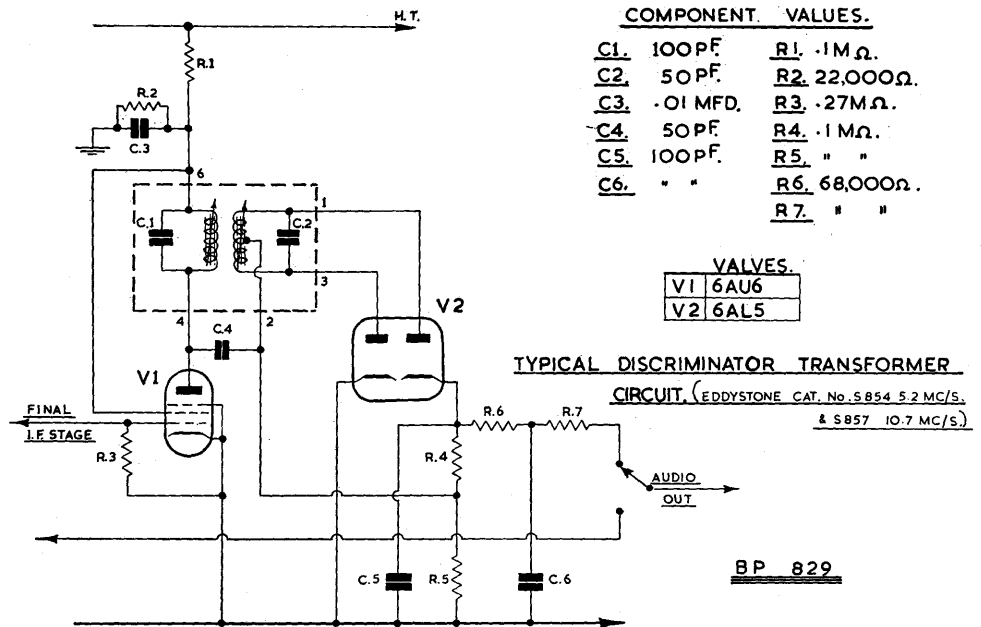
Cat. No. 857

Capacitor across primary 100 pF.

Capacitor across secondary 50 pF.

"Q" at 10.7 Mc/s.

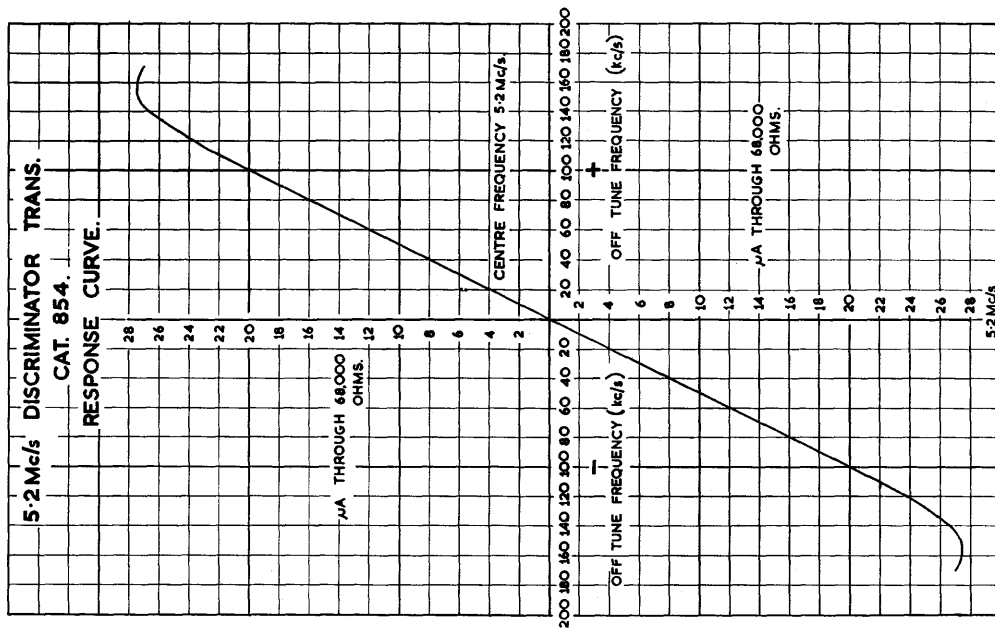
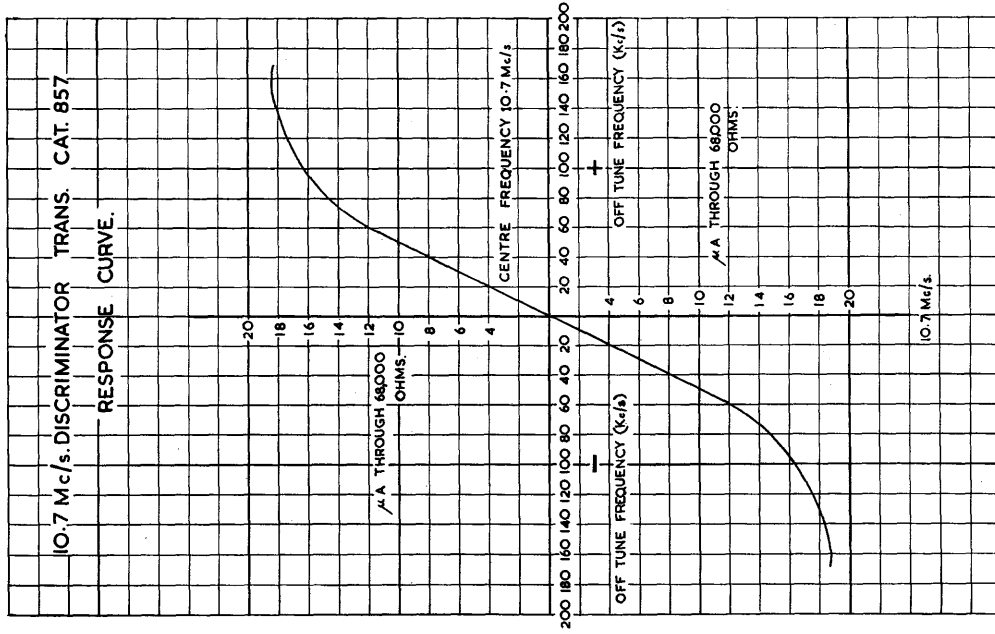
Primary .. 105
Secondary .. 110



STRATTON & CO., LTD.

EDDYSTONE WORKS : BIRMINGHAM 31 : ENGLAND
TELEPHONE: PRIORY 2231-4 TELEGRAMS: STRATNOID, BIRMINGHAM

EDDYSTONE



EDDYSTONE RADIO

DATA SHEET

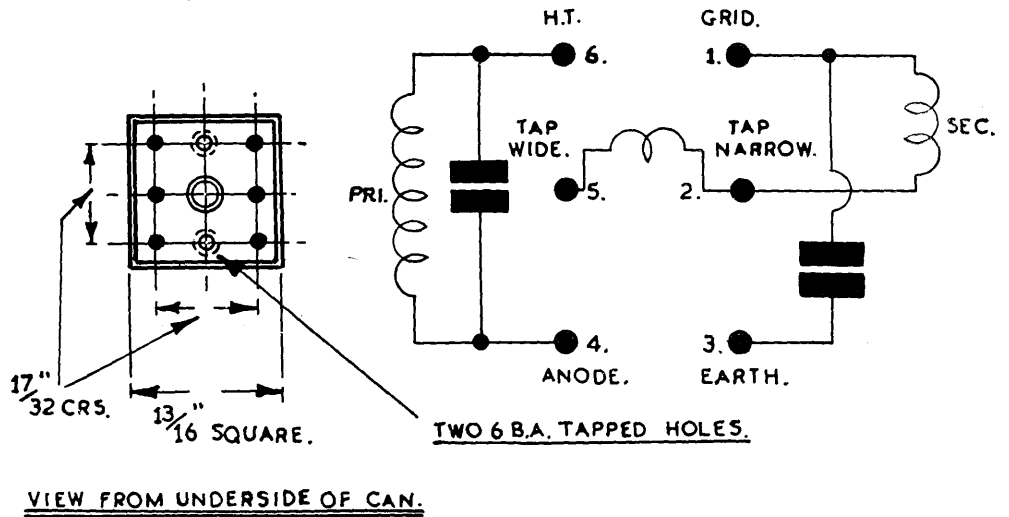
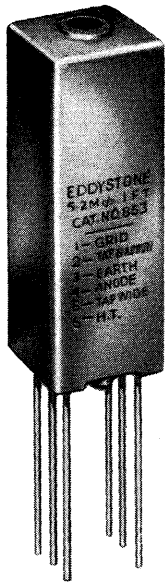
No. **D.S.114**

(MAY, 1955)

5.2 Mc/s. I.F. TRANSFORMER

Cat. No. 853

One of a series of small I.F. units, mounted in aluminium screening cans $2\frac{1}{2}$ " high.



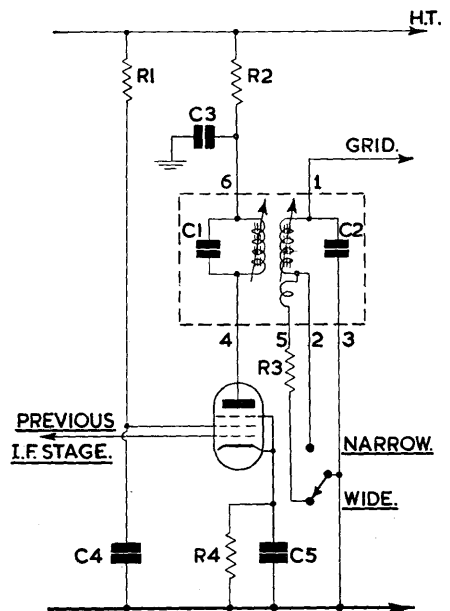
Parallel capacitors 100 pF.

"Q" at 5.2 Mc/s. :-

Primary .. 110

Secondary .. 125

Weight .55 oz.



COMPONENT VALUES.

C1	100 pF.	R1	33,000Ω.
C2	" "	R2	1,000Ω.
C3	0.1 MFD.	R3	22Ω.
C4	" "	R4	68Ω.
C5	" "		

VALVE 6BA6.

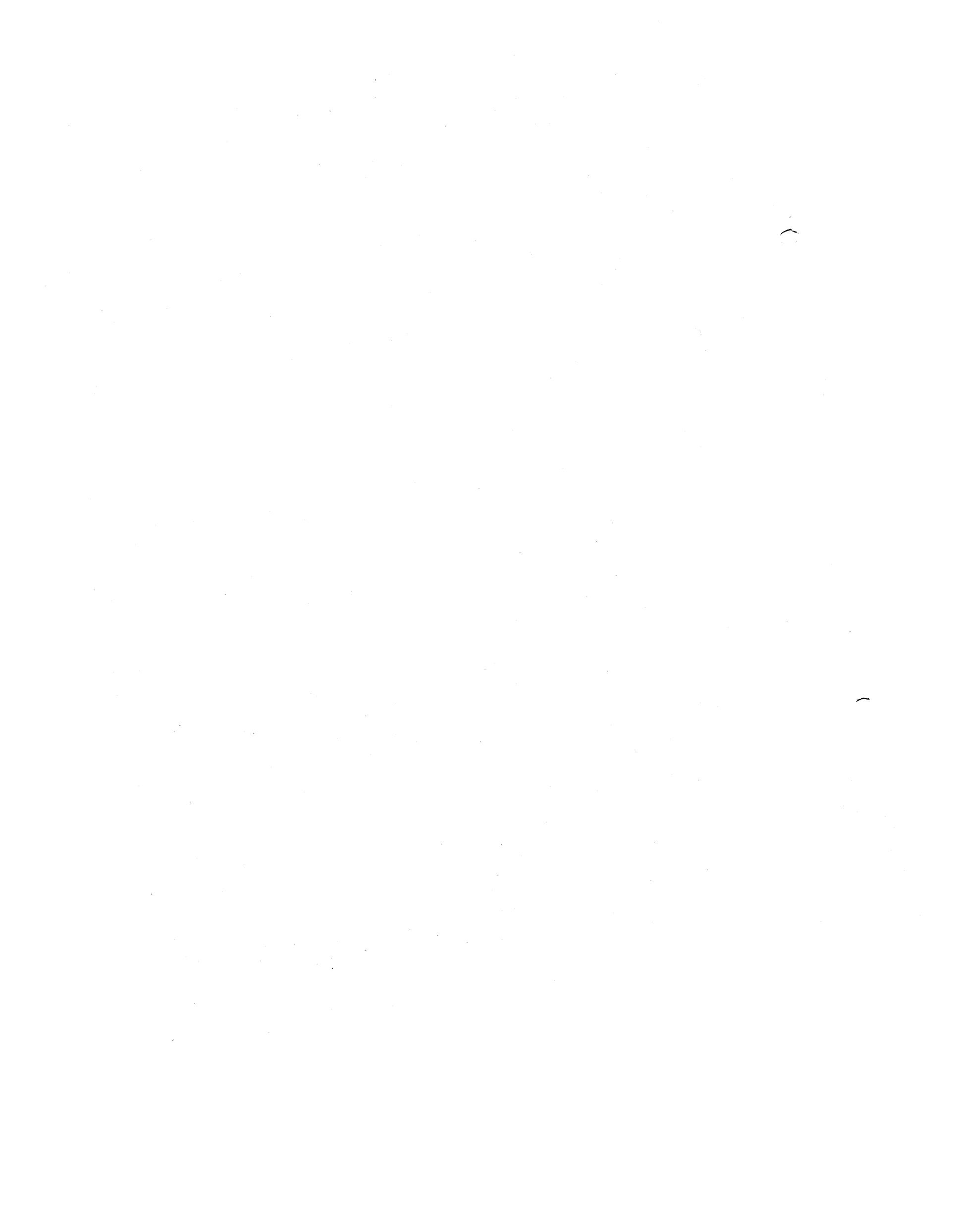
TYPICAL I.F. TRANSFORMER CIRCUIT.
(5.2 Mc/s. EDDYSTONE CAT. No. 853.)

BP 827.

J357 Printed in England

STRATTON & CO., LTD.

EDDYSTONE WORKS : BIRMINGHAM 31 : ENGLAND
TELEPHONE: PRIORY 2231-4 TELEGRAMS: STRATNOID, BIRMINGHAM

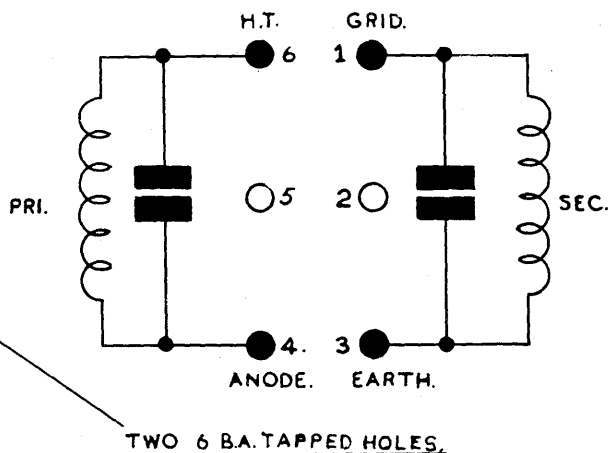
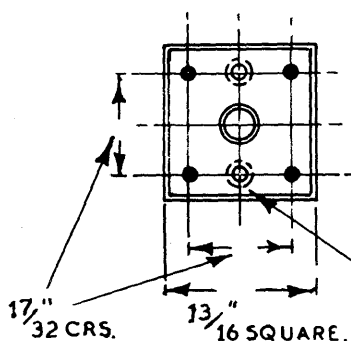
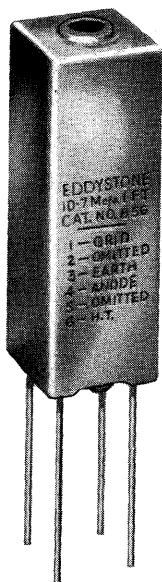




I.F. TRANSFORMERS

Cat. No. 851 455 kc/s. Cat. No. 856 10.7 Mc/s.

One of a series of small I.F. units, mounted in aluminium screening cans $2\frac{1}{2}$ " high.



VIEW FROM UNDERSIDE OF CAN

Cat. No. 851

Parallel capacitors 100 pF.

"Q" at 455 kc/s.=95

Weight 1 oz.

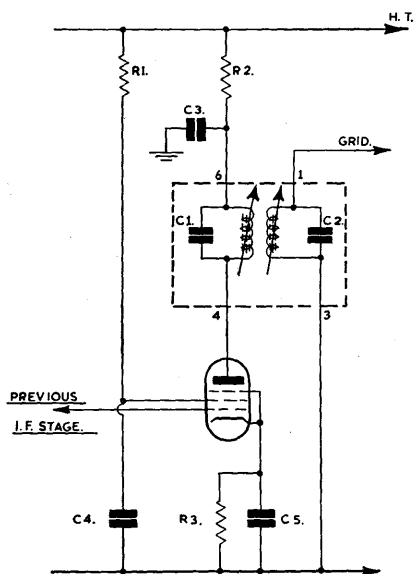
Cat. No. 856

Parallel capacitors 100 pF.

"Q" at 10.7 Mc/s.=105

Weight .75 oz.

With Cat. No. 851 Transformer, substitute 0.1 μ F capacitors for C3, C4, C5.



COMPONENT VALUES.	
C1. 100 PF.	R1 33,000 Ω
C2. "	R2 1,000 Ω
C3. .01 MFD.	R3 68 Ω
C4. "	
C5. "	

VALVE 6 BA 6.

TYPICAL I. F. TRANSFORMER CIRCUIT.
(10.7 MC/S. EDDYSTONE CAT. No S 856)

BP 828.

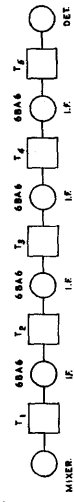
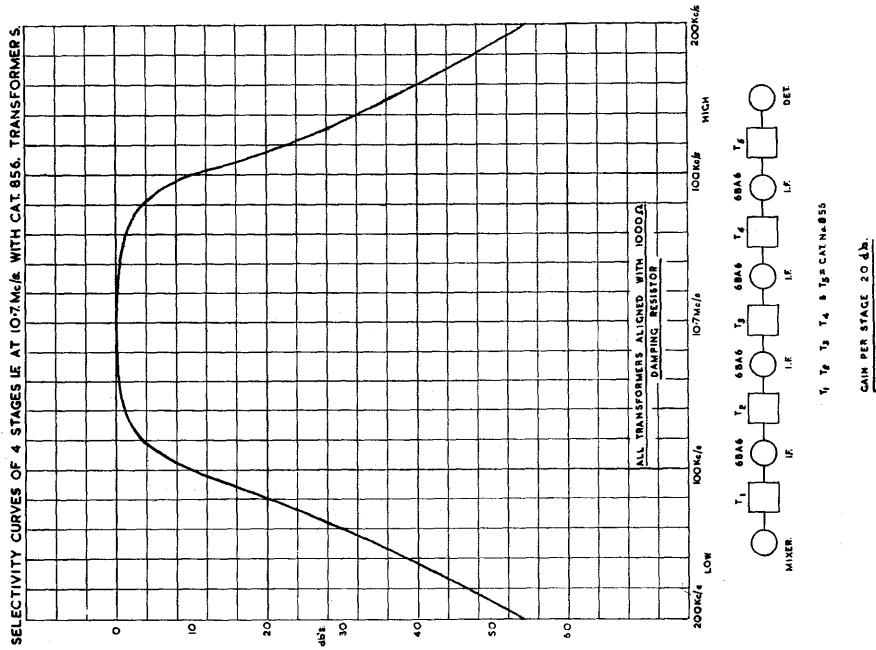
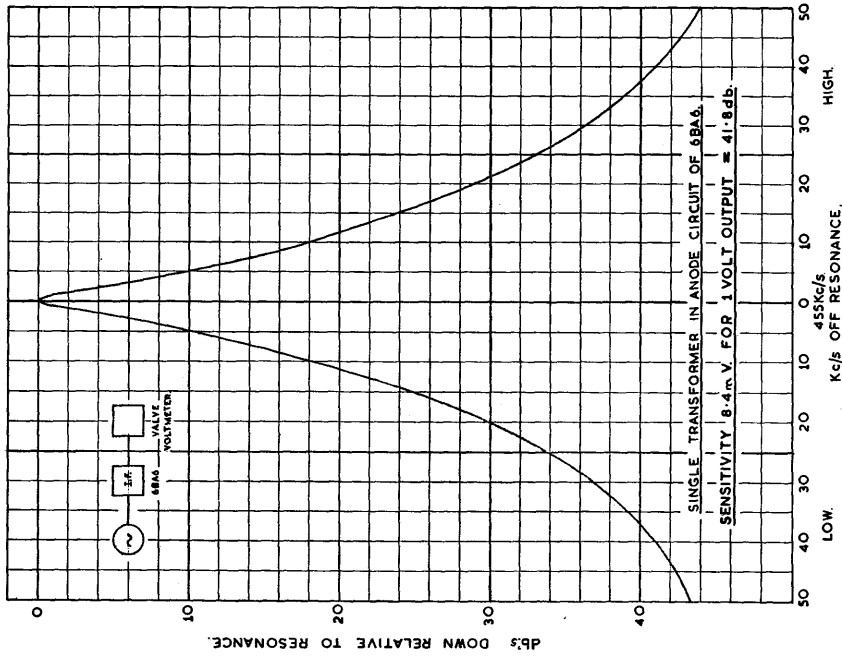
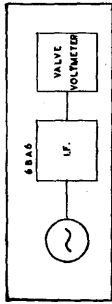
STRATTON & CO., LTD.

EDDYSTONE WORKS : BIRMINGHAM 31 : ENGLAND
TELEPHONE: PRIORY 2231-4 TELEGRAMS: STRATNOID, BIRMINGHAM

EDDYSTONE

SELECTIVITY CURVE I.F. TRANSFORMER 455 Kc/s.
CAT. 851

SINGLE TRANSFORMER IN ANODE CIRCUIT OF 6BA6.



T₁ T₂ T₃ T₄ & T₅ CAT. 855
GAIN PER STAGE 20 db



DIECAST LOUDSPEAKER

Cat. Nos. 688, 697, 811



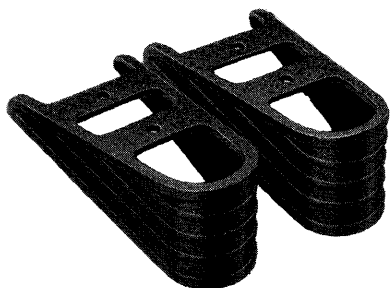
This efficient speaker is recommended for use with communications receivers. The case is a substantial diecasting of aluminium alloy and the absence of case resonance is a definite advantage. The speaker unit proper is a permanent magnet type 5" diameter and the winding has an impedance of 2.5 to 3 ohms.

Overall diameter is 7". Each model is identical except for the colours, which match the receivers in the Eddystone range. Polished chromium plated feet enhance the appearance. A length of connecting lead is provided.

Cat. No. 688 black ripple ; Cat. No. 697 brown ripple ;
Cat. No. 811 polychromatic grey finish.

RECEIVER MOUNTING BLOCKS

Cat. Nos. 774, 812



These substantially made blocks are for placing underneath a receiver, so lifting the front panel about $2\frac{1}{2}$ " above table level. A more convenient operating position is thus obtained and the dial scales come more in line with the eye. Provision is made on the cabinets of Eddystone receivers for easy attachment of the blocks but they can also be held in place by the weight of the receiver alone.

Dimensions are $6\frac{1}{4}$ " long by $2\frac{1}{2}$ " deep in front. Material is diecast aluminium. Cat. No. 774 blocks are finished ripple black ; Cat. No. 812 are polychromatic grey. Fixing screws are supplied.

STRATTON & CO., LTD.

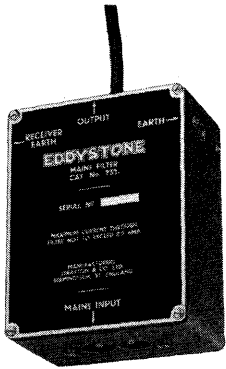
EDDYSTONE WORKS
TELEPHONE : PRIORY 2231-4

: BIRMINGHAM 31 : ENGLAND
TELEGRAMS : STRATNOID, BIRMINGHAM

EDDYSTONE

MAINS FILTER UNIT

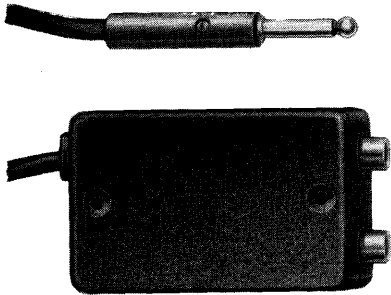
Cat. No. 732



Interference generated by electrical machinery or appliances can at times be troublesome and it is often carried over mains wiring for quite a distance. For this reason, in some locations the noise audible in a receiver is much higher than it should be and it is desirable to take remedial steps. The Eddystone Cat. No. 732 Mains Filter Unit has been designed specifically for use in such circumstances and will be found particularly efficient in very considerably reducing, if not completely eliminating, mains-borne interference which is proving annoying, especially on short and medium wavelengths. There are several alternative methods of connecting the unit, one of which will usually be found more effective than the others. The Unit takes the form of a small, well-finished metal box (which itself screens the internal components) and is supplied with all necessary plugs and socket. The device is fitted between the mains supply point and the receiver, following the instructions provided.

DUAL JACK UNIT

Cat. No. 879



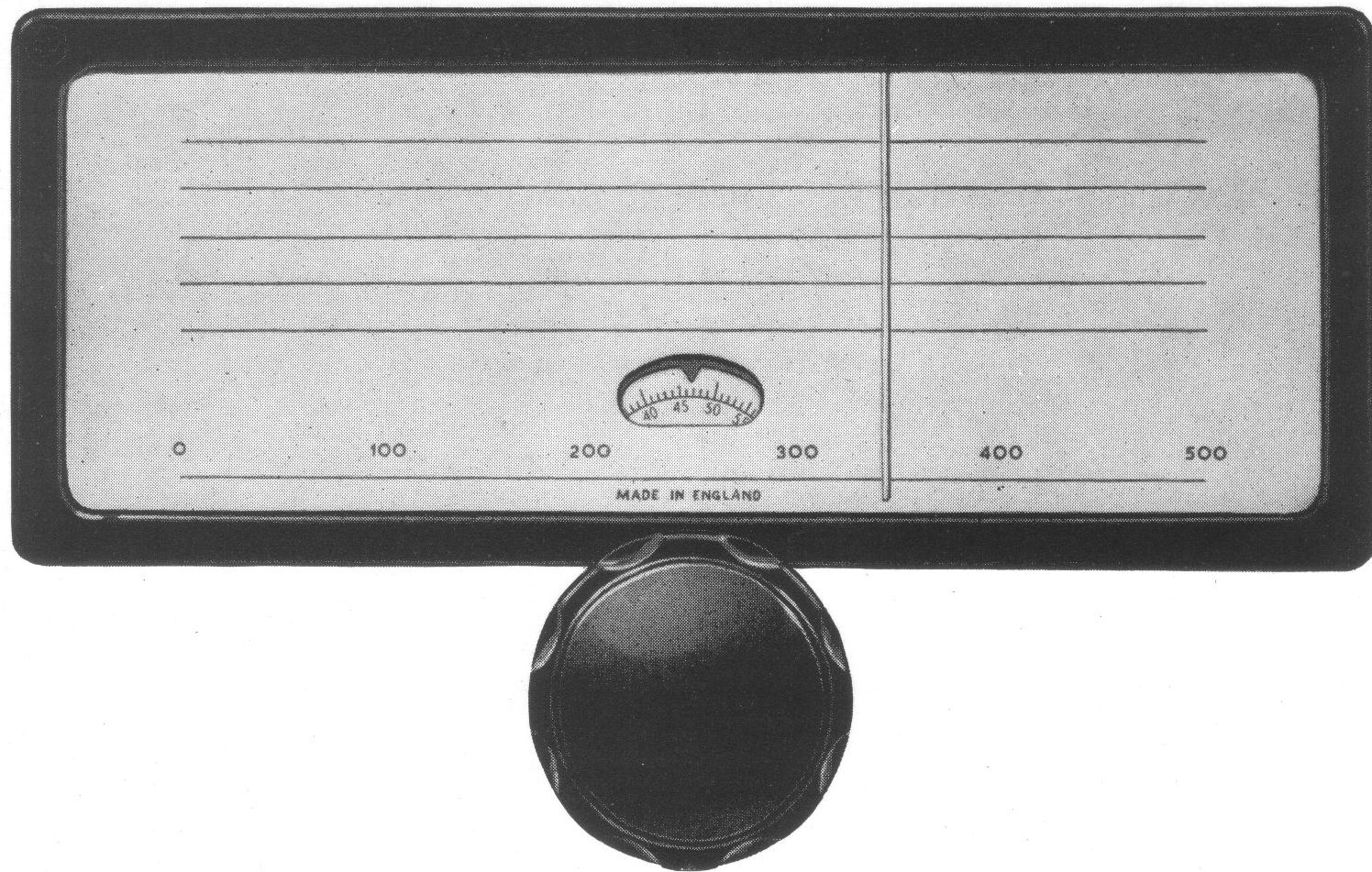
It is often desirable for two operators to listen to signals coming from a single receiver, without making use of a loudspeaker. The Cat. No. 879 Unit is designed for this purpose. The telephone plug (tip and sleeve type) fits a jack of the standard type, and has attached to it a length of flexible lead. Two jacks, contained in a small diecast box, are wired in series and allow the use of two pairs of telephones. The box is finished a light grey ripple and can be mounted above or below the operating table.

Printed in England



GEARED SLOW-MOTION DRIVE ASSEMBLY

Cat. No. 898



A high grade assembly designed for instrument applications. The movement is gear-driven and flywheel loaded, giving a smooth, positive drive, with a reduction ratio of 110 to 1.

The pointer has a horizontal travel of 7 inches. A circular vernier scale, marked over 100 divisions, rotates five times for one traverse of the pointer, and, read with the "100" scale on the dial, provides a total of 500 divisions. The dial has five lines to take calibration markings.

A diecast escutcheon, finished glossy black, is supplied and the assembly is complete with perspex window, knob, fixing screws, and mounting template. It is suitable for mounting on metal or wooden panels up to 7 mm. thick. Overall external dimensions are $9\frac{3}{16}$ " (23.34 cms.) by $5\frac{3}{4}$ " (14.6 cms.). Weight is approximately 1 lb. 14 ozs. (.85 kilogrammes).

Exclusive Canadian Distributor

CONWAY ELECTRONIC ENTERPRISES LIMITED

88-90 Arrow Road, Weston, Ontario, Canada

Telephone Area Code 416 244-5655 (4 lines)

EDDYSTONE

SLOW MOTION GEAR-DRIVE ASSEMBLY

Cat. No. 898

