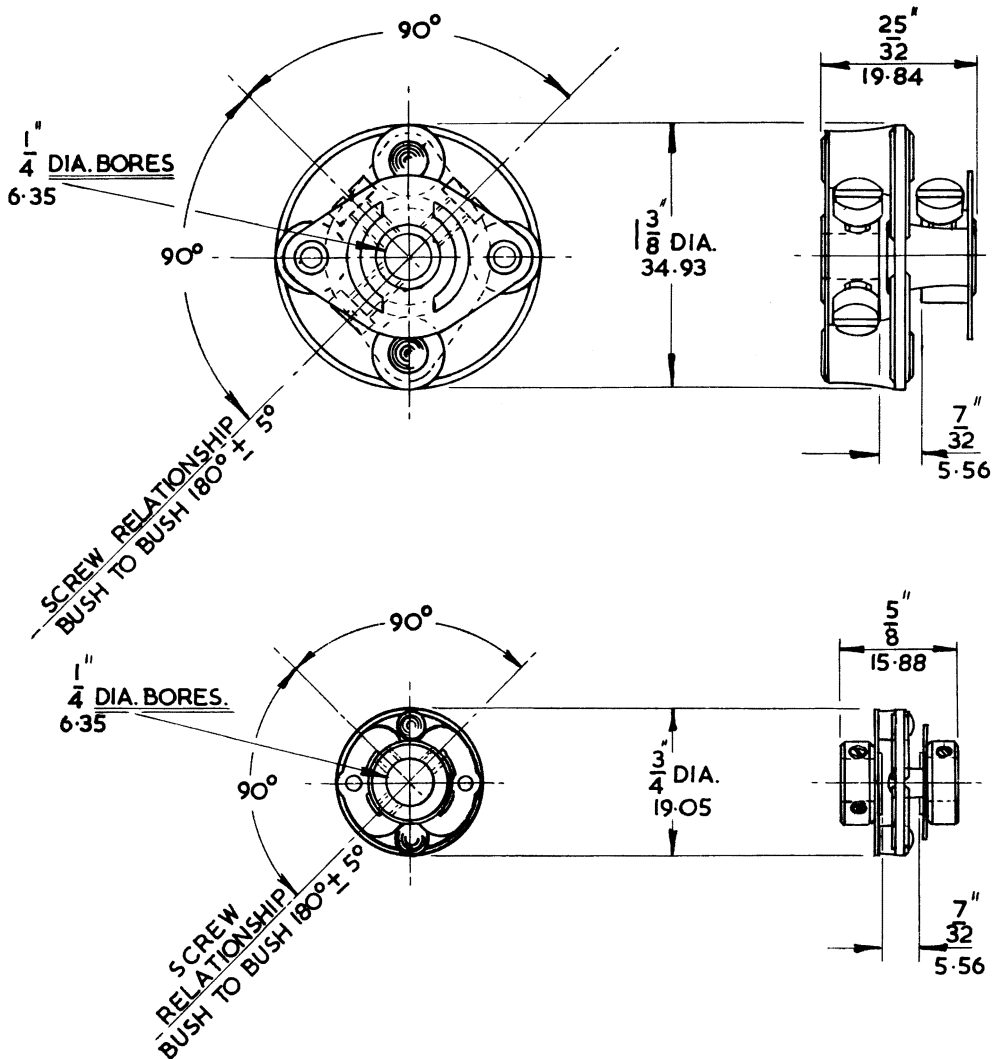


# UNIVERSAL COUPLINGS



PART No. 4693

STANDARD FITTING

4 B.A. X 1/4" CH. HD. SCREWS (4)

WILL PERMIT MISALIGNMENT  
OF UP TO .040" AND/OR 15°

CAPACITY FROM SIDE TO SIDE  
(ONE SIDE EARTHED) 2 1/4 M.M.F

BREAKDOWN VOLTAGE 5KV.

SHEARING TORQUE GREATER  
THAN 15 LB. IN.

PART No. 5610

STANDARD FITTING

6 B.A. X 1/8" GRUB SCREWS (4)

WILL PERMIT MISALIGNMENT  
OF UP TO .005" AND/OR 10°

CAPACITY FROM SIDE TO SIDE  
(ONE SIDE EARTHED) 1 M.M.F

BREAKDOWN VOLTAGE 3KV.

These flexible couplings may be used for linking Rotor shafts of Ganged Controls. Constant Velocity. Will permit linear and angular misalignment without appreciable "give" or lost motion. Insulation by Delrin. Material and finish to DEF. 5000. Suitable for tropical conditions. Working Temperature:— $-55^{\circ}\text{C} + 100^{\circ}\text{C}$ .

Scale :—Full size.