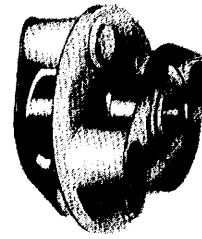


Jackson Drives, Couplings, Accessories



UNIVERSAL COUPLING CAT. NO. 4693

Constant Velocity:—
No lost motion.

Misalignment Capacity:—
.040 linear and/or
15° angular.

Capacitance
(side to side, one earthed):—
2½ pF.

Breakdown Voltage:— 5KV.

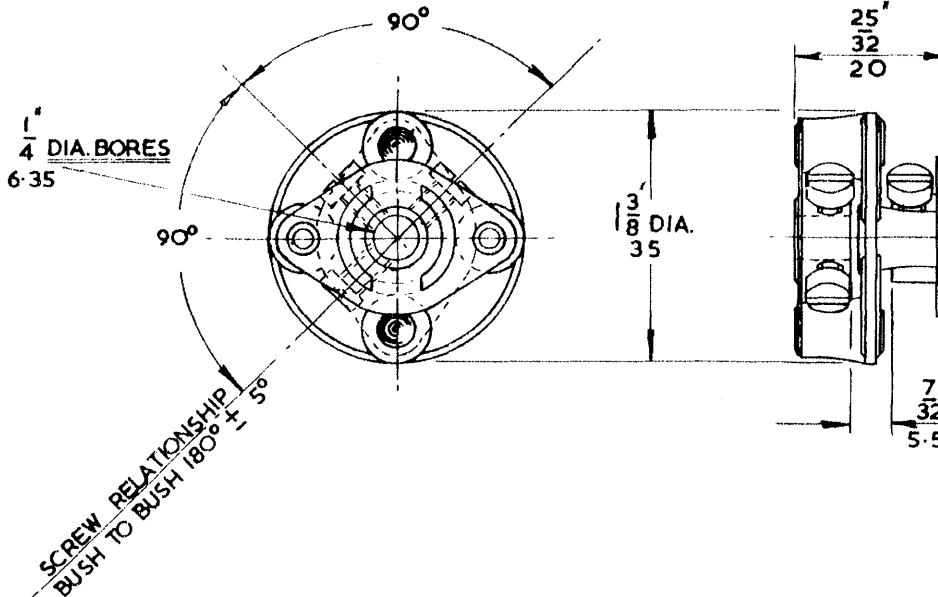
Shearing Torque:—
>15in. lbs. 17Kg. cm.

Bore Diameters:—
Normally ¼" but any smaller
metric or imperial size can
be made to order.

Insulation:— Delrin.

Metal Parts:— Electroplated.

Working Temperature
Range:—
-55°C to +100°C.



UNIVERSAL COUPLING CAT. NO. 5610

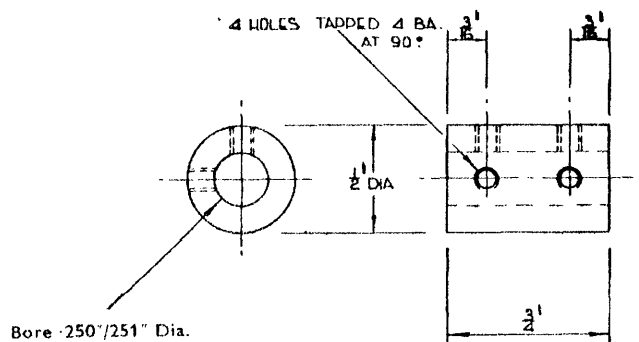
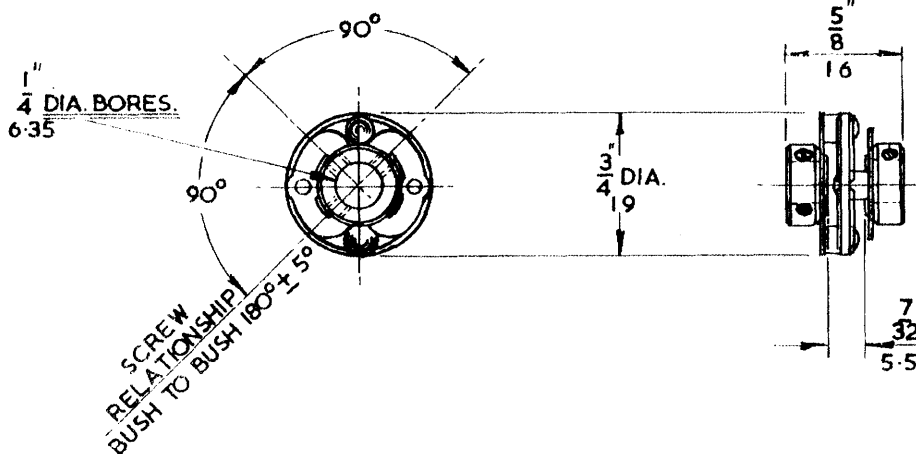
Constant Velocity:—
No lost motion.

Misalignment Capacity:—
.005 linear and/or
10° angular.

Capacitance
(side to side, one earthed):—
1 pF.

Breakdown Voltage:— 3KV.

All other parameters exactly
as Cat. No. 4693 above.



BRASS COUPLING CAT. NO. 4636

A useful coupling unit
for extension spindles, etc.
Four screw fixing.

¼" or 6mm dia. bore to order.

Material: Brass.

Finish: Clean.