

PART NAME: KNOB+SKIRT ASSEMBLY

SCALE: 1:1

DATE: 1/14/2000

DR. BY ST

DAVIES MOLDING COMPANY, LLC.

P/N 4104CB

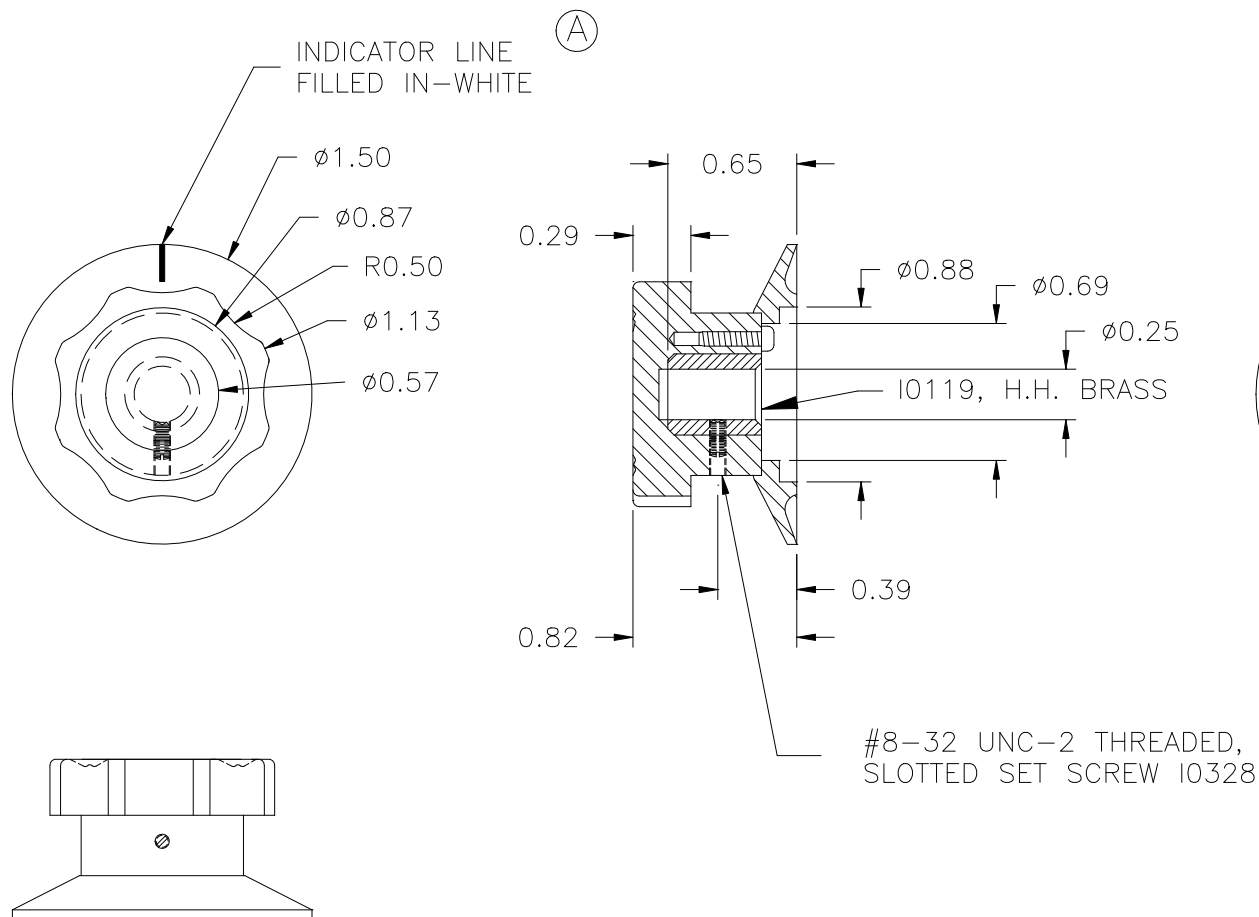
CAROL STREAM, ILLINOIS 60188

BASE PART 4100-01

SKIRT 4110-AQ

SCREWS I0375

SET SCREW I0328



(A)

(A)

INDICATOR LINE
FILLED IN-WHITE $\phi 1.50$ $\phi 0.87$

R0.50

 $\phi 1.13$ $\phi 0.57$

0.29

0.65

 $\phi 0.88$ $\phi 0.69$ $\phi 0.25$

I0119, H.H. BRASS

0.39

0.82

#8-32 UNC-2 THREADED,
SLOTTED SET SCREW I0328

(B)

USE #51 DRILL ($\phi 0.067$)
(3) #0 SELF TAPPING
SCREWS I0375MATERIAL: G.P. PHENOLIC (B11)
COLOR: BLACK

TOLERANCES: UNLESS OTHERWISE SPECIFIED	DO NOT SCALE DRAWING	B	WAS #50	JAM	2/5/14
		-	UPDATED TOOLBOX	JAM	2/19/03
DECIMALS: X.XXX \pm .005 X.XX \pm .015	MM: X.XX \pm 0.15MM X.X \pm 0.4MM	A	-FILLED IN-WHITE. -WAS 4110	ST	5/11/2000
		-	ORIGINAL DRAWN BY	TL	4/13/99
FRACTIONS \pm 1/64	ANG. \pm 1'	CHANGES			