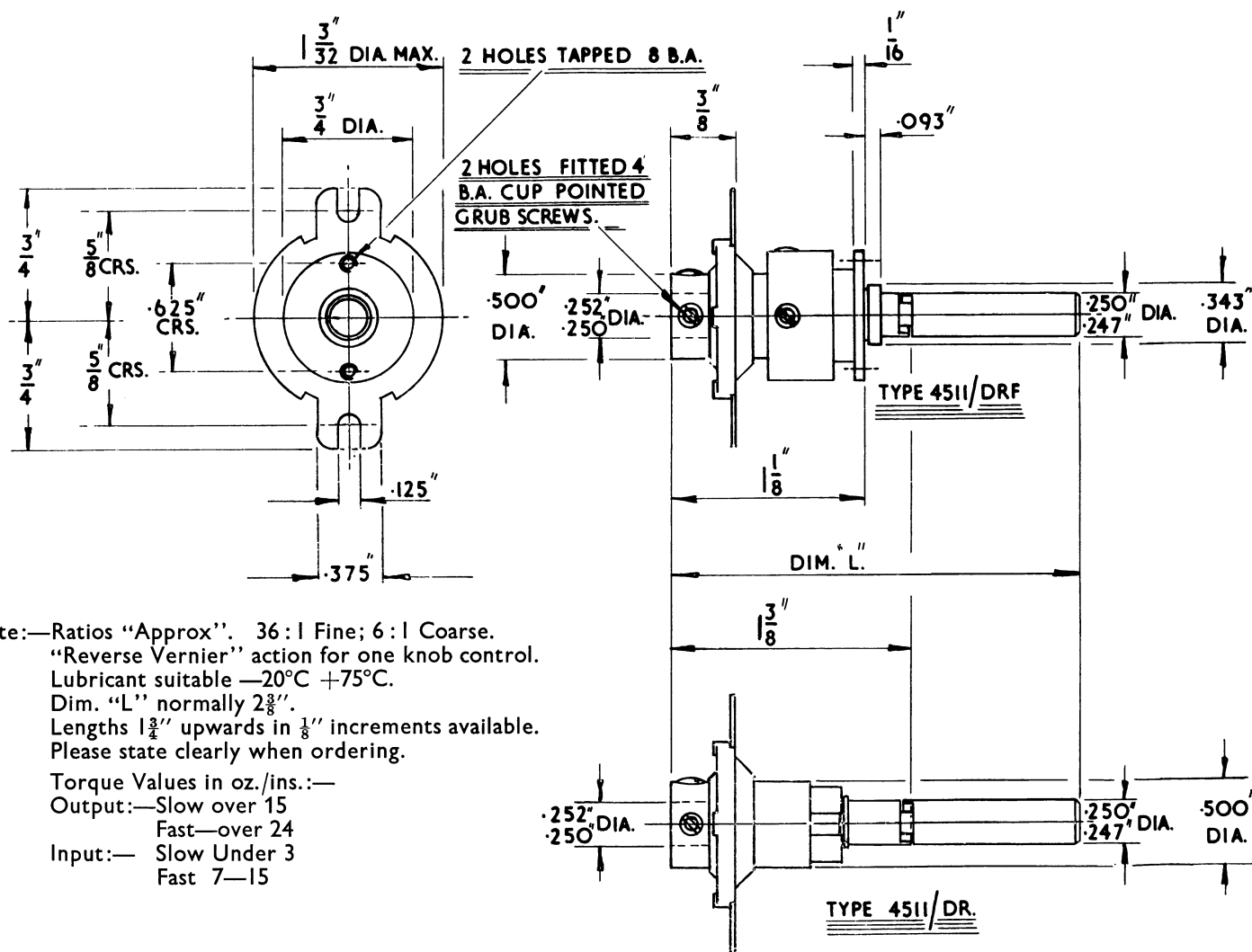


## DUAL RATIO BALL DRIVES



Note:—Ratios "Approx". 36:1 Fine; 6:1 Coarse.  
 "Reverse Vernier" action for one knob control.  
 Lubricant suitable  $-20^{\circ}\text{C}$   $+75^{\circ}\text{C}$ .  
 Dim. "L" normally  $2\frac{3}{8}$ ".  
 Lengths  $1\frac{3}{4}$ " upwards in  $\frac{1}{8}$ " increments available.  
 Please state clearly when ordering.

Torque Values in oz./ins.:—  
 Output:—Slow over 15  
           Fast—over 24  
 Input:—  Slow Under 3  
           Fast 7—15

One Coaxial Shaft provides Reverse Vernier Action with 36-1 ratio and Fast Drive of 6-1 ratio. Only  $1\frac{1}{8}$ " diameter  $\times$   $1\frac{1}{8}$ " long (excluding length of Spindle). Provided with  $\frac{1}{4}$ " Shaft. As an optional extra an Aluminium Flanged Bush for pointer fixing can be provided.

Drawing No. 4511/DR (without Flanged Bush).      Drawing No. 4511/DRF (with Flanged Bush).