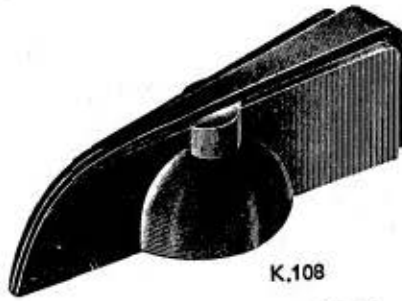


Versions in special materials/finishes (e.g., 'Tropical' or Specification) may be manufactured to special quantity orders.

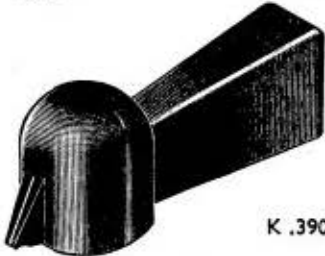
MOULDED BAKELITE KNOBS



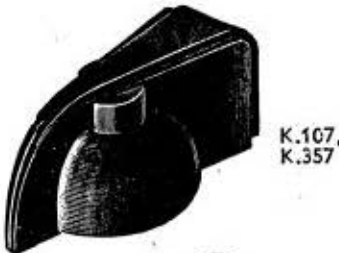
K.108



K.60



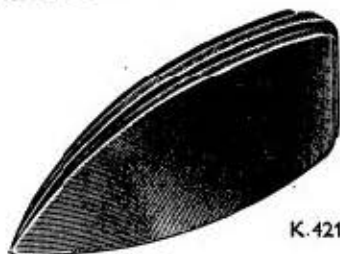
K.390

K.107,
K.357

K.58



K.420



K.421

THESE attractively designed knobs are exceptionally well finished and greatly enhance the appearance of radio receivers and similar equipment. They are designed to allow firm 'grip' for accurate control. Highly polished BLACK* thermo-setting bakelite material is the normal stock finish, but certain types as indicated may be supplied in colour, or in thermo-plastic material. Fitted with hardened and well-sunken 4 B.A. grub screws as standard. Where arrowed or beaked, grub screw is at 180° from 'pointer.' For standard $\frac{1}{4}$ " \varnothing (0.247"-0.249") shafts, either with or without 'flat.' ALL MODELS have solid turned brass bush-insert, except K.420,421.

List No. with grub screw	Description	Size
K.108	U.S.A. type large instrument knob	Rad. to pointer tip $1\frac{1}{2}$ " \times $\frac{3}{8}$ " h, with $\frac{3}{8}$ " \varnothing recess, $\frac{3}{16}$ " deep, adjacent to panel
K.60	Large instrument knob	Rad. to pointer tip $1\frac{3}{32}$ " \times $\frac{1}{16}$ " h
K.390	Fine-beak Pointer Knob, moulded in polystyrene, thermo-plastic	Rad. to pointer-tip, $\frac{7}{16}$ " ; rad. to handle, $1\frac{1}{4}$ ". Projection from panel, $\frac{5}{8}$ "
K.107	U.S.A. type small instrument knob	Rad. to pointer tip $\frac{5}{8}$ " \times $\frac{1}{2}$ " h, with $\frac{1}{8}$ " \varnothing recess, $\frac{1}{16}$ " deep, adjacent to panel
K.357	U.S.A. type small instrument knob (Variant of K.107 type)	Rad. to pointer tip, $\frac{5}{8}$ " \times $\frac{3}{8}$ " h, with $\frac{3}{8}$ " \varnothing recess, $\frac{3}{32}$ " deep, adjacent to panel
K.58	Small instrument knob	Rad. to pointer tip $\frac{1}{2}$ " \times $\frac{1}{16}$ " h

LATEST TYPE STYRON POINTER KNOBS

THESE two new intersleek and streamlined matching control knobs are inspired by the latest leading trends in instrument knob design. Manufactured in glossy black Polystyrene thermo-plastic. Each fitted with 4 B.A. steel-screw at 180° from pointer, but not fitted with the usual BULGIN brass insert: screw engages with inset captive nut.

List No.	Description	Size
K.420	Streamlined Pointer Knob in Polystyrene thermo-plastic	Radius to pointer tip $\frac{3}{8}$ "
K.421	Larger-size Pointer knob in Polystyrene thermo-plastic	Radius to pointer tip $1\frac{1}{4}$ "

*Note.—Any of the knobs in our range may be supplied in alternative colours providing required quantities warrant special production and subject to colour-match materials being obtainable.

Versions in special materials/finishes (e.g., 'Tropical' or Specificational) may be manufactured to special quantity orders.

MOULDED BAKELITE KNOBS

THESE attractively designed knobs are exceptionally well finished and greatly enhance the appearance of radio receivers and similar equipment. They are designed to allow firm 'grip' for accurate control. Highly polished BLACK thermo-setting bakelite material is the normal stock finish but certain types may be supplied in colour in quantities, or by prior arrangement. Fitted with hardened and well-sunken 4 B.A. grub-screws, as standard, but also available where indicated with grip-spring, for 'push-on'. Where arrowed or beaked, grub-screw is at 180° from 'pointer'. For standard $\frac{1}{8}$ " \varnothing (0.247"-0.249") shafts, either with or without 'flat'. ALL MODELS have solid turned brass bush-insert. Shaft—'Flat' for 'push-on' to be 0.156" (= .003") thickness from centre of 'flat' to circumference of shaft.

Note.—Any of the knobs in our range may be supplied in alternative colours providing required quantities warrant special production and subject to colour-match materials being obtainable.



List No. K.344/P



List No. K.345/P



List No. K.4



List Nos. K.18, etc.
Polished Metal



List No. K.427
Golden (Walnut moulding)
or chrome (black moulding)



List No. K.425

List No. (Push-on type only.)	Description	Size
K.344/P	Small circular finger-grip pointer knob Pointer aligned with 'normal' to shaft-flat, to $\pm 2\frac{1}{2}^\circ$	$1\frac{1}{8}'' \varnothing \times \frac{1}{2}''$ h
K.344/2S	Fitted with 2 grub-screws at 120°	$1\frac{1}{8}'' \varnothing \times \frac{1}{2}''$ h

List No. (Push-on type only.)	Description	Size
K.345/P	Small circular finger-grip pointer knob Pointer aligned with 'normal' to shaft-flat, to $\pm 2\frac{1}{2}^\circ$	$1\frac{1}{8}'' \varnothing \times \frac{1}{2}''$ h

List No. with grub screw	Description	Size
K.4	Large beaked knob	$1\frac{1}{2}'' \varnothing \times \frac{3}{4}''$ h

List No. with grub screw	Description	Size
K.18	Large arrow-line knob (grub-screw @ 180° from arrow-tip)	$1\frac{1}{2}'' \varnothing \times \frac{3}{4}''$ h
K.118	Large arrow-line knob (grub-screw @ 90°-clockwise from arrow-tip)	$1\frac{1}{2}'' \varnothing \times \frac{3}{4}''$ h
K.119	Similar design to K.118, without arrow	$1\frac{1}{2}'' \varnothing \times \frac{3}{4}''$ h

CONTINENTAL STYLE KNOB WITH GOLDEN INSERT

FOLLOWING the latest trend in control-knobs for radios, television sets and tape-recorders, etc., we now offer very attractively styled ribbed and tapered knobs with an insert. These knobs are made to the usual superlative BULGIN standards in finest grade thermo-setting bakelite, and fitted with the anti-fracture heavy brass insert and hardened 4 B.A. grub-screw which is a feature of BULGIN control-knobs.

List No. with grub screw	Description	Size
K.425	Ribbed, tapered, with decorative metal-insert on face	$1'' \varnothing \times \frac{3}{16}''$ h
K.427	State requirements clearly	$1\frac{1}{8}'' \varnothing \times \frac{3}{16}''$ h

NOTE: These Knobs can also be supplied less the decorative insert—add 'u' to List No. It is often also possible to supply WALNUT (instead of BLACK) ex stock

Versions in special materials/finishes (e.g., 'Tropical' or Specification) may be manufactured to special quantity orders.

MOULDED BAKELITE-TYPE KNOBS

THESE attractively designed knobs are exceptionally well finished and greatly enhance the appearance of radio receivers and similar equipment. They are designed to allow firm 'grip' for accurate control. Highly polished BLACK thermo-setting bakelite material is the normal stock finish but certain types may be supplied in colour, subject to materials being obtainable.* fitted with hardened and well-sunken 4 B.A. grub screws as standard. Where arrowed or beaked, grub screw or grip spring is at 180° from 'pointer'. For standard $\frac{1}{4}$ " \varnothing (0.247"-0.249") shafts, either with or without 'flat'. All types are fitted with turned-brass bush-insert.



List No. K.365

List No. with grub screw	Colour*	Description	Size
K.365	—	Cross-ribbed radio or instrument knob	$1\frac{1}{8}"\varnothing \times \frac{1}{2}"$ h.



List No. K.6

List No. with grub screw	Colour*	Description	Size
K.6	Black	Small beaked knob	$1\frac{1}{8}"\varnothing \times \frac{1}{2}"$ h.



List No. K.94

List No. with grub screw	Colour*	Description	Size
K.94	Black	Small ribbed knob	$\frac{3}{8}"\varnothing \times \frac{3}{16}"$ h.



List No. K.254

List No. with grub screw	Colour*	Description	Size
K.254	Black	Serrated Octagon knob	$1\frac{1}{4}"\varnothing \times \frac{1}{4}"$ h.

All grub-screw knobs are normally provided with standard slitted hardened 4 B.A. grub screw and brass insert collar. Normal average length of $\frac{1}{4}$ " \varnothing shaft accepted in all types is approx. $\frac{1}{8}"$.

* Note.—Any of the knobs in our range may be supplied in alternative colours providing required quantities warrant special production and subject to colour-match materials being obtainable.

Materials &/or Finishes to particular specifications can be met, to quantity orders, in special manufacture.

TELEVISION CONTROL KNOBS

THESE special legended knobs are suitable for all types of television sets, serving to identify controls and avoid 'lost pictures' due to mal-adjustment with non-legended knobs. Moulded in highly polished chocolate-brown thermo-setting bakelite-type material*, with grub screw (4 B.A.). Position of grub screw indicated in illustration.

Size: approx. $1\frac{1}{2}"\varnothing \times \frac{3}{8}"$ high (projection). Knurled straight fine for neatness but sure grip.



List No. K.335

List No. Chocolate brown	Legend, gold-filled
K.335	Brilliant
K.337	Contrast
K.339	Volume
K.341	Focus
K.343	Switch

Versions in special materials/finishes (e.g., 'Tropical' or Specification) may be manufactured to special quantity orders.

MOULDED BAKELITE KNOBS

THESE attractively designed knobs are exceptionally well finished and greatly enhance the appearance of radio receivers and similar equipment. They are designed to allow firm 'grip' for accurate control.

Highly polished BLACK thermo-setting bakelite-type material is the normal stock finish but certain types as indicated may be supplied in colour, subject to materials being obtainable.* Fitted with hardened and well-sunken 4 B.A. grub screws as standard. For standard $\frac{1}{4}$ " \varnothing (0.247"-0.249") shafts either with or without 'flat.' All fitted with turned brass bush-insert.



List No.	Description	Size
K.264	Small American Knob	$1\frac{1}{8}$ " \varnothing \times $\frac{3}{16}$ " h.



List No.	Description	Size
K.274	Large American Knob	$1\frac{1}{8}$ " \varnothing \times $\frac{1}{4}$ " h.



List No.	Description	Size
K.244	Rectangular Knob	$\frac{7}{8}$ " \square \times $\frac{3}{8}$ " h.



List No.	Description	Size
K.294	Hexagon Knob	$1\frac{1}{8}$ " \varnothing \times $\frac{1}{8}$ " h.



List No.	Description	Size
K.284	Round Fluted Knob	$1\frac{1}{8}$ " \varnothing \times $\frac{1}{4}$ " h.



List No.	Description	Size
K.70	Laboratory type Knobs	$1\frac{1}{8}$ " \varnothing \times $\frac{1}{4}$ " h.

* Note.—Any of the knobs in our range may be supplied in alternative colours providing required quantities warrant special production and subject to colour-match materials being obtainable.

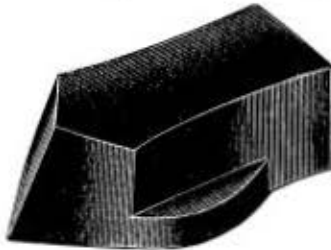
Versions in special materials/finishes (e.g., 'Tropical' or Specification) may be manufactured to special quantity orders.



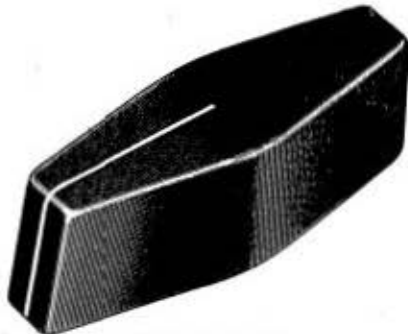
List No. K.433



List No. K.434



List No. K.435



List No. K.431



List No. K.430

NEW STYLE POINTER CONTROL-KNOBS

THESE new Control-Knobs further increase the BULGIN range which now includes pointer knobs for every conceivable use on apparatus of all types. The fluted and finger-form types (K.433, 434, 435) are excellent for precision adjustment and delicate location. The bar types (K.430, 431) are for use where a strong definite movement is needed, such as change-over switches on TV. etc.

All are manufactured in highly polished glossy black bakelite and fitted with heavy brass 'anti-fracture' insert and 4. B.A. radial grub-screw. Black is the normal stock finish, colours can be manufactured, for *quantity orders*. Pointers and hair lines are filled white as standard or unfilled or special colour-fills to *quantity orders* can be arranged.

List No.	Description (Normal Colour = Black)	Size
K.433	Fluted pointer knob with handle	$\frac{11}{16}$ " h. \times $1\frac{1}{8}$ " O.A. \varnothing \times $1\frac{1}{2}$ " long. $\frac{3}{8}$ " pointer from centre

List No.	Description (Normal Colour = Black)	Size
K.434	Plain fluted pointer knob, without handle	$\frac{11}{16}$ " h. \times $1\frac{1}{8}$ " O.A. \varnothing plus $\frac{3}{8}$ " pointer from centre

List No.	Description (Normal Colour = Black)	Size
K.435	'Finger-form' bar pointer-knob	$\frac{1}{2}$ " h. \times $\frac{5}{8}$ " O.A. \varnothing \times $1\frac{1}{2}$ " long

List No.	Description (Normal Colour = Black)	Size
K.431	Larger double-ended bar-knob with white index line	$\frac{3}{4}$ " h. \times 2" O.A. length \times $\frac{5}{8}$ " max. width

List No.	Description (Normal Colour = Black)	Size
K.430	Small double-ended bar-knob with white index line	$\frac{5}{8}$ " h. \times $1\frac{1}{2}$ " O.A. length \times $\frac{5}{16}$ " max. width

Versions in special materials/finishes (e.g., 'Tropical' or Specification) may be manufactured to special quantity orders.

MOULDED BAKELITE KNOBS

THESE distinctive knobs are moulded in thermo-setting black bakelite-type material, with high surface polish and ultra-smart appearance*. Those for $\frac{1}{4}$ " \varnothing shafts are fitted with well-sunken, hardened steel 4 B.A. grub screws. Afford firm 'grip' for easy control; for $\frac{1}{4}$ " \varnothing (0.247" - 0.249") shafts, with or without 'flat.' Type K.304 is threaded 2 B.A. and is as used on switches: it is very suitable for all push/pull controlling. All knobs are glossy black unless otherwise arranged or listed. Colours can be had to quantity orders, subject to colour-match materials being available.



K.54

List No. 4 B.A. threaded	Description	Size
K.54	Small switch knob, brass insert—4 B.A. female threaded	$\frac{11}{16}$ " \varnothing \times $\frac{3}{16}$ " h



K.324

List No. with grub screw	Description	Size
K.324	'Viking's Cap' knob	$\frac{11}{16}$ " A/F \times $\frac{1}{8}$ " h



K.97

List No.	Colour†	Description	Size
K.97†	Red	Knobs for push-button tuning switches: push on, self grip to 'flat' shafts .187" \times .048" No grub screw	$\frac{11}{16}$ " \varnothing , $\frac{1}{8}$ " \varnothing flange, \times $\frac{1}{16}$ " h
	Brown		
	Black		
	White		
	Green		
	Blue		
	Light Orange		



K.111

List No. with grub screw	Description	Size
K.111	Midget fluted instrument knob	$\frac{1}{2}$ " \varnothing \times $\frac{1}{2}$ " h



K.133

List No. with grub screw	Description	Size
K.133	'Shell-Nose' small knob	$\frac{1}{2}$ " \varnothing \times $\frac{11}{16}$ " h



K.304

List No.	Description	Size
List No., K.304 with 2 B.A. axial threaded hole for $\frac{1}{8}$ " depth	Long push-pull knob as on push-pull toggle-switches; no grub screw	$\frac{1}{2}$ " \varnothing \times 1" long; smaller \varnothing , $\frac{1}{8}$ "



K.314

List No. with grub screw	Description	Size
K.314	Hand-wheel knob	$1\frac{1}{2}$ " \varnothing \times $\frac{11}{16}$ " h

All grub-screw knobs are normally provided with standard slitted hardened 4 B.A. grub screw and brass insert collar. Normal average length of $\frac{1}{4}$ " shaft accepted in all types is approx. $\frac{1}{2}$ ".

* Note.—Any of the knobs in our range may be supplied in alternative colours providing required quantities warrant special production and subject to colour-match materials being obtainable. † Add colour required when ordering.

Materials &/or Finishes to particular specifications can be met, to quantity orders, in special manufacture.

Versions in special materials/finishes (e.g., 'Tropical' or Specification) may be manufactured to special quantity orders.

A NEW range of highly-polished glossy Instrument-Knobs, for the highest grade apparatus, each having a choice of coloured Inset Discs or front circular zones, the body colour of the knob being polished BLACK, normally. Apart from smartness and modern decoration, these unique Knobs now make possible the colour-coding of manual-controls. The four sizes constitute a matching set. Each model has strong brass inset-bush, for " $\frac{1}{4}$ " \varnothing " (=0.247"-0.249" \varnothing) shafts, and all have radial 4 B.A. grip-screws.

These Knobs can take the Skirt and Dial accessories on page 25 (opposite).

Body COLOUR	Inset-Disc COLOUR (choice—specify when ordering)
BLACK	with RED, GREEN BLUE, ORANGE-YELLOW, WHITE



List No. K.400/1/Colour

List No.	Description, dimensions, etc.
K.400/1/Colour (specify)	$\frac{1}{8}$ " (23.8 mm.) \varnothing \times $\frac{3}{8}$ " (15.9 mm.) high; body = BLACK, with central disc colour:— → RED or GREEN or BLUE or ORANGE-YELLOW or WHITE



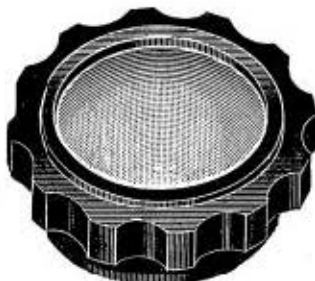
List No. K.401/1/Colour

List No.	Description, dimensions, etc.
K.401/1/Colour (specify)	$1\frac{1}{8}$ " (29.4 mm.) \varnothing \times $\frac{1}{2}$ " (17.5 mm.) high; body = BLACK, with central disc colour:— → RED or GREEN or BLUE or ORANGE-YELLOW or WHITE



List No. K.402/1/Colour

List No.	Description, dimensions, etc.
K.402/1/Colour (specify)	$1\frac{3}{8}$ " (41.3 mm.) \varnothing \times $\frac{3}{8}$ " (19.9 mm.) high; body = BLACK, with central disc colour:— → RED or GREEN or BLUE or ORANGE-YELLOW or WHITE



List No. K.403/1/Colour

List No.	Descriptions, dimensions, etc.
K.403/1/Colour (specify)	$2\frac{3}{8}$ " (60.3 mm.) \varnothing \times $\frac{3}{4}$ " (24.6 mm.) high; body = BLACK, with central disc colour:— → RED or GREEN or BLUE or ORANGE-YELLOW or WHITE.

To quantity orders, or by special pre-arrangement, these Knobs may be had in other colours of both BODY and/or INSET-DISC, subject to materials being available and/or any wanted colour-matching being possible.

INSTRUMENT KNOBS & DIALS 25

Versions in special materials/finishes (e.g., 'Tropical' or Specification) may be manufactured to special quantity orders.

A NEW Range of highly polished glossy Instrument-Knobs and -Dials for the highest grade apparatus, and forming a matching group. Each knob can be used with a flat metal dial (normally frosted aluminium as stock-finish—special finishes to quantity orders). Each of the three larger types can also, or alternatively, take a skirt-moulding supplement, as shown; all the knobs can be used alone, if desired. Skirts and dials fix with self-tapping screws (provided). Each knob has strong radial grip-screw(s), 4 B.A. For shafts of " $\frac{1}{4}$ " \varnothing " (0.247"–0.249" \varnothing).

FITTED WITH BRASS INSERT-BUSHES. FOR $\frac{1}{4}$ " \varnothing SHAFTS*

K.399



List No.	Item	Dimensions, etc.
K.399	Knob	$\frac{3}{16}$ " (23.8 mm.) \varnothing \times $\frac{1}{8}$ " (15.9 mm.) high
When dials are also to be used, employ K.400 (below) instead.		

K.400



+ K.410

List No.	Item	Dimensions, etc.
K.400	Knob	$\frac{3}{16}$ " (23.8 mm.) \varnothing \times $\frac{1}{8}$ " (15.9 mm.) high
K.410	Dial*	$1\frac{1}{2}$ " (38.1 mm.) \varnothing \times 21 S.W.G., engraved 0–10 over 270°
K.410/P	Dial*	ditto, not engraved
* Rivets to Knob; we will fit and rivet, if requested		

K.401

+ K.405

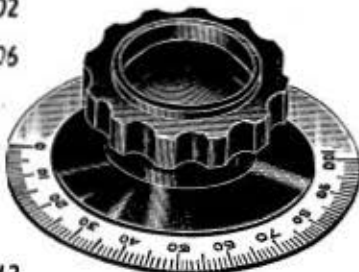


+ K.411

List No.	Item	Dimensions, etc.
K.401	Knob	$1\frac{1}{16}$ " (29.4 mm.) \varnothing \times $\frac{1}{16}$ " (17.5 mm.) high
K.405	Skirt	$1\frac{1}{2}$ " (38.1 mm.) \varnothing \times $\frac{1}{16}$ " (5.9 mm.) thick
K.411	Dial	2" (50.8 mm.) \varnothing \times 21 S.W.G., engraved 0–10 over 270°
K.411/P	Dial	ditto, not engraved

K.402

+ K.406

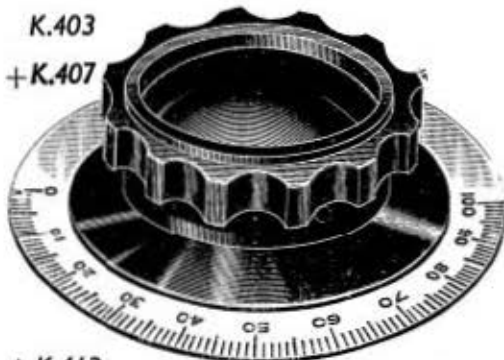


+ K.412

List No.	Item	Dimensions, etc.
K.402	Knob	$1\frac{1}{8}$ " (41.3 mm.) \varnothing \times $\frac{3}{16}$ " (19.9 mm.) high
K.406	Skirt	$2\frac{1}{16}$ " (52.4 mm.) \varnothing \times $\frac{1}{16}$ " (5.9 mm.) thick
K.412	Dial	$2\frac{1}{2}$ " (69.9 mm.) \varnothing \times 21 S.W.G., engraved 0–100 over 180°
K.412/P	Dial	ditto, not engraved

K.403

+ K.407



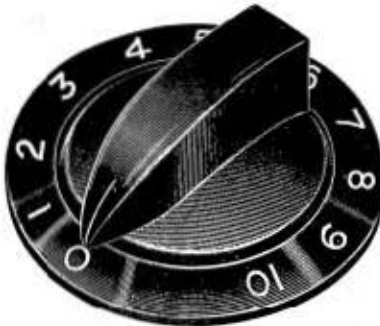
+ K.413

List No.	Item	Dimensions, etc.
K.403	Knob	$2\frac{1}{8}$ " (60.3 mm.) \varnothing \times $\frac{3}{16}$ " (24.6 mm.) high
K.407	Skirt	3" (76.2 mm.) \varnothing \times $\frac{1}{16}$ " (6.8 mm.) thick
K.413	Dial	4" (101.6 mm.) \varnothing \times 21 S.W.G., engraved 0–100 over 180°
K.413/P	Dial	ditto, not engraved

* Special-bore- \varnothing items can be supplied to quantity order

Versions in special materials/finishes (e.g., 'Tropical' or Specificational) may be manufactured to special quantity orders.

POINTER KNOBS AND LEGENDED ESCUTCHEONS



K.370 Knobs + K.372 Dial

THESE new Control-Knobs and Escutcheons are suitable for all types of radio and electronic instruments and appliances, where precise indication of knob-position or -setting is wanted. The escutcheon fixing is concealed by the circular base of the knob, and the pointer or beak of the knob registers closely with the engraved or engravable rim of the escutcheon. The knobs have engraved pointer line as well as beak, normally filled white; several standard escutcheon-engravings are available, also blank escutcheons for users' own local engraving—where quantities are too small to warrant special engraving of separate or new moulds. But to quantity orders (where mould tools and their engraving costs are warranted) we are pleased to quote for any special or suitable legending. All these mouldings are normally BLACK, but as colour-match may be available, and for quantity orders, standard bakelite-type colours can be used (thermo-setting). Sizes and details:—



List No. K.371/1*

List No. K.372 (250°)

List No. K.373 (180°)



List No. K.378 (60°)

List No. K.374

List No. K.375 (40°)



List No. K.376 (100°)

List No. K.377 (160°)

List No. K.382 (270°)



A

B

C



D

E

F



G

Overall-Ø of all Dials, 1 1/8" (47.6 mm.). Front Projection of both items, together, 3/16" (17.8 mm.). Front Projection of Knob alone, 3/8" (14.3 mm.), + any clearance to panel. Beak-radius of Knob, 3/16" (19.8 mm.)

List No.	Description	Use with:—
K.370	Pointer Knob, Black, Line filled WHITE	On 1/8" Ø (0.247"-0.249") Shafts; single grub screw fitted
K.370/U	ditto Line NOT "FILLED"	
K.371/1	Dial, plain, for users' engraving	Special Legends
K.372	Dial, filled white, 0, 1-10 over 250°	
K.372/U	Dial, not filled, ditto	VC.'s., etc., of 250° swing
K.373	Dial, filled white, 0, 1-10 over 180°	
K.373/U	Dial, not filled, ditto	Components of 180° swing, e.g., capacitors, switches
K.374	Dial, filled white, 1-18, over 360°	
K.374/U	Dial not filled, ditto	Full rotation devices, e.g., S.205 switches
K.375	Dial, filled white, 1, 2, 3 over 40°	
K.375/U	Dial not filled, ditto	Switches, S.208, etc.
K.376	Dial, filled white, 1-6 over 100°	
K.376/U	Dial not filled, ditto	Switches, S.207 etc.
K.377	Dial, filled white, 1-9 over 160°	
K.377/U	Dial, not filled, ditto	Switches S.206, etc.
K.378	Dial, filled white, "OFF-ON" (60°)	
K.378/U	Dial, not filled, ditto	Rotary Toggle Switches, etc.
K.382	Dial, fitted white, 0, 1-10 over 270°	
K.382/U	Dial, not filled, ditto	VC.'s., etc., of 270° swing

A selection of further engravings, A-G, are shown. These can be supplied to quantity orders only, at present. (Small quantities can be met by individual engraving of K.371/1 above.) Moulding tools can also be engraved for other legends, at competitive prices where quantities warrant.

* Only made in Bakelite type material.

Versions in special materials/finishes (e.g., "Tropical or Specification") may be manufactured to special quantity orders.

INSTRUMENT CONTROL KNOBS

A NEW range of BULGIN Instrument Control Knobs, comprising three models of identical style, but in different sizes. The smaller one, **List No. K.360**, measures $1\frac{1}{2}"$ \varnothing (overall) \times $\frac{3}{8}"$ high. **List No. K.361** medium size measures $2\frac{1}{8}"$ \varnothing (overall) \times $\frac{3}{4}"$ high. **List No. K.362**, the largest of the family, measures $3"$ \varnothing (overall) \times $1"$ high.

These knobs are made in polished black thermo-setting bakelite, BLACK being the normal finish, but colours are available to quantity orders.*

All to fit shafts $.247"-.249" \varnothing$ (6.3 mm.) = R.E.C.M.F. standard \varnothing , and have radial hardened steel grub screw. But model **K.362** is fitted with TWO 4 B.A. cheesehead screws $\frac{3}{8}"$ (9.5 mm.) long. All are suitable for a variety of highest-class electrical and electronic instruments ; the larger knob is ideal for use where extremely delicate and precise adjustment is required in small increments, or for controls of fairly high torque. The introduction of a graded range of three sizes, of matching appearance, will fill a long-felt want.

All models have solid turned brass bush-insert.



List No.	Overall Size		Description
	Height	\varnothing	
K.360	$\frac{3}{8}"$ (15.1 mm.)	$1.500"$ (38.1 mm.)	Small instrument dial knob
Notes :—			Fitted with one 4 B.A. grub screw $\frac{1}{4}"$ (6.3 mm.) long



List No.	Overall Size		Description
	Height	\varnothing	
K.361	$\frac{3}{4}"$ (19.1 mm.)	$2\frac{1}{8}"$ (52.4 mm.)	Medium instrument dial knob
Notes :—			Fitted with one 4 B.A. grub screw $\frac{3}{8}"$ (9.5 mm.) long



List No.	Overall Size		Description
	Height	\varnothing	
K.362	$1.000"$ (25.4 mm.)	$3.000"$ (76.2 mm.)	Large instrument dial knob
Notes :—			Fitted with two 4 B.A. cheesehead screws $\frac{3}{8}"$ (9.5 mm.) long

Millimetre equivalents are approx. only.

* Note.—Any of the knobs in our range may be supplied in alternative colours providing required quantities warrant special production and subject to colour-match materials being obtainable.