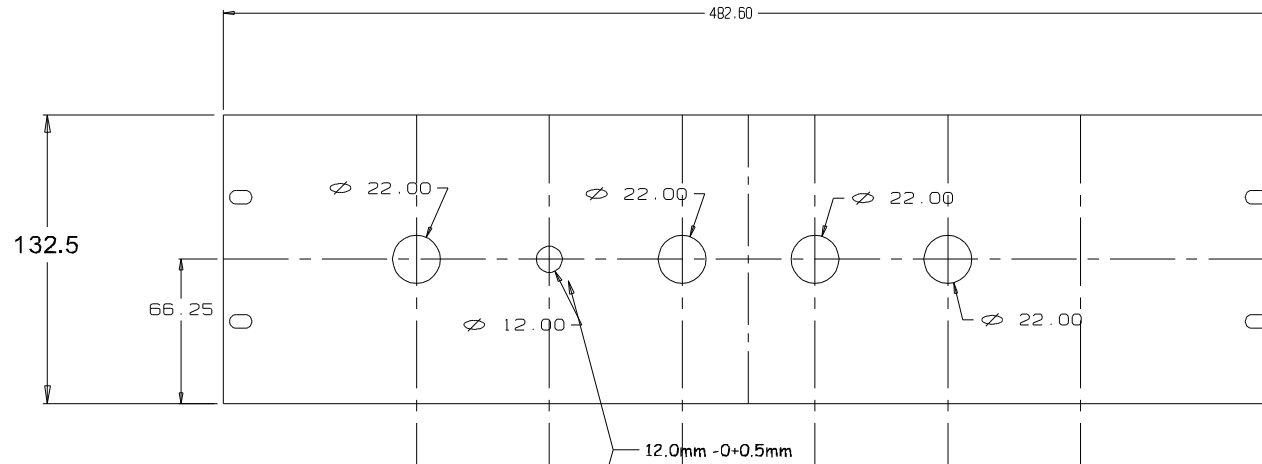


CASA Part Number for BLANK = "RP-3U-AL3N(BLANK)"

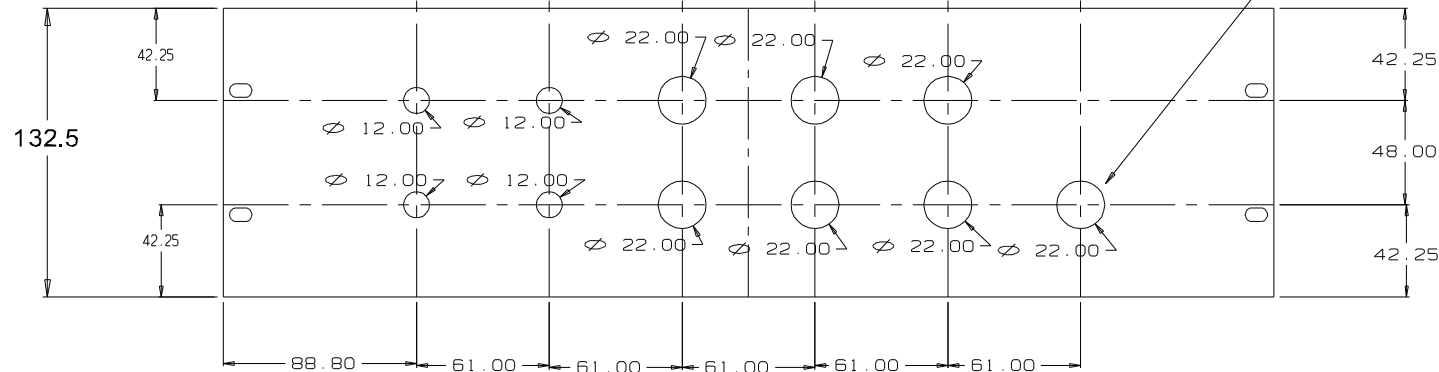
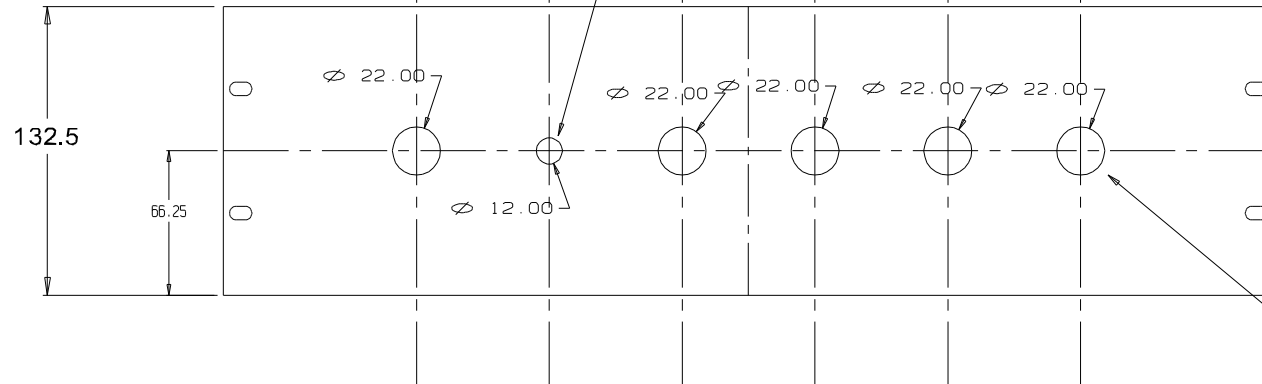
Standard Finishes

- AN = Anodizing Natural
- 1) Degrease
- 2) Etch 5~10 minutes maximum
- 3) De-smut
- 4) Anodize 10~15 microns to Mat/Satin finish
- 5) Boiling Water Seal

CAC 1



CAC 2



MATERIAL	Alloy Sht
	3.0mm
ALLOY	5005
EST. AREA	20726mm ² /U
EST. WEIGHT	0.33Kg/U
EST. PERIPHERY	
EXT:	XXX mm
TOT:	XXX mm
TOLERANCE	
	0.00mm ±0.1mm
	00.0mm ±0.25mm
	0000mm ±0.5mm
	0-500mm ±0.1mm
	> 500mm ±0.5mm
BS1474:1987	
APPLIES UNLESS	
OTHERWISE	
SPECIFIED	
SURFACE FINISH	
Visible surfaces	
denoted ---	
NATURAL	<input type="checkbox"/>
LYNISH	<input type="checkbox"/>
DE-BURR	<input type="checkbox"/>
ANODISE	<input type="checkbox"/>
PAINT	<input type="checkbox"/>
PLATE	<input type="checkbox"/>
ALODIZE	<input type="checkbox"/>
SHOTBLAST	<input type="checkbox"/>
OTHER DETAIL	<input type="checkbox"/>
See Notes	<input type="checkbox"/>
JOB No.	XXXX

CASA Modular Systems P.O. BOX 38-828, WELLINGTON, NEW ZEALAND TELEPHONE : (64-4) 5687 277 FACSIMILE : (64-4) 5685 161 E-MAIL : sales@casa.co.nz	CUSTOMER : Heiner Wiegand		SIZE : A4	DRAWING Reference No. : RP-3U-USE	ISSUE : A
	DESCRIPTION : RACK PANELS 3U (US Embassy)		© COPYRIGHT : CASA Modular Systems ALL RIGHTS RESERVED		
DRAWN : AWD	DATE : 01/9/04	APPROVED : ?	DWG. SCALE : 1:1		