

# KAL Series — Aluminum Housed Surface Mount Resistor

## Features

- Aluminum housing for maximum heat dissipation
- Complete welded construction
- 10 - 50W tinned copper terminals
- Centerless ground steatite or alumina cores
- Molded epoxy body for heat transfer
- Non-inductive winding available
- 100 - 250W threaded terminals
- RoHS compliant / lead-free

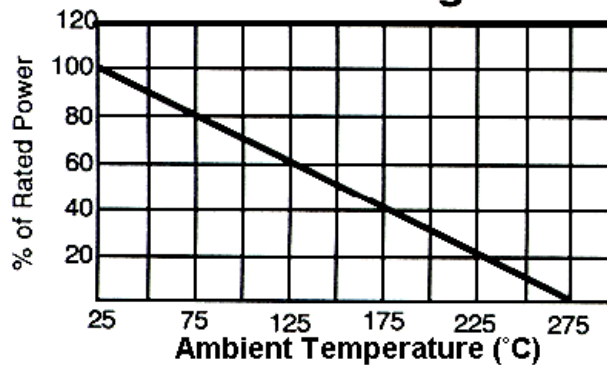


## Electrical Specifications

Type / Code	MIL-R-26 Ref.	Power Rating (Watts) @ 70°C		Dielectric Withstanding Voltage	Ohmic Range and Tolerance		
		Commercial	MIL		0.1%	0.5%	1% & 5%
KAL 10	RE-65	12.5W	10W	1,000 VAC    2,500 VAC	1Ω – 1KΩ	0.05Ω – 30KΩ	
KAL 25	RE-70	25W	20W			0.05Ω – 50KΩ	
KAL 50	RE-75	50W	30W			0.05Ω – 150KΩ	
KAL 100	RE-77	100W	75W		-	0.4Ω – 50KΩ	
KAL 250	RE-80	250W	120W			0.6Ω – 80KΩ	

Temperature Coefficient Standard: ±100ppm below 0.1Ω, ±50ppm from 0.1Ω - 9.9Ω, ±30ppm from 10Ω - 49Ω, & ±20ppm above 50Ω.

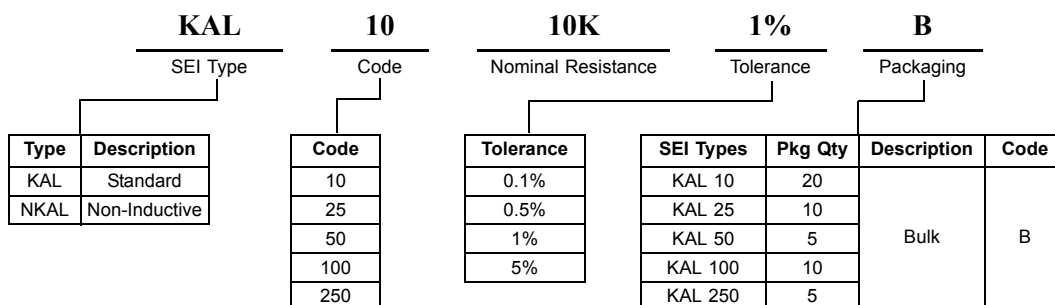
## Power Derating



## Performance Characteristics

Test	Test Conditions	Results
Short Time Overload	5x wattage rating - 5 seconds	$\Delta R \pm (0.5\% + 0.05\Omega)$ MAX
Moisture Resistance	Temp 40°C moisture 95% CDC 100V for 500 hours	$\Delta R \pm (0.5\% + 0.05\Omega)$ MAX
Load Life	Load rating (chassis is mounted) 1.5 hours on - 0.5 hours off. Repeated for 1000 hours	$\Delta R \pm (1.5\% + 0.05\Omega)$ MAX

## How to Order

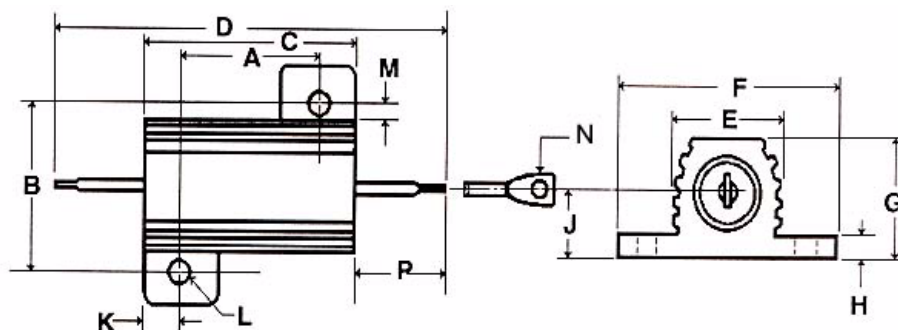


# KAL Series — Aluminum Housed Surface Mount Resistor

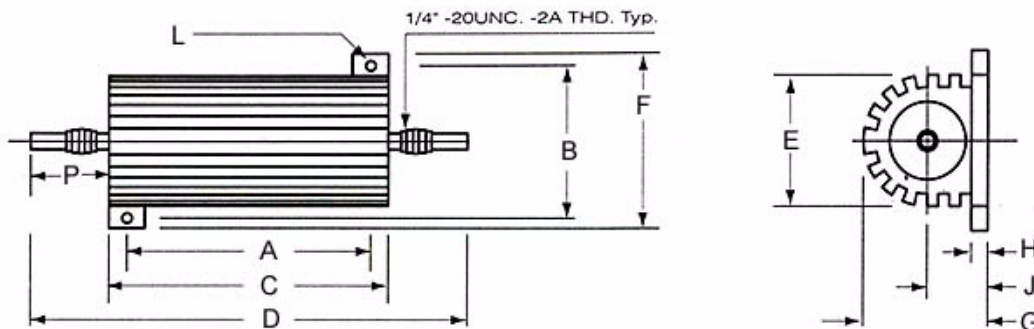
## Mechanical Specifications

Type	A	B	C	D	E	F	G	H	J	K	L	M	N	P	R	S	Units
Tolerance	± 0.005	± 0.005	± 0.031	± 0.062	± 0.015	± 0.015	± 0.031	± 0.010	± 0.015	± 0.010	± 0.005	± 0.015	± 0.005	± 0.062	± 0.010	± 0.010	inches
	± 0.1	± 0.1	± 0.8	± 1.6	± 0.4	± 0.4	± 0.8	± 0.3	± 0.4	± 0.3	± 0.1	± 0.4	± 0.1	± 1.6	± 0.25	± 0.25	mm
KAL 10	0.562 14.3	0.625 15.9	0.750 19.0	1.375 34.9	0.420 10.7	0.800 20.3	0.390 9.9	0.075 1.9	0.190 4.8	0.093 2.4	0.093 2.4	0.102 2.6	0.086 2.2	0.312 7.9	-	-	inches mm
KAL 25	0.719 18.3	0.781 19.8	1.062 27.0	1.938 49.2	0.550 14.0	1.080 27.4	0.546 13.9	0.088 2.2	0.260 6.6	0.172 4.4	0.125 3.2	0.115 2.9	0.086 2.2	0.438 11.1	-	-	inches mm
KAL 50	1.563 39.7	0.844 21.4	1.968 50.0	2.781 70.6	0.630 16.0	1.140 29.0	0.610 15.5	0.088 2.2	0.300 7.6	0.196 5.0	0.125 3.2	0.107 2.7	0.086 2.2	0.410 10.4	-	-	inches mm
KAL 100	2.75 69.90	2.25 57.20	3.50 88.90	5.48 139.20	1.89 48.00	2.81 71.40	2.18 55.60	0.19 4.80	0.96 24.30	0.37 9.50	0.19 4.80	0.29 7.10	-	0.99 25.12	-	-	inches mm
KAL 250	3.87 98.4	2.50 63.5	4.50 114.3	7.00 177.8	2.13 54.0	3.00 76.2	2.19 55.6	0.25 6.4	0.96 24.3	0.31 7.9	0.19 4.8	0.25 6.4	-	1.25 31.8	0.87 22.2	3.00 76.20	inches mm

### KAL 10 - 50



### KAL 100



### KAL 250

