



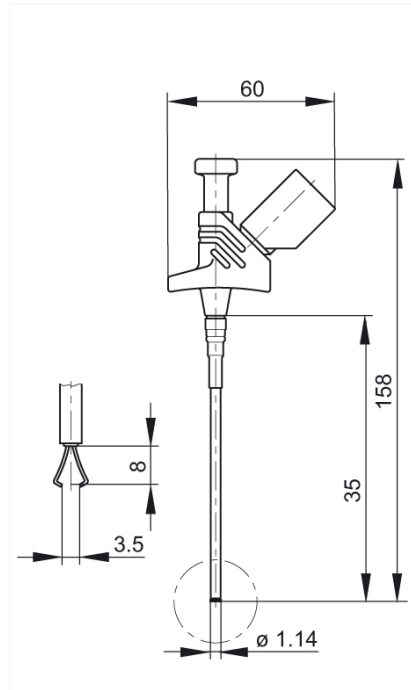
KLEPS 250 schwarz/black

Industrial Connectors:Measuring and Testing Equipment:Clamp-type test probes:4 mm sliding sleeve system

Product description

Description	Contact-protected clamp-type test probe with rotating grip jaws and flexible shaft. The grip jaws allows clamping of pins and wires up to a max. of 4 mm diameter. Brass 4 mm diameter contact-protected socket connection. Connects with sliding sleeve measuring leads.
Type	KLEPS 250 schwarz/black
Order No.	973 528-100
System	4 mm sliding sleeve system
Clamping range	4 mm
Clamp type	rotating grip jaws
Housing Color	black
Color types	● ●
Other standard types	red color, order no. 973 528-101

Drawing



Technical data

Type of contact	socket
Type of termination	4 mm socket
Rated voltage	AC/DC 300 V
Contact resistance	100 mOhm

Certificates CE

Material

Contact material spring steel

Contact surface material nickel-plated

Housing material PF

Environmental conditions

Temperature range -25 °C to +80 °C

Inflammability class

Housing 94 HB