



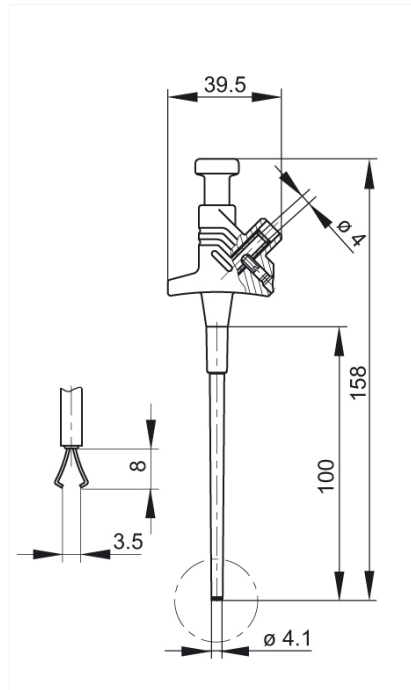
KLEPS 30 schwarz/black

Industrial Connectors:Measuring and Testing Equipment:Clamp-type test probes:4 mm system

Product description

Description	Clamp-type test probe with rotating grip jaws and flexible shaft. The special form of the grip jaws allows clamping of pins and wires up to a maximum of 4 mm diameter. 4 mm diameter brass socket connection with side screw, grip jaws additionally nickel-plated.
Type	KLEPS 30 schwarz/black
Order No.	930 113-100
System	4 mm system
Clamping range	4 mm
Clamp type	rotating grip jaws
Housing Color	black
Color types	● ●
Other standard types	red color, order no. 930 113-101

Drawing



Technical data

Type of contact	socket, screw connection
Type of termination	4 mm socket, screw
Rated voltage	DC 60 V
Contact resistance	50 mOhm

Material

Contact material	spring steel wire
Contact surface material	nickel-plated
Housing material	PF
Environmental conditions	
Temperature range	-25 °C to +80 °C
Inflammability class	
Housing	94 HB