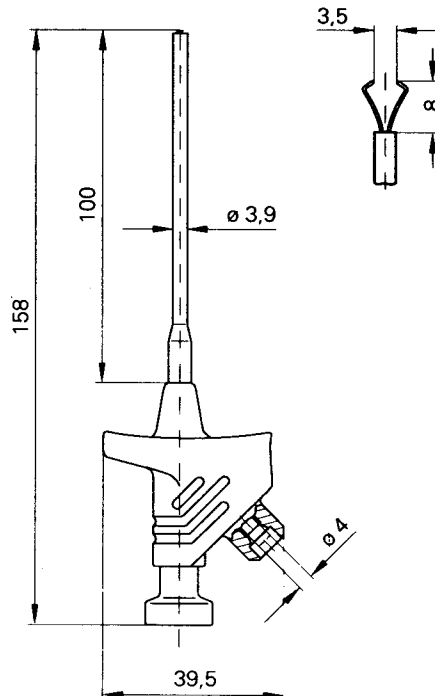


Technical Library

RS Stock No Colour
423-649 Black
423-633 Red



Clamp-type test prod with rotating gripper and flexible shaft. The gripper has been specially shaped so that pins and wires up to a maximum diameter of 4 mm can be connected without slipping off. Connectors and wires measuring up to 4 mm in diameter can be connected with the aid of the **4 mm dia. socket connection with lateral screw**. Socket made of brass, gripper additionally nickel-plated.

Technical data

Type of connection/ Connector	screw/ $\varnothing 4$ mm	
Rotating gripper	●	
Contact hook		
Clamping area	$\varnothing 4$ mm	
Compressive force (max.)	25 N	
Volume resistance (max.)	100 m Ω	
Permissible temperature range	-25 °C ... +80 °C	
Colour index*	black	-100
	red	-101