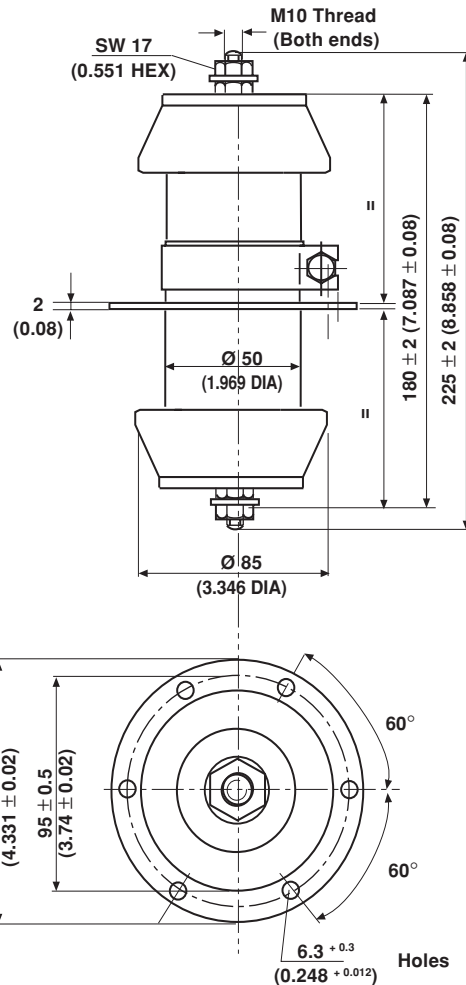
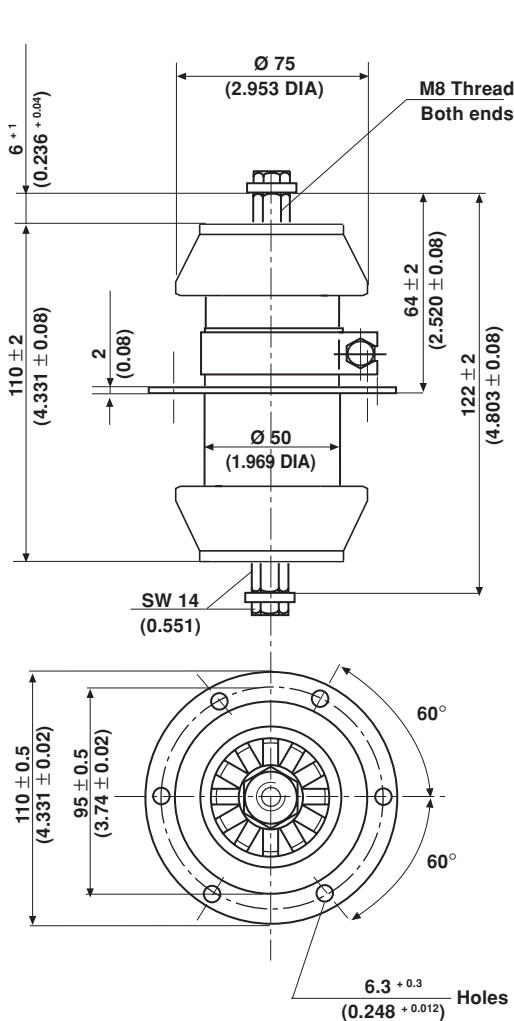


Feed-Through Capacitors with Conductor Rod

DB 050110 15KV_p

DB 050180 20KV_p



• Dimensions in millimeters (inches)

MATERIAL:

Capacitor elements made from Class 1 ceramic dielectric with noble metal electrodes.
 Connection terminals: Copper/brass, silver plated.

FINISH:

Noble metal electrodes completely lacquered. Contoured rims glazed.
 DBF model only has additional moisture protection (silicone rubber) at both the contoured rims.

MARKING:

Type designator, Capacitance value and tolerance, Rated voltage (peak value), Production date code, Ceramic material code, DRALORIC Logo

ACCESSORIES ADDED:

Hex. nuts/screws and washers.

ORDERING INFORMATION				
DB 050180	20KV _p	3000pF	± 20%	R 230
MODEL	RATED VOLTAGE	CAPACITANCE VALUE	TOLERANCE	CERAMIC



DB 050110				
CERAMIC	CAPACITANCE VALUE [pF]	RATED VOLTAGE [KV_p]	RATED POWER* [KVA_r]	RATED CURRENT [A_{RMS}]
R 230	2000	15	max. 200	75

* The surface temperature of 100°C must not be exceeded
Feed-through current DC or low frequency RMS current (< 20KHz): 50 A

DB 050180				
CERAMIC	CAPACITANCE VALUE [pF]	RATED VOLTAGE [KV_p]	RATED POWER * [KVA_r]	RATED CURRENT [A_{RMS}]
R 85	1000	20	70	50
	1500	20	70	50
R 230	3000	20	100	60

* The surface temperature of 100°C must not be exceeded
Feed-through current DC or low frequency RMS current (< 20KHz): 70 A

CAPACITANCE TOLERANCES:

± 20%, ± 10%.



Notice

Specifications of the products displayed herein are subject to change without notice. Vishay Intertechnology, Inc., or anyone on its behalf, assumes no responsibility or liability for any errors or inaccuracies.

Information contained herein is intended to provide a product description only. No license, express or implied, by estoppel or otherwise, to any intellectual property rights is granted by this document. Except as provided in Vishay's terms and conditions of sale for such products, Vishay assumes no liability whatsoever, and disclaims any express or implied warranty, relating to sale and/or use of Vishay products including liability or warranties relating to fitness for a particular purpose, merchantability, or infringement of any patent, copyright, or other intellectual property right.

The products shown herein are not designed for use in medical, life-saving, or life-sustaining applications. Customers using or selling these products for use in such applications do so at their own risk and agree to fully indemnify Vishay for any damages resulting from such improper use or sale.