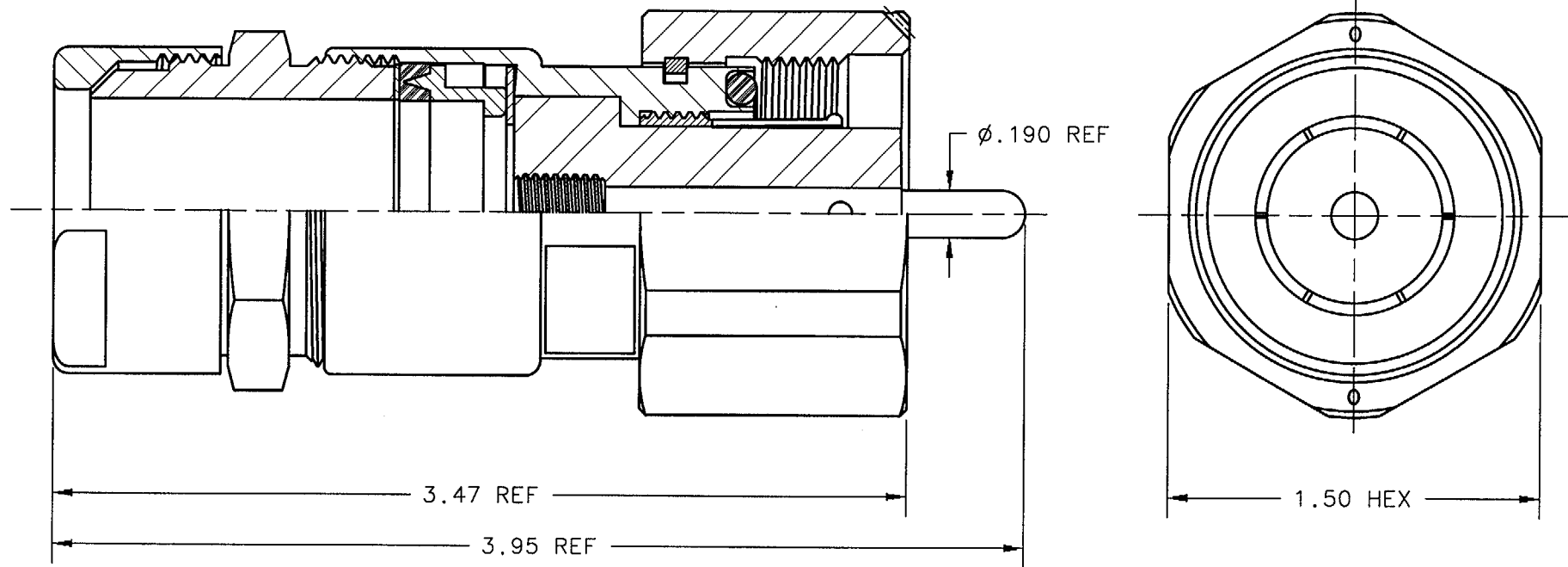


DWG. NO  
**TRU-4023-GSUG**



**ELECTRICAL SPECIFICATIONS**

NOMINAL IMPEDANCE - 50 Ohms  
 FREQUENCY RANGE - 0 to 1 GHz  
 VOLTAGE RATING - 5000 vrms

MILITARY DESIGNATION: UG-154B/U  
 CONNECTOR MARKING: 92180 UG-154B/U  
 TRU-CONNECTOR PART NO: TRU-4023-GSUG

**CABLE ACCOMMODATION**

UNARMORED CABLES: M17/79-RG218, RG-17, 17A, 218/U  
 M17/67-RG177, RG-177/U  
 ARMORED CABLES: M17/79-RG219, RG-18, 18A, 219/U

**MATERIAL**

INSULATOR - TEFLON  
 GASKETS - SILICONE RUBBER  
 CENTER & OUTER CONTACTS - BERYLLIUM COPPER  
 ALL OTHER METAL PARTS - BRASS

**FINISH**

CENTER CONTACT - GOLD PLATED  
 ALL OTHER METAL PARTS - SILVER PLATED



CAGE-92180

**TRU-CONNECTOR CORPORATION**

245 LYNNFIELD STREET  
 PEABODY, MASSACHUSETTS 01960  
 phone: 508-532-0775  
 fax: 508-531-6993

**DESCRIPTION**

UG-154B/U,  
 CONNECTOR, COAXIAL, RF  
 SERIES "LC", PLUG, STRAIGHT  
 WITH CAPTIVE CONTACT

DRAWN BY RMK	DATE 2/6/97	SCALE 1.5X	CHKD. BY <i>[Signature]</i>	FILE AS 4023-GSUG
-----------------	----------------	---------------	--------------------------------	----------------------

REFERENCE BuShips (80064) REC49152 rev.D	DWG. NO. <b>TRU-4023-GSUG</b>
---	----------------------------------