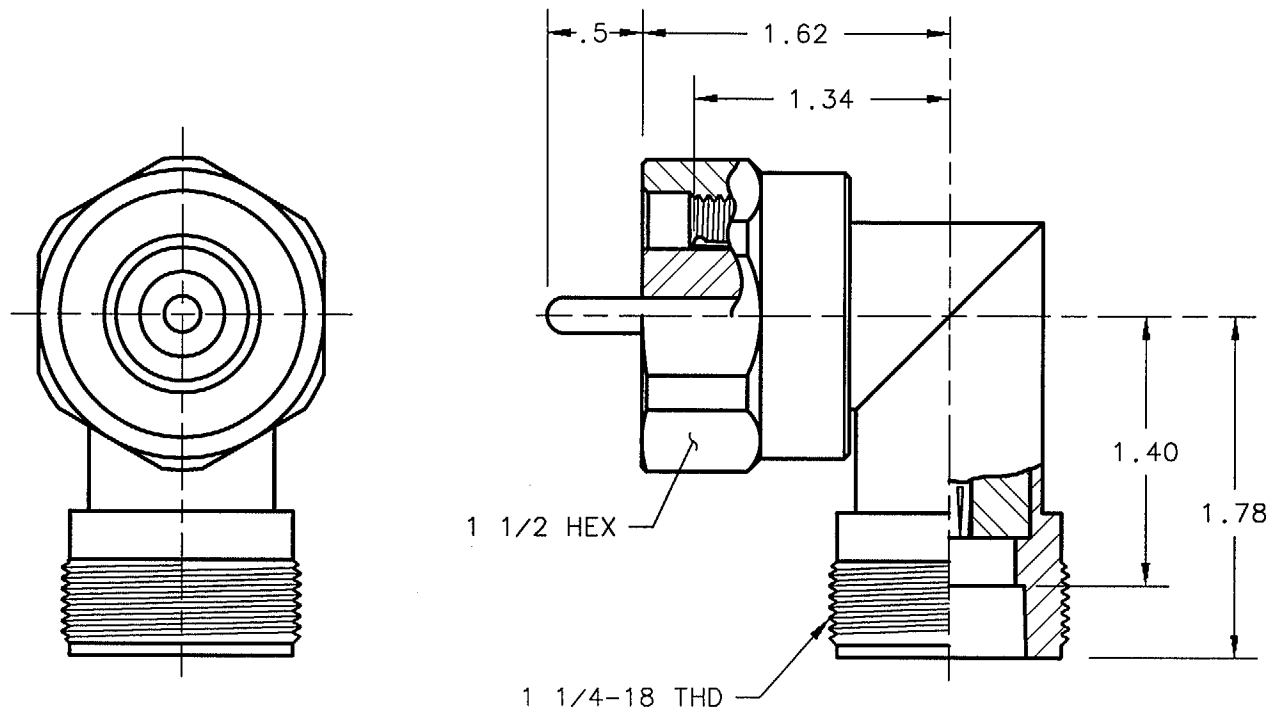


THIS DOCUMENT AND INFORMATION CONTAINED HEREIN ARE THE PROPERTY OF TRU-CONNECTOR CORP. REPRODUCTION OR USE THEREOF, IN WHOLE OR PART, IS PROHIBITED WITHOUT THE WRITTEN CONSENT OF TRU-CONNECTOR CORPORATION.

DWG. NO

TRU-4004-GSUG



MILITARY DESIGNATION: UG-216B/U  
 CONNECTOR MARKING: 92180 UG-216B/U  
 TRU-CONNECTOR PART NO: TRU-4004-GSUG

MATERIAL  
 O-RING - SILICONE RUBBER  
 INSULATORS - POLYETHYLENE  
 FEMALE CONTACT - BERYLLIUM COPPER  
 OTHER METAL PARTS - BRASS



CAGE-92180

TRU-CONNECTOR CORPORATION

245 LYNNFIELD STREET  
 PEABODY, MASSACHUSETTS 01960  
 phone: 978-532-0775  
 fax: 978-531-6993  
 E-mail: trusales@tru-con.com

DESCRIPTION  
 UG-216B/U  
 CONNECTOR, COAXIAL, RF  
 SERIES: LC(f-m)  
 ADAPTER, RIGHT ANGLE

FINISH  
 CONTACTS - GOLD PLATED  
 OTHER METAL PARTS - SILVER PLATED

DRAWN BY WWW	DATE 12-3-97	SCALE FULL	CHKD. BY <i>[Signature]</i>	FILE AS TRU-4004-GSUG
-----------------	-----------------	---------------	--------------------------------	--------------------------

REFERENCE UG-0208B/U

DWG. NO.  
 TRU-4004-GSUG