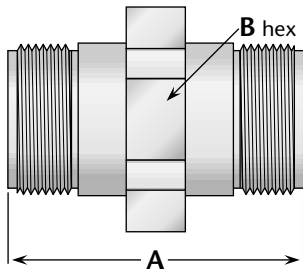
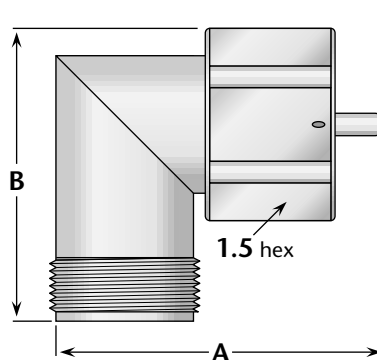


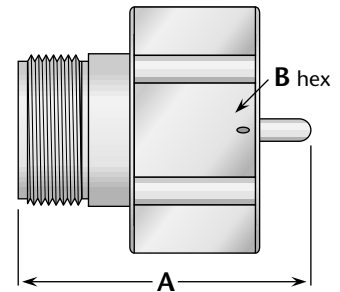
## LC Series Adapters



**Figure 1**  
(Straight jack-jack;  
connects two plugs)



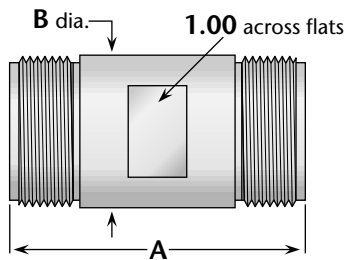
**Figure 2**  
(Right angle plug-jack;  
connects one plug and one jack)



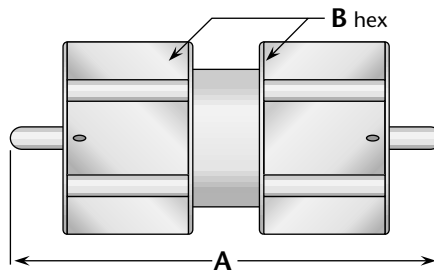
**Figure 3**  
(Straight LC jack-large LC plug;  
connects one LC plug  
and one large LC jack)

Figure	Dimensions		Plating		Delta P/N
	A	B	Body	Contact	
1	2.50	1.875	Nickel	Silver (C)	UG-157B/U
2	2.72	2.60	Nickel	Silver (C)	UG-216B/U
3	2.22	2.09	Nickel	Silver (C)	UG-220B/U

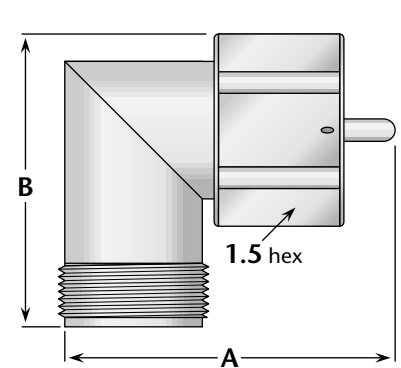
## LT Series Adapters



**Figure 1**  
(Straight jack-jack;  
connects two plugs)



**Figure 2**  
(Straight plug-plug;  
connects two jacks)



**Figure 3**  
(Right angle plug-jack;  
connects one plug and one jack)

Figure	Dimensions		Plating		Delta P/N
	A	B	Body	Contact	
1	2.50	1.25	Nickel	Silver (C)	UG-533B/U
2	3.70	1.50	Nickel	Silver (C)	3527-000-N001
3	2.81	2.56	Nickel	Silver (C)	UG-534B/U

(C) in contact plating column indicates captive contact.

**Note:** Not all LC series plugs and jacks are intermateable.  
Contact factory for compatibility information on specific plug/jack combinations.

For specifications and interface dimensions, download the file [DeltaLC.pdf](#) from our website.