

## 1. General Data

Moisture-proof, water-proof, non-corrosive.  
 Metal parts silver-plated and passivated.  
 Insulation: Teflon (P.T.F.E.) or polythene.  
 Seals: natural rubber.  
 Female contacts bronze.

*The inner conductor of the cable acts as the centre contact pin for the male connector.*

**Impedance:** 50 and 180 ohms.

*which do not mate with each other.*

**Frequency Range:** up to 10000 Mc/s.

**Operating Voltage:** 5 kV max.

**Temperature Limit:**  
 with polythene insulator 160°F/70°C  
 with Teflon insulator 480°F/250°C.

**Cable-Entry Sizes:** .410"... .885" dia.  
 (10,3...22,5 mm)

## 2. Suitable Cables

| Cable types<br>Examples  | Dielectric<br>dia. inches | Screen<br>dia. inches | Sheath<br>max. dia. inches | Suitable types<br>'LC' connectors |
|--|---------------------------|-----------------------|----------------------------|-----------------------------------|
| <b>RG-213/U</b>  | .285<br>(7,25 mm)         | .319<br>(8,1 mm)      | .425<br>(10,8 mm)          | <b>...LC-50-7-...</b>             |
| <b>RG-164/U</b><br><b>RG-218/U</b><br><b>RG-219/U</b><br><b>96 IEC-50-17-1</b> | .681<br>(17,3 mm)         | .738<br>(18,5 mm)     | .885<br>(22,5 mm)          | <b>...LC-50-17-...</b>            |
| <b>A17239/180</b>  | .681<br>(17,3 mm)         | .738<br>(18,5 mm)     | .885<br>(22,5 mm)          | <b>...LC-180-17-...</b>           |

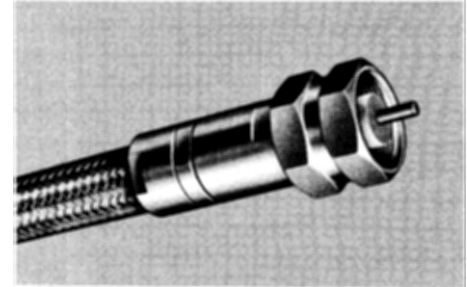
## 3. GK Armour-Clamp

The GK armour-clamp ensures a strong and functional fitting of 'LC' connectors to armoured cables.

The following GK-types are available:

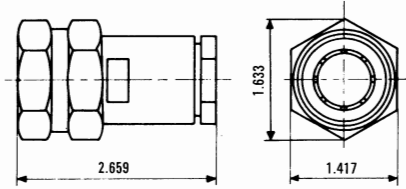
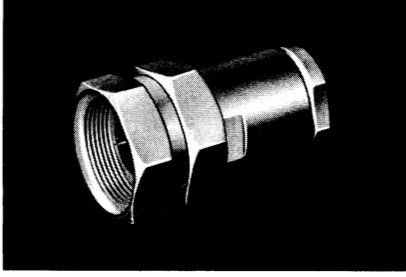
**GK103** for armoured cable,  
 dia. over sheath .405" (10,3 mm) (RG-215/U)

**GK220** for armoured cable,  
 dia. over sheath .866" (22,0 mm) (RG-219/U)



11LC-50-17-1 with GK 220  
 fitted to cable RG-219/U

## Plug 50 Ω

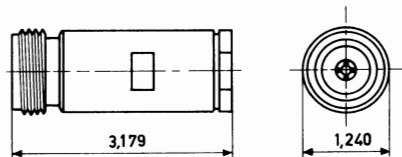
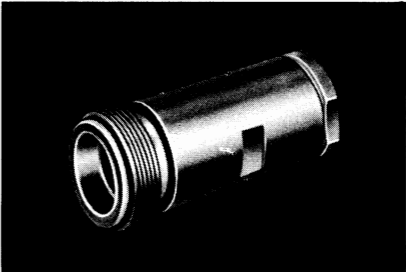


| Suhner Type         | US-MIL-Type     | NATO Type equivalent | Insulator material | cable        |                    |        |                 | assembly instruction number | notes  |
|---------------------|-----------------|----------------------|--------------------|--------------|--------------------|--------|-----------------|-----------------------------|--|
|                     |                 |                      |                    | dia. max. in | dielectric dia. in | screen | example         |                             |  |
| <b>11LC-50-7-1</b>  |                 |                      | Teflon             | .425         | .285               | 1      | RG-213/U        |                             | V-groove gasket                                    |
| <b>11LC-50-17-1</b> | <b>UG-154/U</b> | 5935-99-972-9032     |                    | .885         | .453               | 1      | RG-218/U (50 Ω) | 3030                        |  |
| <b>11LC-50-17-2</b> |                 |                      | Teflon             | .885         | .453               | 1      | RG-164/U (75 Ω) | 3030                        | ferrule to be soldered on inner conductor of cable |

## Plug 180 Ω

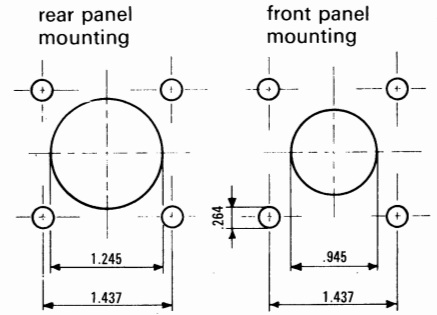
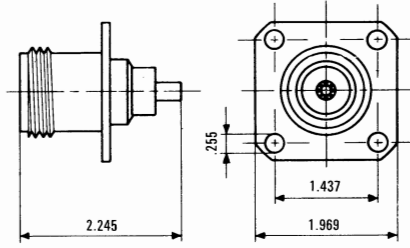
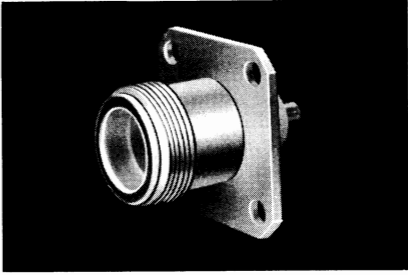
| Suhner Type           | US-MIL-Type | NATO Type equivalent | Insulator material | cable        |                    |        |             | assembly instruction number | notes             |
|-----------------------|-------------|----------------------|--------------------|--------------|--------------------|--------|-------------|-----------------------------|-------------------|
|                       |             |                      |                    | dia. max. in | dielectric dia. in | screen | example     |                             |                   |
| <b>11LC-180-17-1C</b> |             |                      | Teflon             | .885         | .453               | 1      | A 17239/180 |                             | for beaded cables |

## Jack 50 Ω



| Suhner Type          | US-MIL-Type | NATO Type equivalent | Insulator material | cable        |                    |        |          | assembly instruction number | notes |
|----------------------|-------------|----------------------|--------------------|--------------|--------------------|--------|----------|-----------------------------|-------|
|                      |             |                      |                    | dia. max. in | dielectric dia. in | screen | example  |                             |       |
| <b>21LC-50-17-1C</b> |             |                      | Polyethylene       | .885         | .453               | 1      | RG-218/U | 3031                        |       |

## Panel Receptacle 50 Ω

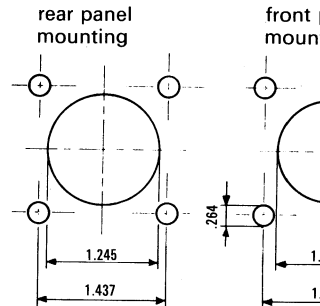
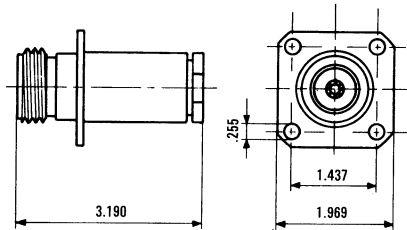
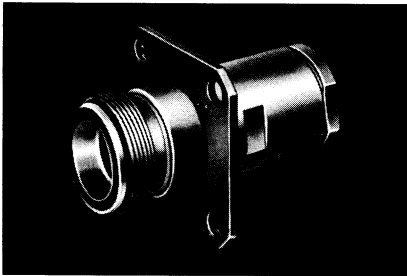


| Suhner Type        | US-MIL-Type     | NATO Type equivalent | Insulator material | cable        |                    |        |         | assembly instruction number | notes                        |
|--------------------|-----------------|----------------------|--------------------|--------------|--------------------|--------|---------|-----------------------------|------------------------------|
|                    |                 |                      |                    | dia. max. in | dielectric dia. in | screen | example |                             |                              |
| <b>23LC-50-0-1</b> | <b>UG-352/U</b> |                      | Teflon             |              |                    |        |         |                             | 4 clearance holes dia. .256" |

## Panel Receptacle 180 Ω

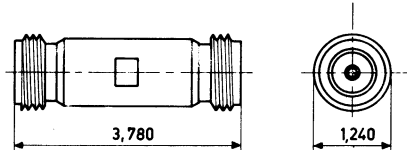
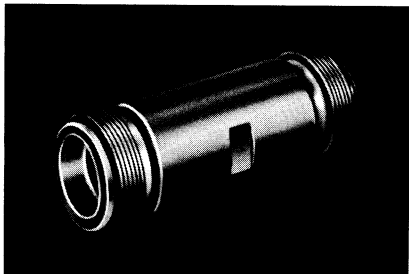
| Suhner Type         | US-MIL-Type | NATO Type equivalent | Insulator material | cable        |                    |        |         | assembly instruction number | notes                        |
|---------------------|-------------|----------------------|--------------------|--------------|--------------------|--------|---------|-----------------------------|------------------------------|
|                     |             |                      |                    | dia. max. in | dielectric dia. in | screen | example |                             |                              |
| <b>23LC-180-0-1</b> |             |                      | Teflon             |              |                    |        |         |                             | 4 clearance holes dia. .256" |

# Panel Jack 50 Ω



| Suhner Type          | US-MIL-Type | NATO Type equivalent | Insulator material | cable        |                    |        |          | assembly instruction number | notes                |
|----------------------|-------------|----------------------|--------------------|--------------|--------------------|--------|----------|-----------------------------|----------------------|
|                      |             |                      |                    | dia. max. in | dielectric dia. in | screen | example  |                             |                      |
| <b>25LC-50-17-1C</b> |             |                      | Polyethylene       | .885         | .453               | 1      | RG-218/U | 3031                        | 4 clearance holes di |

# Straight Adapter 50 Ω



| Suhner Type        | US-MIL-Type     | NATO Type equivalent | Insulator material | cable        |                    |        |         | assembly instruction number | notes               |
|--------------------|-----------------|----------------------|--------------------|--------------|--------------------|--------|---------|-----------------------------|---------------------|
|                    |                 |                      |                    | dia. max. in | dielectric dia. in | screen | example |                             |                     |
| <b>31LC-50-0-1</b> | <b>UG-155/U</b> |                      | Polyethylene       |              |                    |        |         |                             | female              |
| <b>37LC-50-0-1</b> | <b>UG-287/U</b> |                      | Polyethylene       |              |                    |        |         |                             | with flange as 25LC |

Further types on request