

The Best and Broadest
in RF Connectors

Amphenol[®] RF

SMP Product Catalog

Subminiature Coaxial Connectors from Amphenol RF
for Applications up to 40 GHz

October 2001



Amphenol RF SMP Part Numbering System Overview

<u>S</u>	<u>M</u>	<u>P</u>	-	<u>M</u>	<u>S</u>	<u>S</u>	<u>B</u>	-	<u>P</u>	<u>C</u>	<u>R</u>	-	<u>#</u>	
Series				Contact Gender	Body	Interface Configuration			Mounting Style				Special	
				M - Male F - Female	S - Straight R - Right Angle	<u>Males</u> FD - Full Detent LD - Limited Detent SB - Smooth Bore CM - Catcher's Mitt			<u>PCB Mounts</u> PCE - PCB Edge-Mount PCR - PCB Rear-Mount PCS - PCB Surface Mount PCT - PCB Thru-Hole					
							<u>Females</u> (Blank) BA - Bullet Adapter			<u>Cable Mounts</u> C0# - Cable Group #				
										<u>Bullet Adapter Lengths</u> 224 - 22.4 mm-long bullet adapter 645 - 6.45 mm-long bullet adapter				

Cable Group Codes	
6	.047 Semi-rigid cable
7	.086 Semi-rigid cable

Amphenol RF SMP Catalog

Current Offerings

Part Number	Description
Cable Connectors	
SMP-FS-C06	Female Straight for .047 Cable
SMP-FS-C07	Female Straight for .086 Cable
SMP-FR-C06	Female Right Angle for .047 Cable
SMP-FR-C07	Female Right Angle for .086 Cable
PCB Connectors	
SMP-MSSB-PCT	Male Straight (Smooth Bore) PCB Thru-Hole
SMP-MSCM-PCT	Male Straight (Catcher's Mitt) PCB Thru-Hole
SMP-MSLD-PCR	Male Straight (Limited-Detent) PCB Rear-Mount
SMP-MSSB-PCR	Male Straight (Smooth-Bore) PCB Rear-Mount
SMP-MSFD-PCE	Male Straight (Full Detent) PCB Edge-Mount
Bullet Adapters	
SMP-FSBA-645	Female-to-Female Bullet Adapter (6.45 mm long)
SMP-FSBA-224	Female-to-Female Bullet Adapter (22.4 mm long)

The Best and Broadest
in RF Connectors

Amphenol[®] RF

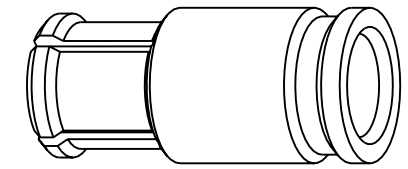
SMP Cable Connectors



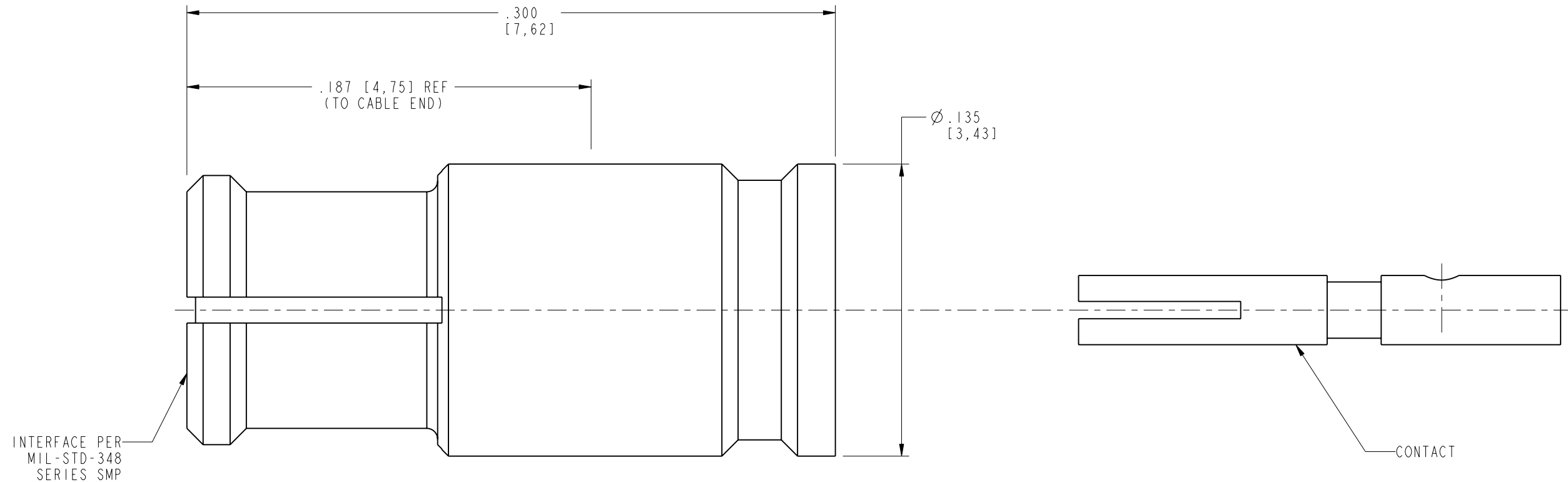
NOTES:

1. MATERIALS AND FINISHES:
 BODY - BeCu, GOLD PLATING, .000030 [0.8] THICK OVER NICKEL
 CONTACT - BeCu, GOLD PLATING, .000030 [0.8] THICK OVER NICKEL
 INSULATOR - PTFE
2. ELECTRICAL:
 A. IMPEDANCE: 50 OHM
 B. FREQUENCY RANGE: DC - 26.5 GHz
 C. VSWR(RETURN LOSS): 1.2 (20.8 dB), MAX. DC-10GHz
 1.4 (15.6 dB), MAX. 10-18GHz
 1.5 (14 dB), MAX. 18-26.5GHz
 D. DIELECTRIC WITHSTANDING VOLTAGE: 500 VRMS, MIN.
3. PHYSICAL:
 A. DURABILITY: 100 CYCLES MIN.
 B. ENGAGEMENT FORCE: 15 LB [67 N] MAX
 C. DISINGAGEMENT FORCE: 2 LB [9 N] MIN
 E. TEMPERATURE RANGE: -65° C TO 165° C
4. PACKAGING:
 A. QUANTITY: SINGLE PACK
 B. MARKING: , AMPHENOL, SMP-FS-C07, DATE CODE
5. SEE AMPHENOL SPEC 349-50685 FOR CABLE ASSEMBLY INSTRUCTIONS.

SMP-FS-C07		REVISIONS			
DRAWING NO.	REV	DESCRIPTION	DATE	ECO	APPR
THIRD ANGLE PROJ.	01	PROTOTYPE RELEASE	10/02/01		MAH



SCALE 6.000



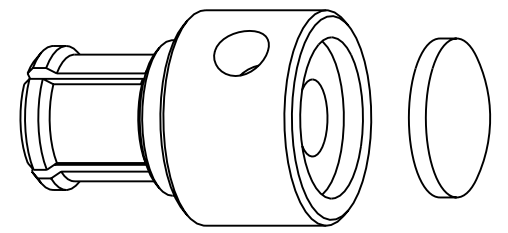
CUSTOMER OUTLINE DRAWING
ALL OTHER SHEETS ARE FOR INTERNAL USE ONLY

UNLESS OTHERWISE SPECIFIED, DIMENSIONS ARE IN INCHES AND TOLERANCES ARE: 2 PLACE DECIMAL 3 PLACE DECIMAL ANGLES ±.015 (0,381 mm) ±.005 (0,127 mm) ± 1°	MATERIAL	DRAWN MIKE HOYACK	DATE 02-Oct-01	TITLE SMP FEMALE SOCKET CONTACT TO .086 S/R CABLE		Amphenol Amphenol Corporation Communication and Network Products Division Danbury, CT U.S.A. 06810
	REFERENCE GEN# ASSYF2_SMP EAR# 967585-1 615X-1633-100	ENGINEER OWEN BARTHELMES	DATE 15-Feb-01			
NOTICE - These drawings, specifications, or other data (1) are, and remain the property of Amphenol Corp. (2) must be returned upon request; and (3) are confidential and not to be disclosed to any person other than those to whom they are given by Amphenol Corp. The furnishing of these drawings, specifications, or other data by Amphenol Corp., or to any other person to anyone for any purpose is not to be regarded by implication or otherwise in any manner licensing, granting rights or permitting such holder or any other person to manufacture, use or sell any product, process or design, patented or otherwise, that may in any way be related to or disclosed by said drawings, specifications, or other data.	CAD FILE I:\SMP\SMP-FS-C07	CODE ID 74868	DWG SIZE B	DRAWING NO. SMP-FS-C07	REV 01	

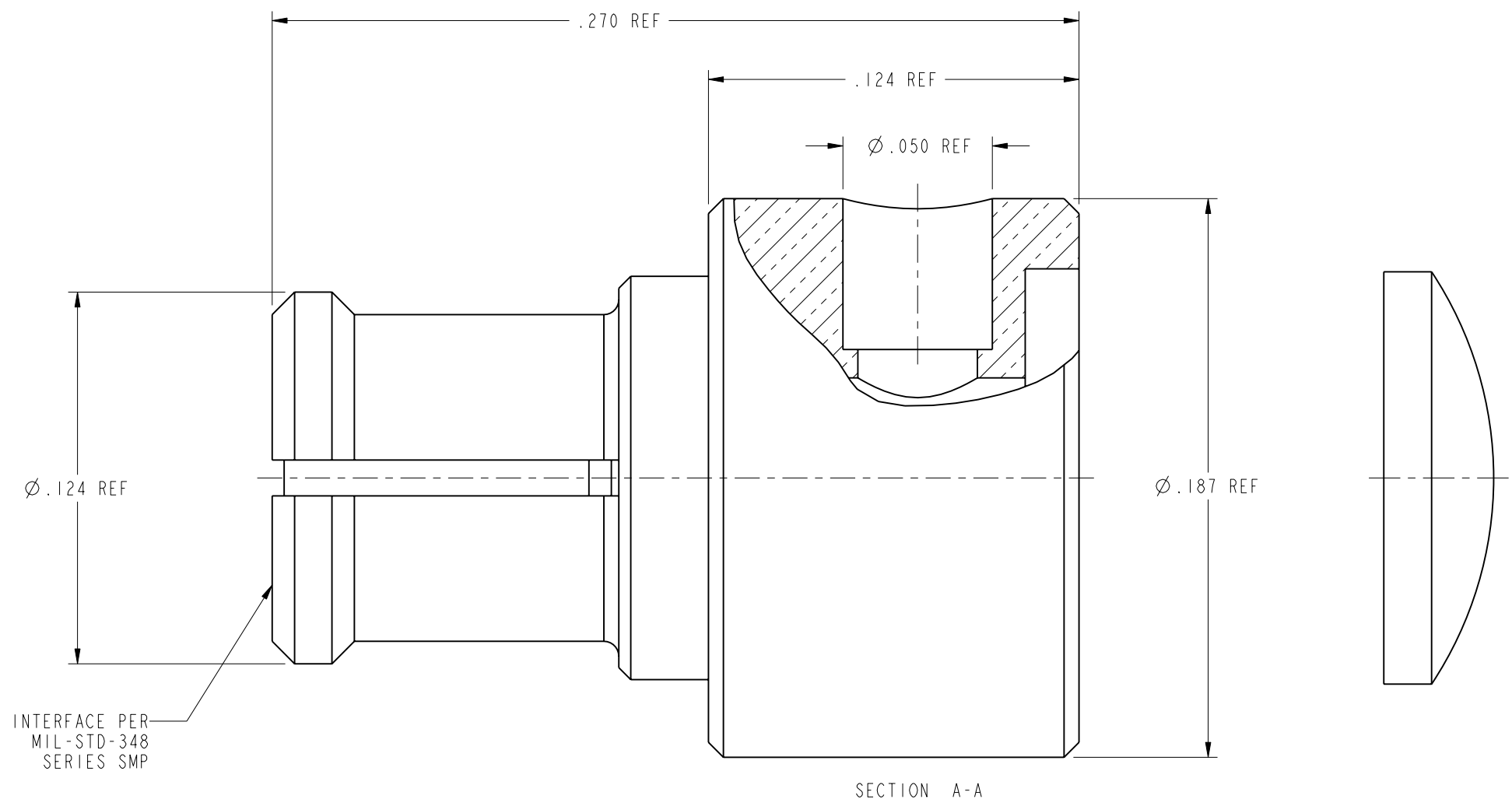
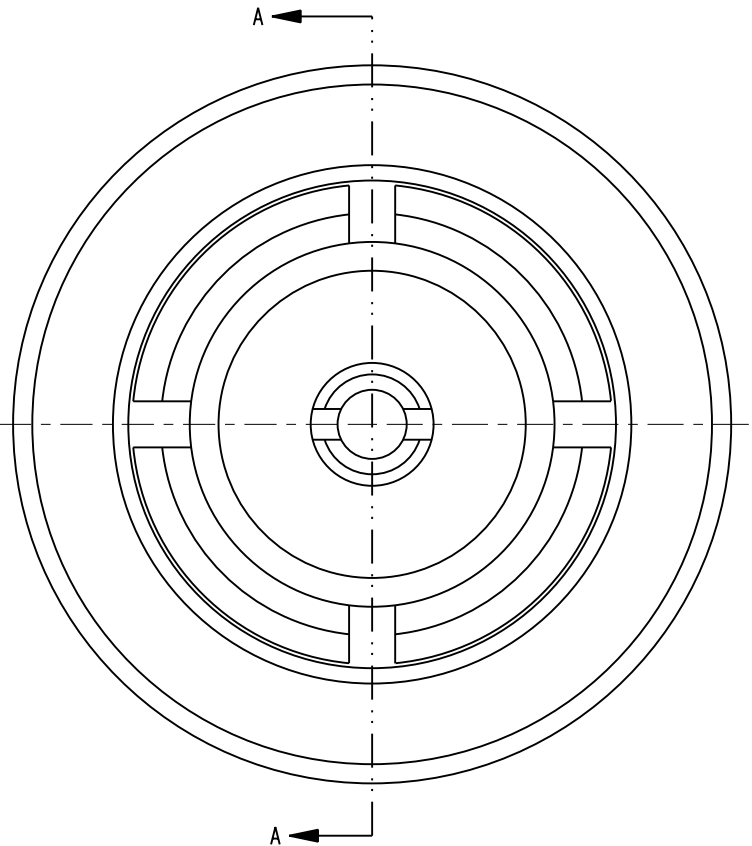
NOTES:

1. MATERIALS AND FINISHES:
 BODY - BeCu, GOLD PLATING, .000030 [0.8] THICK OVER NICKEL
 CONTACT - BeCu, GOLD PLATING, .000030 [0.8] THICK OVER NICKEL
 INSULATOR - PTFE
2. ELECTRICAL:
 A. IMPEDANCE: 50 OHM
 B. FREQUENCY RANGE: DC - 26.5 GHz
 C. VSWR(RETURN LOSS): 1.2 (20.8 dB), MAX. DC-10GHz
 1.4 (15.6 dB), MAX. 10-18GHz
 1.5 (14 dB), MAX. 18-26.5GHz
 D. DIELECTRIC WITHSTANDING VOLTAGE: 500 VRMS, MIN.
3. PHYSICAL:
 A. DURABILITY: 100 CYCLES MIN.
 B. ENGAGEMENT FORCE: 15 LB [67 N] MAX
 C. DISENGAGEMENT FORCE: 2 LB [9 N] MIN
 E. TEMPERATURE RANGE: -65° C TO 165° C
4. PACKAGING:
 A. QUANTITY: SINGLE PACK
 B. MARKING: AMPHENOL, SMP-FR-C06, DATE CODE
5. SEE AMPHENOL SPEC 349-50687 FOR CABLE ASSEMBLY INSTRUCTIONS.

SMP-FR-C06		REVISIONS			
DRAWING NO.	REV	DESCRIPTION	DATE	ECO	APPR
THIRD ANGLE PROJ.	01	PROTOTYPE RELEASE	10/02/01		MAH



SCALE 6.000



SECTION A-A

CUSTOMER OUTLINE DRAWING
 ALL OTHER SHEETS ARE FOR INTERNAL USE ONLY

UNLESS OTHERWISE SPECIFIED, DIMENSIONS ARE IN INCHES AND TOLERANCES ARE: 2 PLACE DECIMAL 3 PLACE DECIMAL ANGLES ±.015 (0,381 mm) ±.005 (0,127 mm) ± 1°	MATERIAL	DRAWN M. HOYACK	DATE 02-Oct-01	TITLE SMP R/A FEMALE SOCKET CONTACT FOR .047 S.R. CABLE		Amphenol Amphenol Corporation Communication and Network Products Division Danbury, CT U.S.A. 06810	
	REFERENCE GEN# ASSYF3_SMP EAR# 322 615X-1716	ENGINEER G. ANTONINI	DATE 24-Jul-01				
NOTICE - These drawings, specifications, or other data (1) are, and remain the property of Amphenol Corp. (2) must be returned upon request; and (3) are confidential and not to be disclosed to any person other than those to whom they are given by Amphenol Corp. The furnishing of these drawings, specifications, or other data by Amphenol Corp., or to any other person to anyone for any purpose is not to be regarded by implication or otherwise in any manner licensing, granting rights or permitting such holder or any other person to manufacture, use or sell any product, process or design, patented or otherwise, that may in any way be related to or disclosed by said drawings, specifications, or other data.	CAD FILE I:\SMP\SMP-FR-C06	CODE ID 74868	DWG SIZE B	DRAWING NO. SMP-FR-C06	REV 01		

The Best and Broadest
in RF Connectors

Amphenol[®] RF

SMP Printed Circuit Board Connectors



The Best and Broadest
in RF Connectors

Amphenol[®] RF

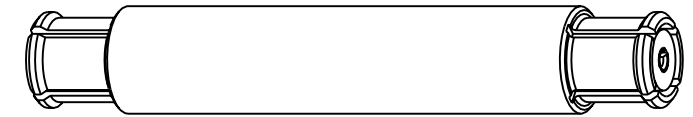
SMP Bullet Adapters



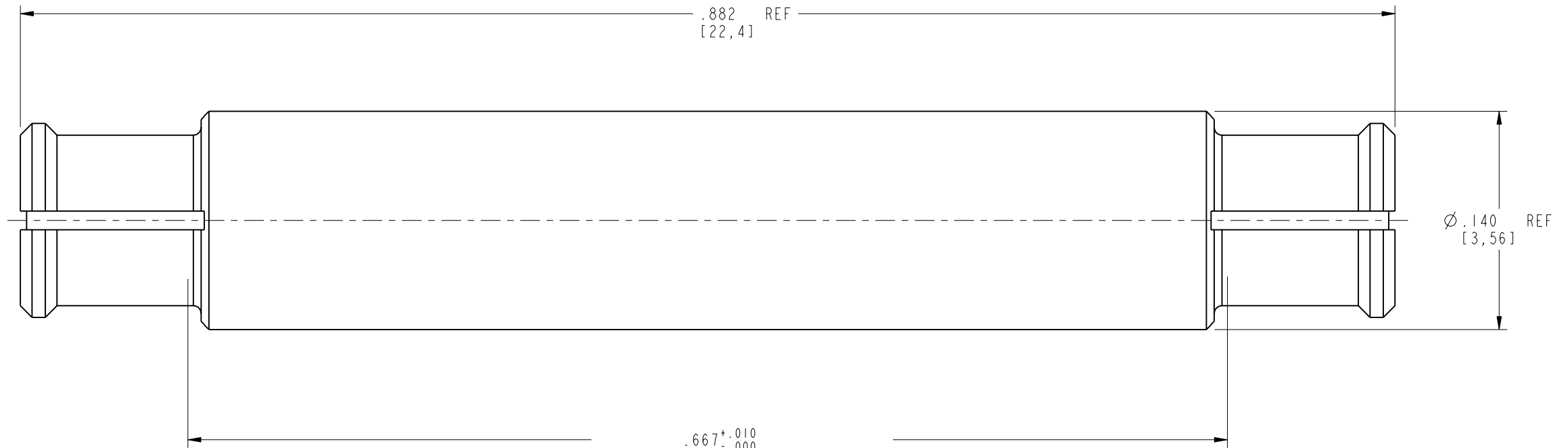
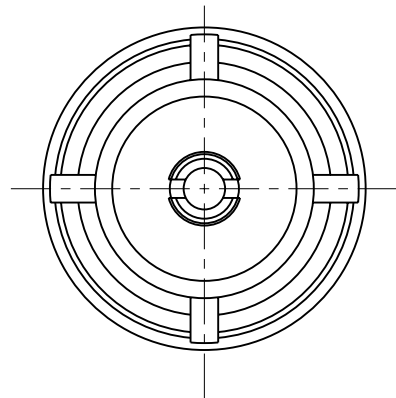
NOTES:

1. MATERIALS AND FINISHES:
 - BODY - BeCu, GOLD PLATING, .000030 [0.8] THICK OVER NICKEL
 - CONTACT - BeCu, GOLD PLATING, .000030 [0.8] THICK OVER NICKEL
 - INSULATOR - PTFE
2. ELECTRICAL:
 - A. IMPEDANCE: 50 OHM
 - B. FREQUENCY RANGE: DC - 26.5 GHz
 - C. VSWR(RETURN LOSS): 1.2 (20.8 dB), MAX. DC-10GHz
 1.4 (15.6 dB), MAX. 10-18GHz
 1.5 (14 dB), MAX. 18-26.5GHz
 - D. DIELECTRIC WITHSTANDING VOLTAGE: 500 VRMS, MIN.
3. PHYSICAL:
 - A. DURABILITY: 100 CYCLES MIN.
 - B. ENGAGEMENT FORCE: 15 LB [67 N] MAX
 - C. DISINGAGEMENT FORCE: 2 LB [9 N] MIN
 - E. TEMPERATURE RANGE: -65° C TO 165° C
4. PACKAGING:
 - A. QUANTITY: SINGLE PACK
 - B. MARKING: AMPHENOL, SMP-FSBA-224, DATE CODE

SMP-FSBA-224		REVISIONS			
DRAWING NO.	REV	DESCRIPTION	DATE	ECO	APPR
THIRD ANGLE PROJ.	01	PROTOTYPE RELEASE	03-Oct-01		MAH



SCALE 4.000



.667^{+0.010}/_{-0.000}
 [16,94^{+0.25}/_{-0.00}]
 REQUIRED JACK TO JACK SPACING
 FOR BLIND MATE APPLICATIONS

CUSTOMER OUTLINE DRAWING
 ALL OTHER SHEETS ARE FOR INTERNAL USE ONLY

UNLESS OTHERWISE SPECIFIED, DIMENSIONS ARE IN INCHES AND TOLERANCES ARE: 2 PLACE DECIMAL 3 PLACE DECIMAL ANGLES ±.015 (0,381 mm) ±.005 (0,127 mm) ± 1°	MATERIAL	DRAWN M. HOYACK	DATE 27-Sep-01	TITLE SMP BULLET ADAPTER FEMALE TO FEMALE	Amphenol Amphenol Corporation Communication and Network Products Division Danbury, CT U.S.A. 06810
	REFERENCE GEN# ASSYF4_SMP EAR# 283 615X-1721	ENGINEER M. HOYACK	DATE 27-Sep-01		
NOTICE - These drawings, specifications, or other data (1) are, and remain the property of Amphenol Corp. (2) must be returned upon request; and (3) are confidential and not to be disclosed to any person other than those to whom they are given by Amphenol Corp. The furnishing of these drawings, specifications, or other data by Amphenol Corp., or to any other person to anyone for any purpose is not to be regarded by implication or otherwise in any manner licensing, granting rights or permitting such holder or any other person to manufacture, use or sell any product, process or design, patented or otherwise, that may in any way be related to or disclosed by said drawings, specifications, or other data.		CAD FILE I:\SMP\SMP-FSBA-224	CODE ID 74868	DWG SIZE B	DRAWING NO. SMP-FSBA-224
					SCALE: 12.0:1 SHEET 2 OF 2
					REV 01

