

Stack (Refer)

2 x 4S
2 x 7S
2 x 3S
1 x 5S

DSCN0113

RM SERIES SHELL SIZE 12 – 31mm CIRCULAR CONNECTORS

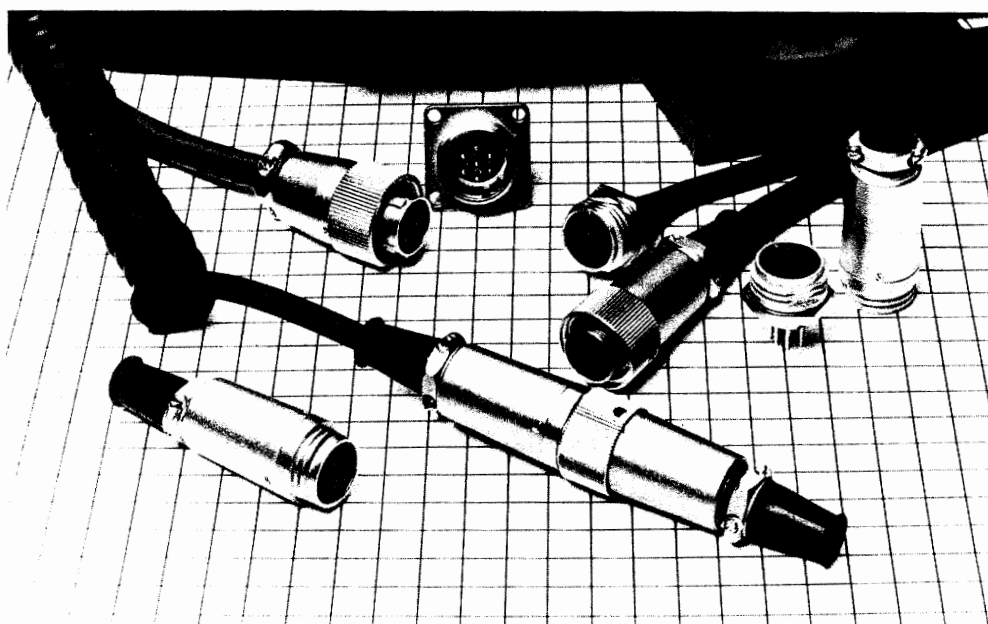
Introduction

RM Series are compact, circular connectors HIROSE has developed as the result of many years of research and proven experience to meet the most stringent demands of communication equipment as well as electronic equipment. RM Series is available in 5 shell sizes: 12, 15, 21, 24, and 31. There are also 16 kinds of contacts: 2, 3, 4, 5, 6, 7, 8, 10, 12, 15, 20, 31, 40, and 55 (contacts 2 and 4 are available in two types). The lock mechanisms with thread

coupling type, bayonet sleeve type or quick detachable type are easy to use.

Various kinds of accessories are available.

RM Series are miniaturized in size, rugged and excellent in mechanical and electrical performance thus making it possible to meet the most stringent demands of users. Refer to the contact arrangements of RM series connectors on page 46.



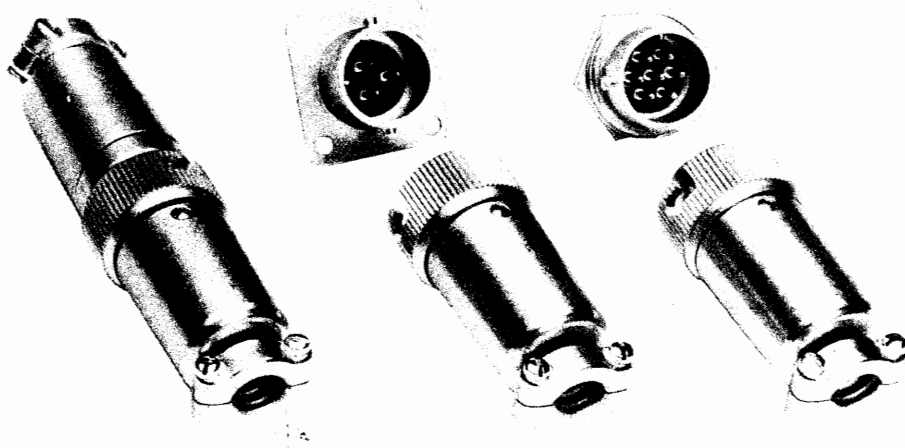
Material and Finish

| | |
|----------------|---|
| Socket Contact | 1) CDA alloy 194 (all of solder pot type), Silver plated 2) Phosphor bronze (dip soldering and crimping type), Silver plated |
| Pin Contact | Brass, Silver plated |
| Molding | 1) UL94V-0 diallyl phthalate (all of solder pot type), Black 2) UL94V-0 glass-filled polycarbonate (dip soldering and crimping type), Black |
| Shell | 1) Zinc alloy (RM12B, RM15T-Video), Nickel plated 2) Brass (RM15Q, Other RM series), Nickel plated |
| Body | 1) Zinc alloy (RM12B), Matte finish nickel plated 2) Aluminum alloy (RM15T-Video), Alumite coating 3) Brass (RM15Q, Other RM series), Bright finish nickel plated |

RM12B SERIES SHELL SIZE 12mm BAYONET LOCK CONNECTORS

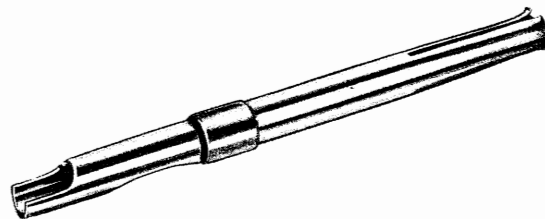
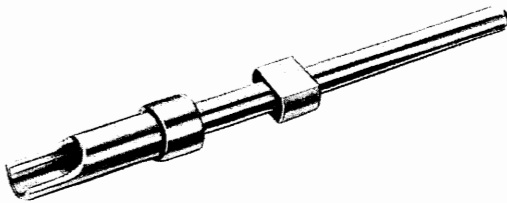
Hirose has developed RM12B series in order to supply customers better cylindrical connectors which enable easier soldering termination due to the long plug body. Diecast

zinc alloy housings reduce costs. Coupled with reliable, long life contacts, the RM12B connectors are an attractive and competitive offering.



Pin Contact

Socket Contact



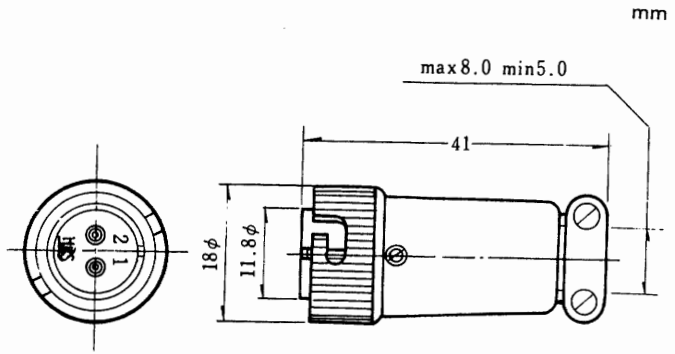
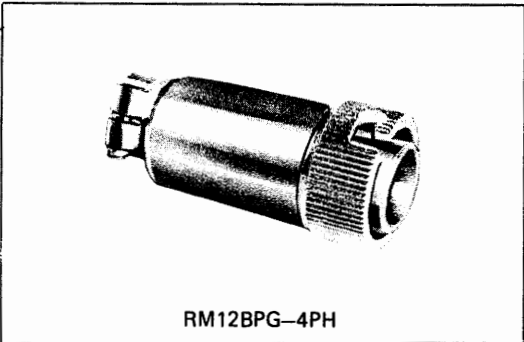
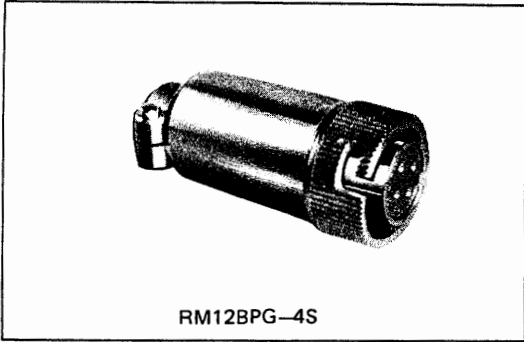
Features

- Pipe shaped socket contact for long life reliable operation
- UL94V-0 diallyl phthalate molding material for excellent electrical and mechanical characteristics
- Sleek design with grainy matte finish
- Bayonet type coupling for easy operation
- Reversible pin and socket insert
- 2,3,4,5,6, and 7 pin available in the common diecasting body
- Besides plug and receptacle, a jack is available for cable extension program

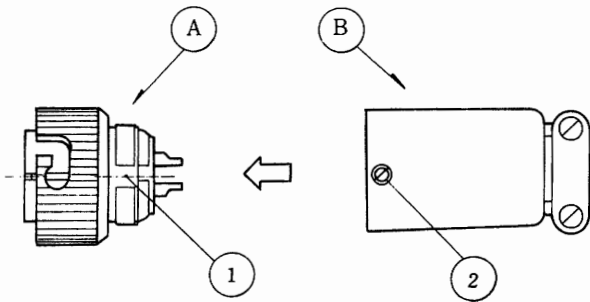
Specification

- Operating voltage: AC600V (2 pin)
AC500V (3 and 4 pin)
AC350V (5,6 and 7 pin)
- Current rating: 5 amps
- Insulation resistance: min. 1,000M Ω at DC500V
- Contact resistance: max. 4m Ω
- Solder cup diameter: 1.1mm (.043")
- Temperature cycling: -55°C to +85°C
- Contact durability: 2000 times at max. 8m Ω

Plug



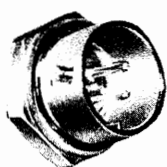
| No. of pin | Part No. |
|------------|---------------------------|
| 2 | RM12BPG-2PH RM12BPG-2S |
| 3 | RM12BPG-3PH RM12BPG-3S |
| 4 | RM12BPG-4PH RM12BPG-4S |
| 5 | RM12BPG-5PH RM12BPG-5S |
| 6 | RM12BPG-6PH RM12BPG-6S |
| 7 | RM12BPG-7PH RM12BPG-7S |



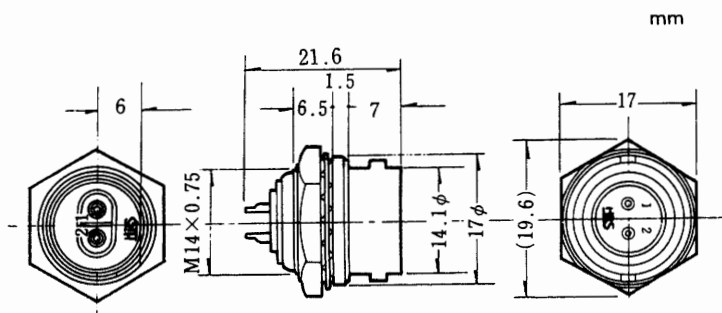
Caution:
After soldering termination, when ② part is screwed onto ① part, please pay attention to locate them, so the screw ② drops in one of three dents as shown ① around the rim.

Contact arrangement

| Shell size | Contact Arrangements | | | | | | |
|-----------------|----------------------|---|---|---|---|---|--|
| 12 | | | | | | | |
| No. of contacts | 2 | 3 | 4 | 5 | 6 | 7 | |



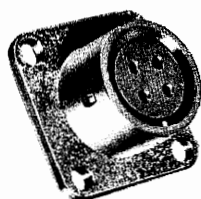
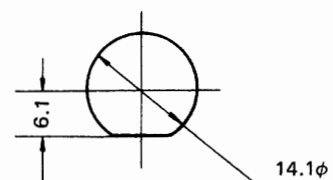
RM12BRD-4PH



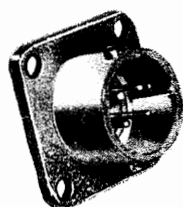
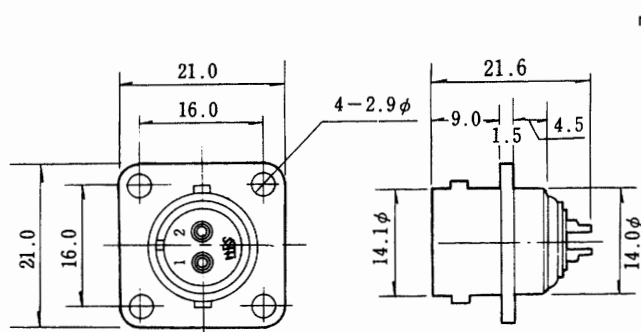
RM12BRD-4S

| No. of pins | Part No. |
|-------------|---------------------------|
| 2 | RM12BRD-2S RM12BRD-2PH |
| 3 | RM12BRD-3S RM12BRD-3PH |
| 4 | RM12BRD-4S RM12BRD-4PH |
| 5 | RM12BRD-5S RM12BRD-5PH |
| 6 | RM12BRD-6S RM12BRD-6PH |
| 7 | RM12BRD-7S RM12BRD-7PH |

Mounting Hole



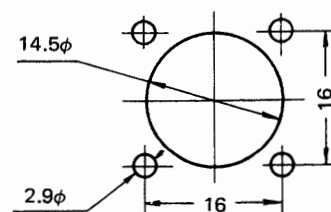
RM12BRB-4S



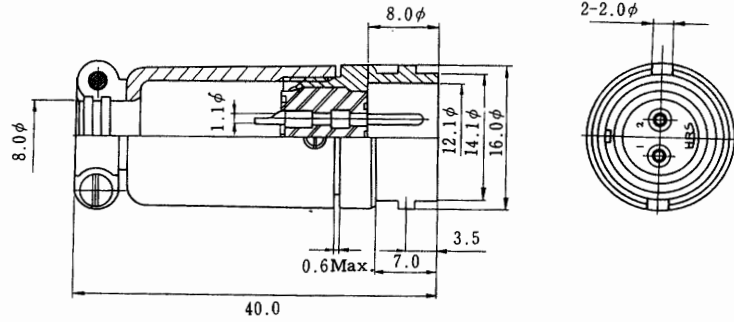
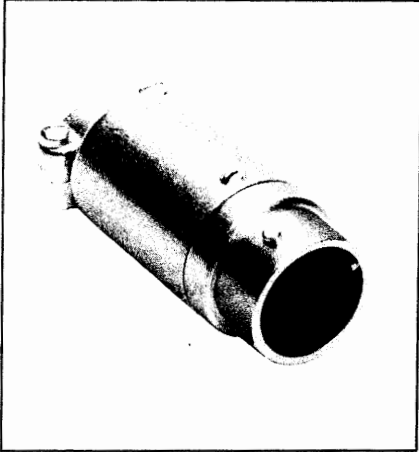
RM12BRB-4PH

| No. of pins | Part No. |
|-------------|---------------------------|
| 2 | RM12BRB-2S RM12BRB-2PH |
| 3 | RM12BRB-3S RM12BRB-3PH |
| 4 | RM12BRB-4S RM12BRB-4PH |
| 5 | RM12BRB-5S RM12BRB-5PH |
| 6 | RM12BRB-6S RM12BRB-6PH |
| 7 | RM12BRB-7S RM12BRB-7PH |

Mounting Hole



Jack



| No. of pins | Part No. |
|-------------|---------------------------|
| 2 | RM12BJB-2S RM12BJB-2PH |
| 3 | RM12BJB-3S RM12BJB-3PH |
| 4 | RM12BJB-4S RM12BJB-4PH |
| 5 | RM12BJB-5S RM12BJB-5PH |
| 6 | RM12BJB-6S RM12BJB-6PH |
| 7 | RM12BJB-7S RM12BJB-7PH |

Ordering Information

RM 21 T P A - 20 S Y ()

- Series Name; _____
RM: Round Miniature
- Shell Size; _____
The shell size is figured by outer diameter of fitting section of plug and available in 5 types, 12, 15, 21, 24, 31.
- Type of lock mechanism; _____
T: Thread coupling type
B: Bayonet sleeve type
Q: Quick detachable type
- Shell Type; _____
P: Plug
R: Receptacle
J: Jack
- Shell model change mark; _____
Each time the shell undergoes a change in enclosure or the like, it is marked as A, B, D, E, and so on.
- Contact Arrangement; _____
Number of contacts.
- Type of Contact; _____
P: Pin
S: Socket
- Change of insert position; _____
When change of insert position is required, a letter, W, X, Y, or Z is used. See page 61.
- Cable dia. _____
(): Stands for the dia. of cords for dustproof and water-proof plugs.
For details, please refer to the descriptions on page

