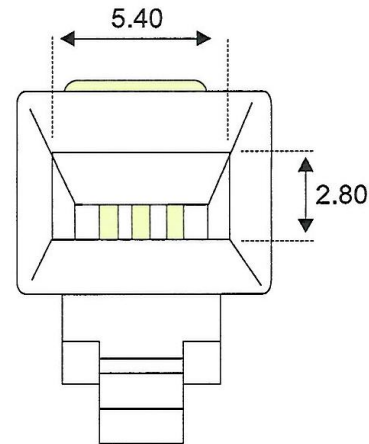
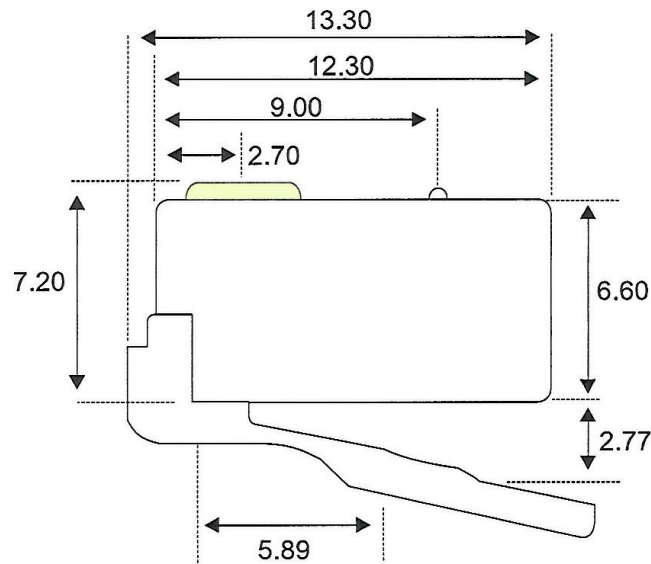
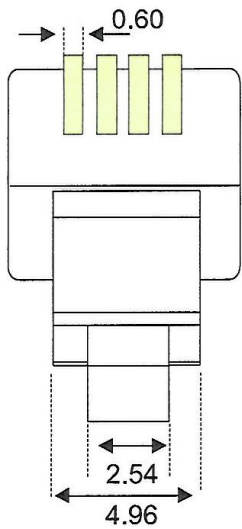


**Materials**

Housing: Polycarbonate UL94V-2

Terminal: 0.014 inch Phosphor Bronze  
 Selective Gold Plating  
 over 0.0001 inch Thick Nickel Underplate



Part Number:

Approvals:

Date:

Description:

4W Modular Plug ("handset") for Flat Cable

Drawn: RL

Apr 99

Dwg No: 4261

Units: mm

Checked:

Rev: 01

Sheet: of