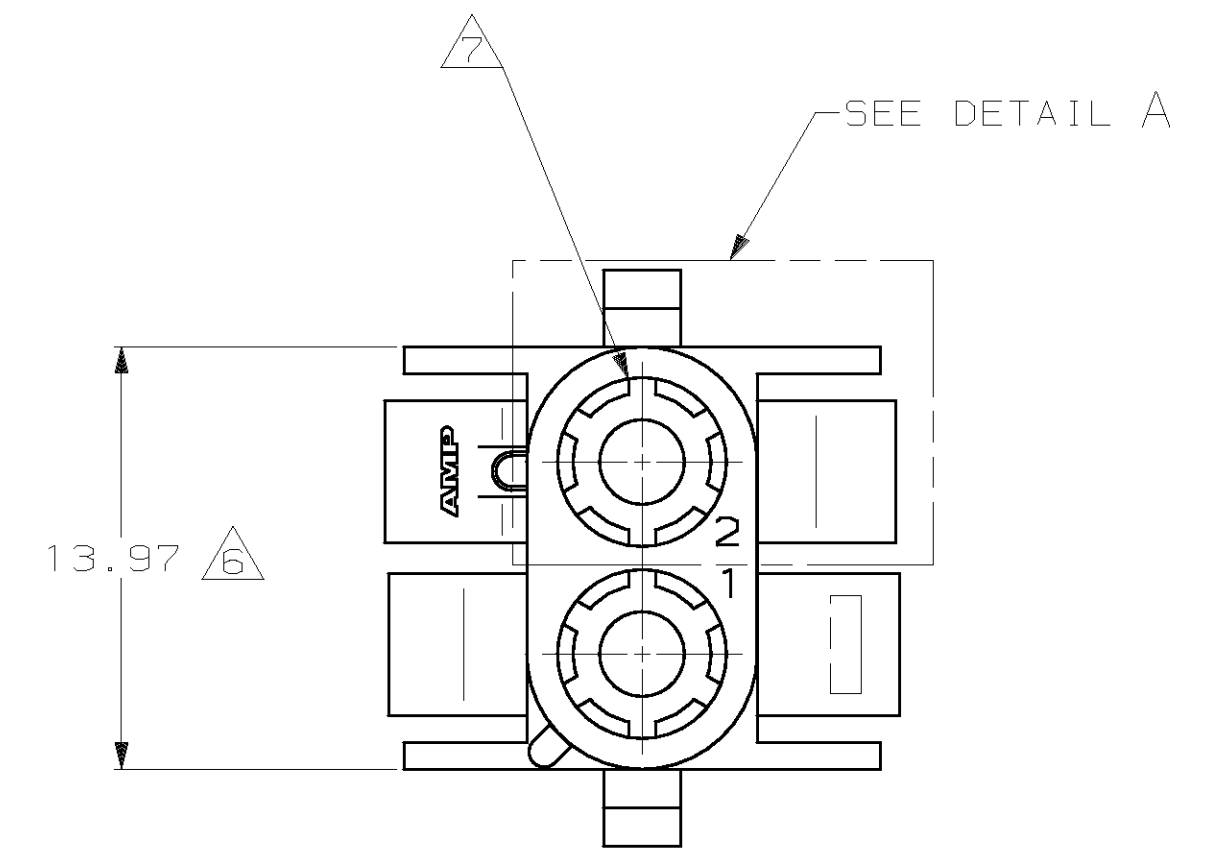
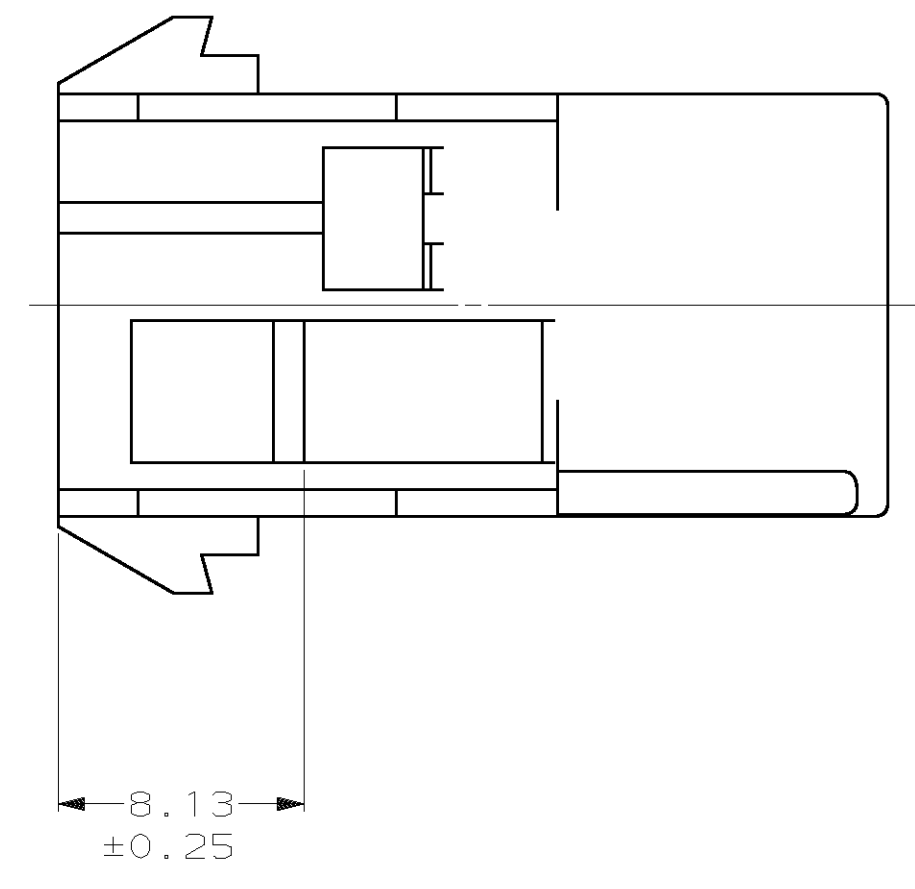
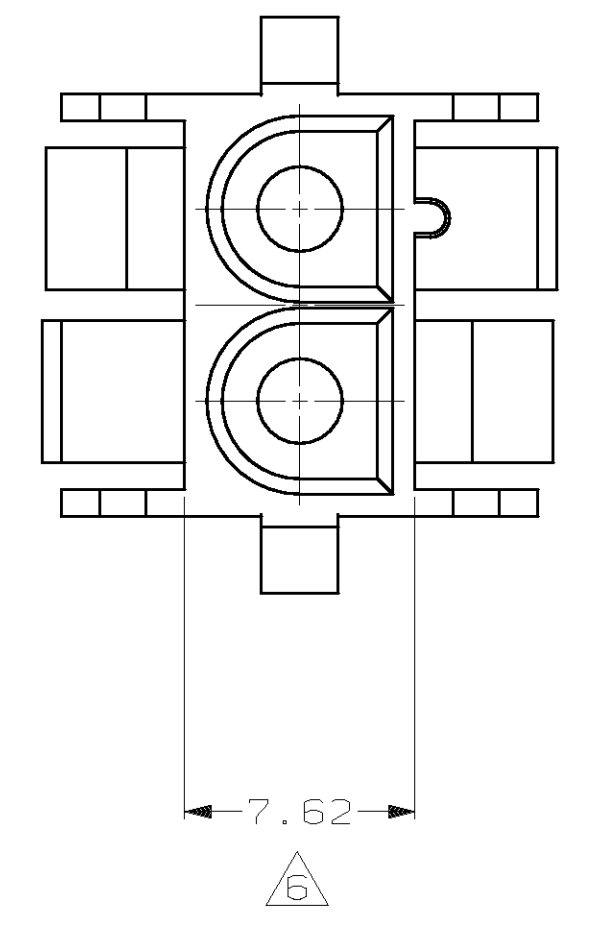
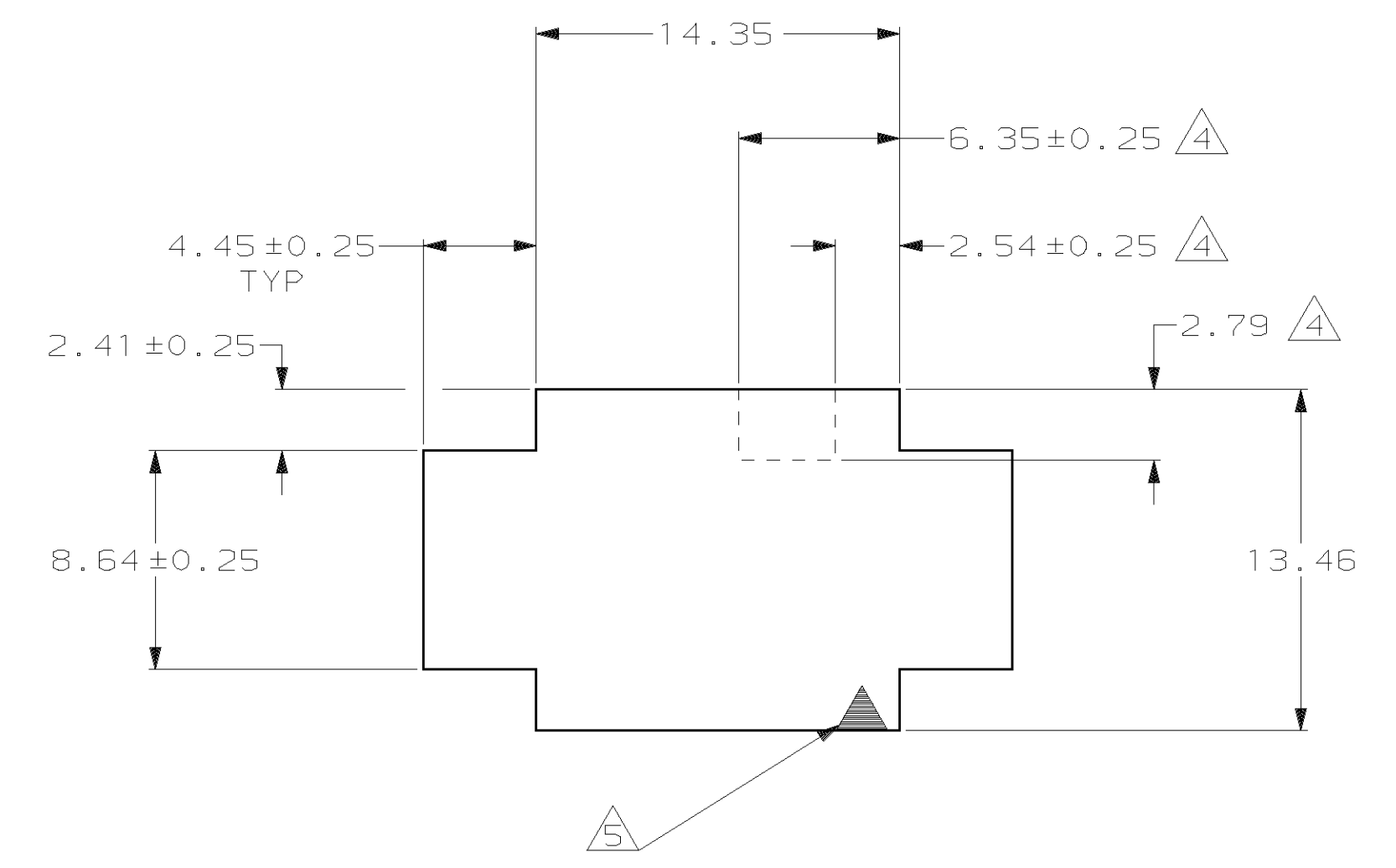
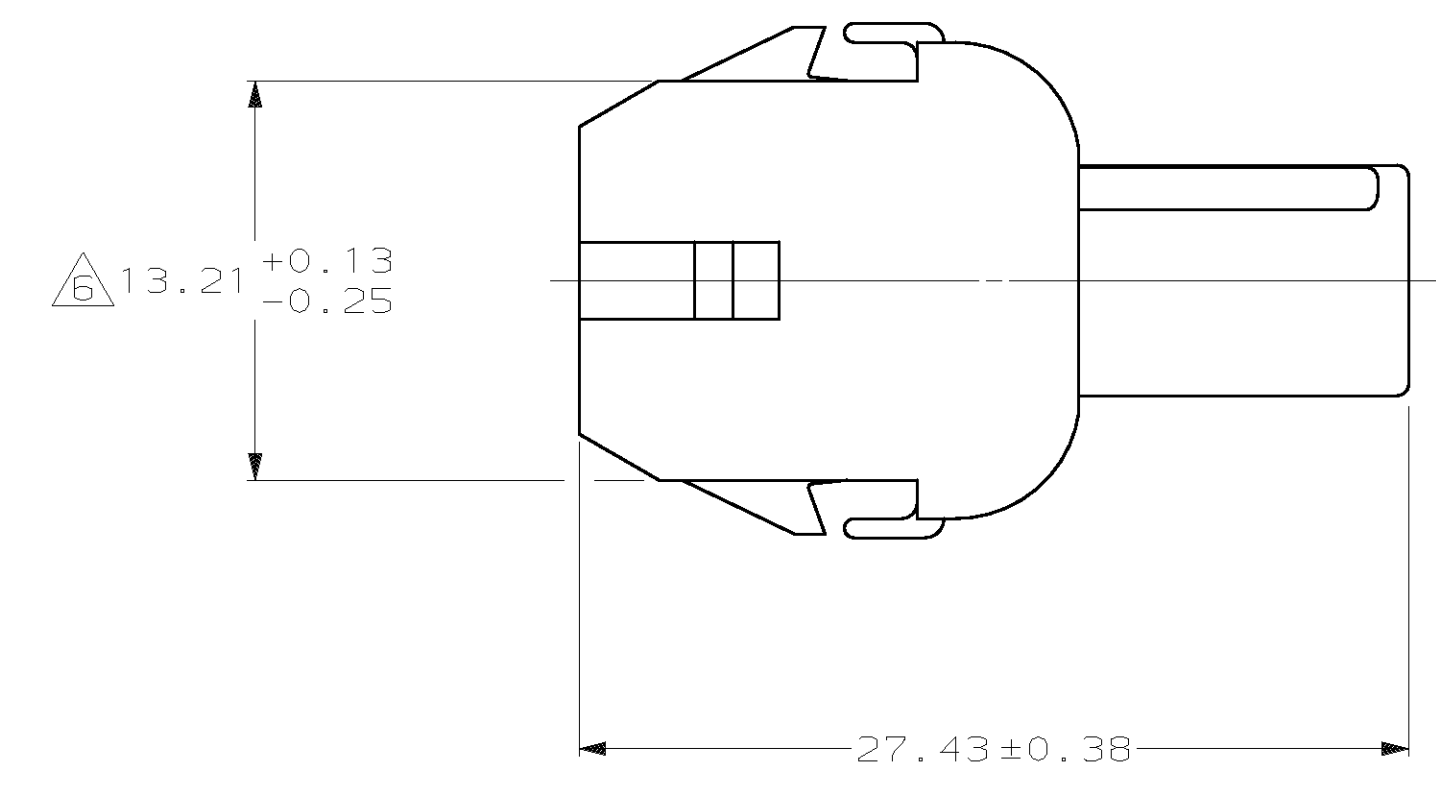
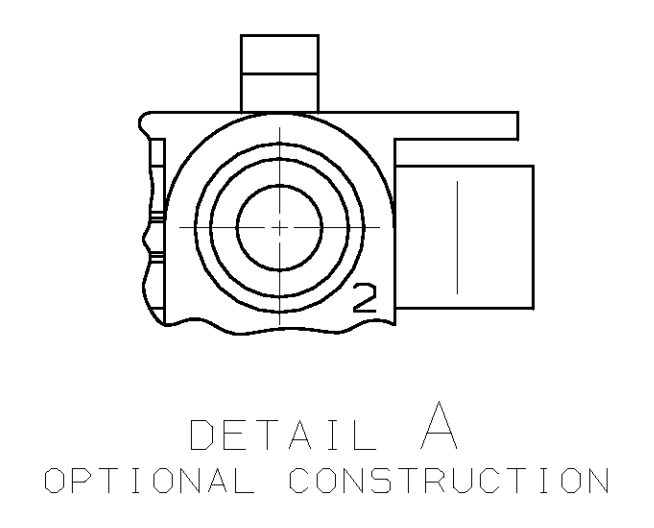


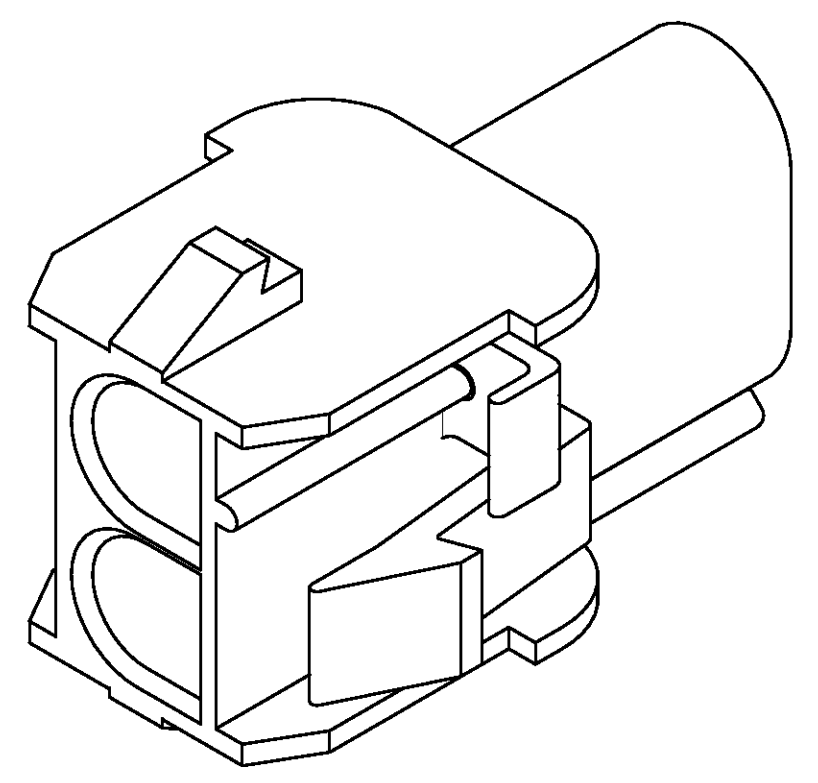
LOC		DIST		P		F		ZONE		LTR		REVISIONS		DATE	APPD	
CM	53												AB	085-19 PER EC 0730-0137-96	7-1-97	JH RS



- MATES WITH APPROPRIATE UNIVERSAL MATE-N-LOK™ PLUG.
  - RECOMMENDED PANEL THICKNESS 0.76 - 2.29.
  - PANEL MUST BE PUNCHED SO THAT THE HOUSING ENTERS THE PANEL IN THE SAME DIRECTION AS THE PUNCH.
- △ 4 OPTIONAL FOR KEYING HOUSING IN PANEL.
  - △ 5 CIRCUIT NUMBER 1 LOCATION.
  - △ 6 DIMENSION INDICATED IS AS MOLDED. ADDITIONAL GROWTH DUE TO SUBSEQUENT MOISTURE ABSORPTION MAY OCCUR.
  - △ 7 SIX RIBS EQUALLY SPACED, NO SPECIFIC ORIENTATION.



RECOMMENDED PANEL CUT OUT



3-DIMENSIONAL MODEL  
NTS

MM	IN	MM	IN
4.45	.175	27.43	1.080
2.79	.110	14.35	.565
2.54	.100	13.97	.550
2.41	.095	13.46	.530
2.29	.090	13.21	.520
0.76	.030	8.64	.340
0.38	.015	8.13	.320
0.25	.010	7.62	.300
0.13	.005	6.35	.250

CONVERSION TABLE

**METRIC**

THIS DRAWING IS A CONTROLLED DOCUMENT FOR AMP INCORPORATED. IT IS SUBJECT TO CHANGE AND THE CONTROLLING ENGINEERING ORGANIZATION SHOULD BE CONTACTED FOR THE LATEST REVISION.

DO NOT SCALE PRINT. UNLESS SPECIFIED DIMENSIONS IN mm (INCHES) TOLERANCES ON: 2 PLC DEC ± 0.13 3 PLC DEC ± - ANGLES ± 1°0'	DR 7-24-92 K. WHITAKER CHK 7-24-92 R. SWING APPD 7-27-92 D. SELF APPD 7-27-92 D. SELF
MATERIAL NYLON, UL 94V-2	PRODUCT SPEC -
FINISH -	APPLICATION SPEC -
WEIGHT -	

RED	1-480699-2
NATURAL	1-480699-0
COLOR	PART NO

<b>AMP</b> AMP Incorporated Harrisburg, PA 17105-3608	
NAME CAP, 2 CIRCUIT, UNIVERSAL MATE-N-LOK™	
SIZE D	CAGE CODE 00779
DRAWING NO C-480699	SHEET 1 OF 1