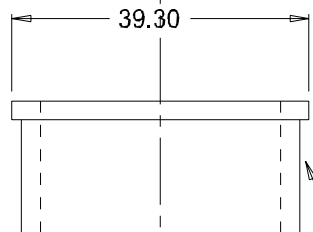
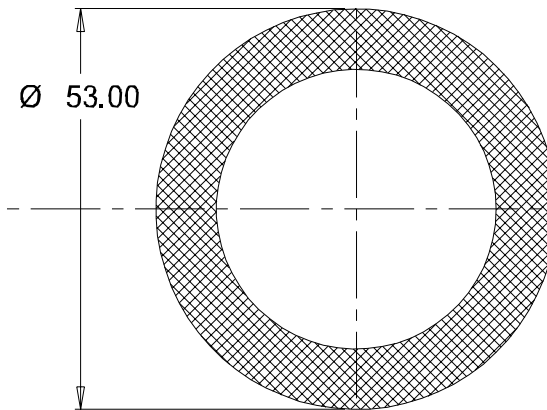
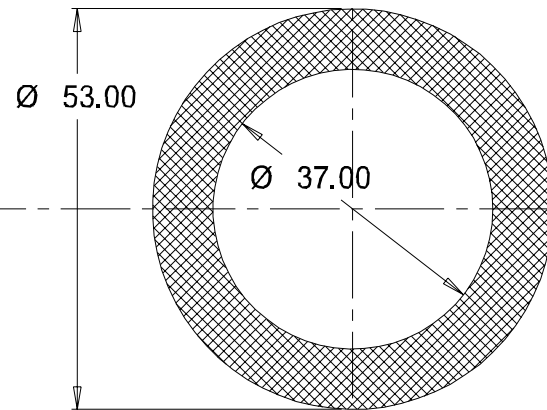
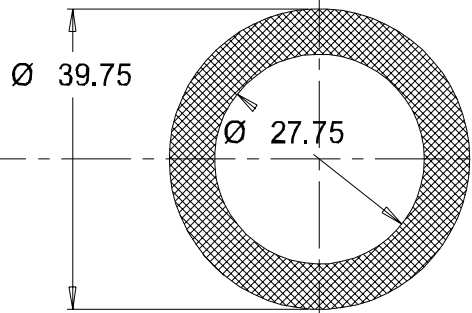
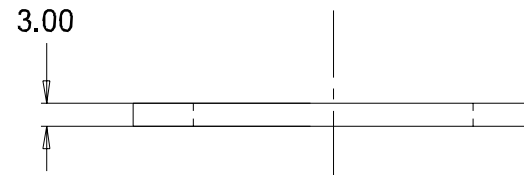
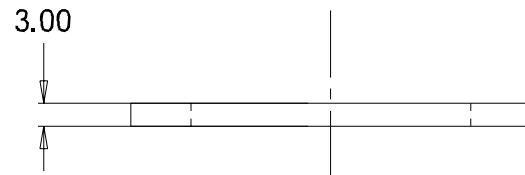
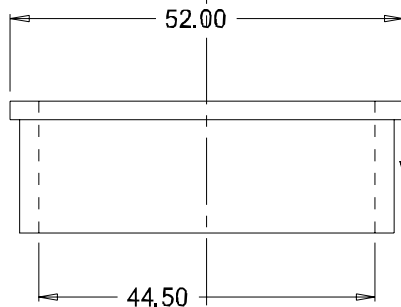


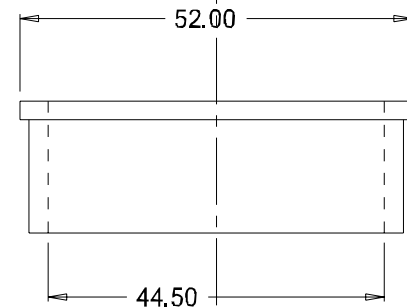
CASA Part Numbers:
21-NIPH-Cap-Gasket-NE3



Plug Shell
Body outline



Plug Shell
Body outline



Plug Shell
Body outline

MATERIAL	Neoprene
	2-3mm Thick
ALLOY	Neoprene
EST. AREA	265 mm
EST. WEIGHT	2.80 kg/m
EST. PERIPHERY	
EXT:	354 mm
TOT:	354 mm
TOLERANCE	
	0..00mm ±0.1mm
	00..0mm ±0.25mm
	0000mm ±0.5mm
	0-600mm ±0.1mm
	> 600mm ±0.5mm
	BS1474:1987
	APPLIES UNLESS OTHERWISE SPECIFIED
JOB No.	3000

	CUSTOMER :	CASA Modular Systems	SIZE	DRAWING Reference No.	ISSUE
	DESCRIPTION :	Gasket for Niphan Caps	A4	NIPHAN-Caps	A
P.O. BOX 38-828, WELLINGTON, NEW ZEALAND TELEPHONE : (64-4) 5687 277 FACSIMILE : (64-4)	DRAWN :	DATE :	APPROVED :	DWG. SCALE :	© COPYRIGHT : CASA Modular Systems ALL RIGHTS RESERVED
	A.W.D	14/11/15	?	1:1	