

BEAU PLUG – SOCKET



How to Order

PX00



Series

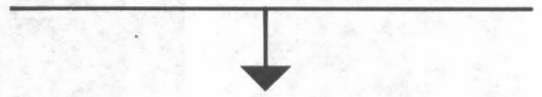
- PX00** Standard Plug or Socket
- PG *** With Pre-grounding pins
- * Check with Sales Department before ordering.

00/P or S¹ Bracket or Cover (Flex Mounting)



No. Poles

02-33



Bracket

- AB** Angle Bracket.
- ABT** Angle Bracket Tapped.
- DB** Deep Bracket.
- EB** End Bracket.
- EBT** End Bracket Tapped.
- FP** Flat Plate.
- LAB** Less Angle Bracket.
- RP** Recessed Plate.
- SB** Shallow Bracket.
- SCC** Snap C-Clip.

Covers (Cable Mounting)

- BBS** Blank Back Shell.
- CCE** Cable Clamp End.
- CCT** Cable Clamp Top.
- FHE** Flared Hole End.
- FHT** Flared Hole Top.

EXAMPLE

PX3302/P/CCT Plug to mate with socket **PX3302/S/AB** = 2 Pole flex plug with cable clamp top and mating socket with angle bracket.

N.B.

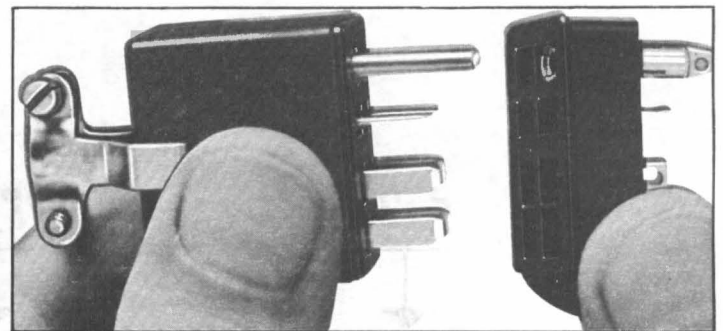
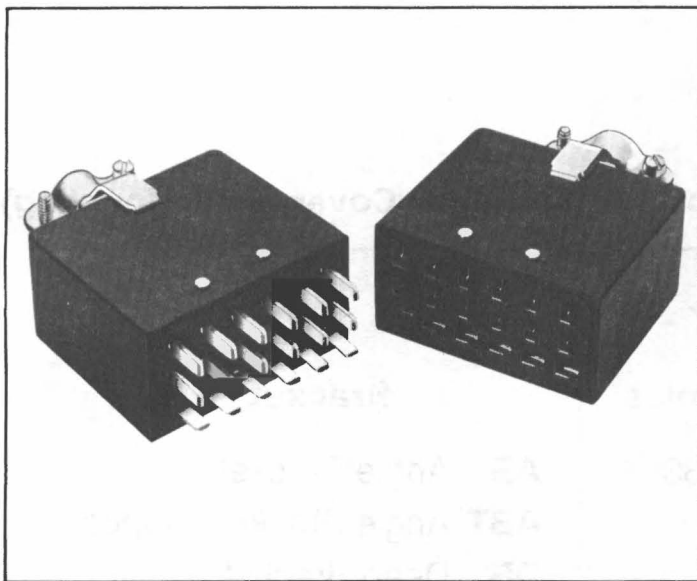
For accessories such as Panel Lock Studs, Latch & Keeper etc., please contact our Sales Department.

¹/P = Plug /S = Socket



BEAU PLUG — SOCKET

10 Amps/Series 3300

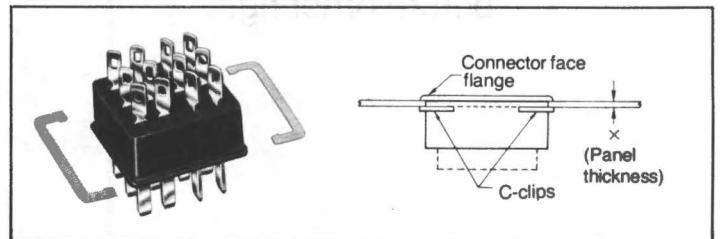


Pre-grounding connectors for greater safety

Vernitron gives you the greater safety of U.L. recognized, CSA certified pre-grounding plug and socket connectors. The extra long grounding contact engages before any other active contacts are mated.

With the longer pre-grounding contact, you will never have to cut any contacts to a shorter length to achieve a safer connection. No more costly, time-consuming hand cutting operations — and you attain the lowest installed cost.

The pre-grounding connectors are available in a large variety of styles — for chassis and cable mounting, with various types of mounting hardware, locking devices, etc. For sizes and dimensions, see pages 63-67.



C-clips for fast panel mounting

SCC C-clips. These exclusive C-clips make it possible to mount Beau connectors in 1/4th the time normally required. No holes to drill. No screws, bolts or rivets to fasten. Just slide on a pair of C-clips and the connector is secure. The clips seat into a groove and grip the body of the connector, parallel to the molded face flange.

Panel thickness (dimension X) must be specified by the customer in thousandths of an inch (or mm) when ordering.

Available in 3302 through 3312 (2 to 12 contacts). For sizes and dimensions, see pages 65-66.

SCC Tools. Hand tools for inserting C-clips. Makes job even quicker. Available in three sizes: SCC-1 for 3303 — SCC-2 for 3304-3310 — SCC-3 for 3312

For panel and cable mounting

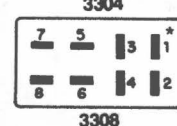
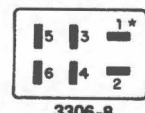
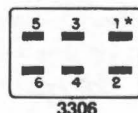
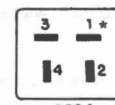
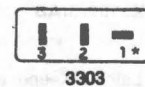
Beau 3300 connectors are completely interchangeable with "Series 300 type" connectors. They are designed for panel and cable mounting using a wide variety of hardware.

Electrical rating: Individual contacts are rated at 10 amps, 750 volts rms. Current rating and voltage in excess of 250 volts ac or dc are rated according to applicable specifications for electrical equipment in which these connectors are used and with respect to operating temperatures.

Typical applications for 3300 connectors are office machines, communication equipment, security systems, machine controls, vending machines, medical equipment, amusement machines, test equipment, measuring instruments, data processing equipment, teaching machines, etc.

Contact orientation

The polarization arrangement numbers shown at right are for sockets, as viewed from the wiring side. Plug numbering is the opposite. A heavy-duty polarizing/ground contact is in position 14 for Nos. 3324, 3327, 3330 and in position 17 for No. 3333.



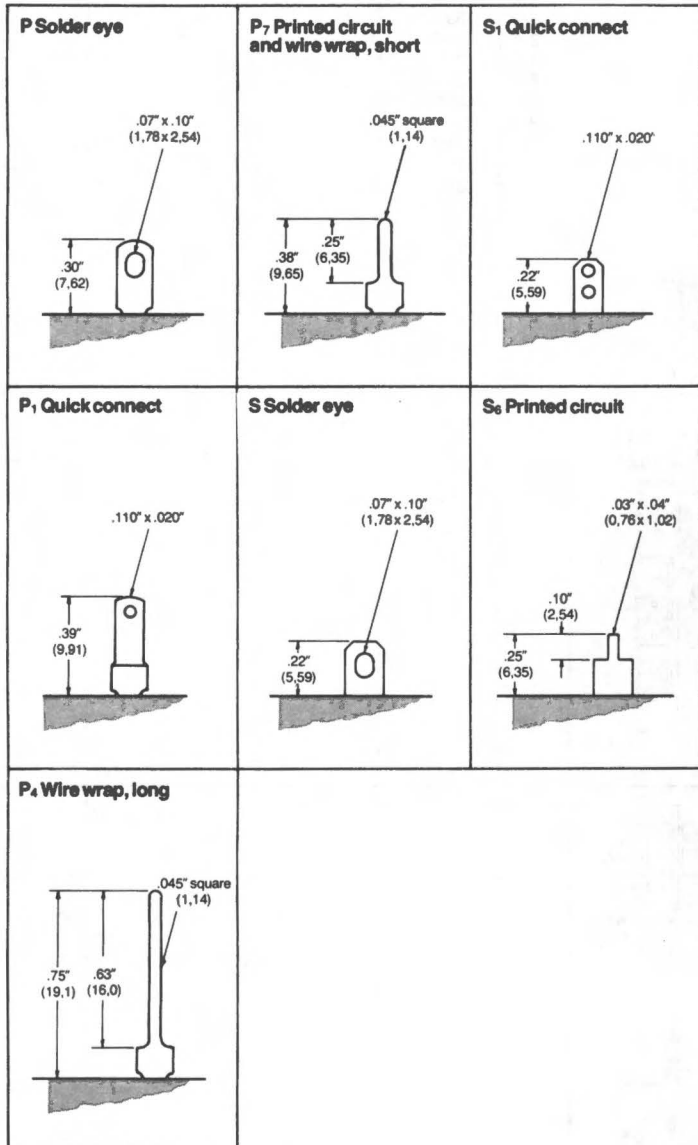
BEAU PLUG – SOCKET



10 Amps/Series 3300

Contact tails

Vermtron offers the widest selection of contact tails — all available off the shelf. To specify, add sub-number to catalog number; example: S₆ - 3312. For solder eye contact tails, no sub-number is needed.

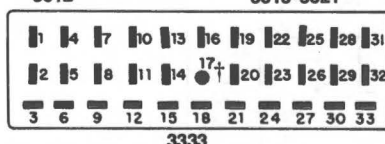
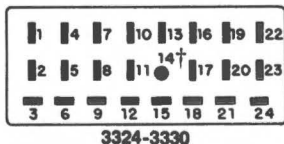
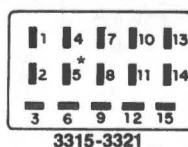
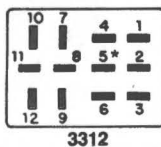
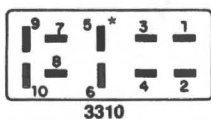


Figures in parenthesis are millimeters.

Specifications

Current rating, individual contacts	10 amps
Voltage rating, rms	750 volts; 250 volts (U.L. ▲)
Standards	U.L. recognized (File No. E34763) CSA certified (File No. 22156)
No. of contacts — Standard series	2 to 33
Pre-grounding	3 to 33 (incl grounding contact)
Plug contact material	Brass, cadmium plated
Plug contact dimensions (exposed contact surface)	.39" L x .14" W x .05" thick (9,9 x 3,6 x 1,3mm)
Socket contact	Phosphor bronze, cadmium plated. Double-wipe contact engages both sides of plug contacts
Pre-grounding contact rating	Up to 30 amps at rated voltages
Pre-grounding contact material	Heavy-duty plated brass
Contact plating options (add dash number to catalog number)	-03: .0003" (8μm) silver -04: .000015" (0,4μm) gold over .0002" (5μm) nickel -05: .00001" (0,3μm) rhodium over .0002" (5μm) nickel
Base insulating material	High-grade phenolic, black
Backshell materials	Thermoplastic (standard) Metal (option-M)
Backshell handles	Available for 3315 thru 3333 Consult factory
Hardware materials/finishes — Cable clamp, screws, latch and keeper, angle bracket, 63A lock	Steel, bright nickel electroplated
Deep and shallow bracket, flat plate, recessed plate and metal backshells	Steel, baked black wrinkle enamel finish over zinc chromate plating

▲U.L. rated at 250V, ac or dc, max between adjacent contacts. U.L. will consider higher voltages depending upon arrangement of live contacts and applicable requirements for equipment in which it is used.



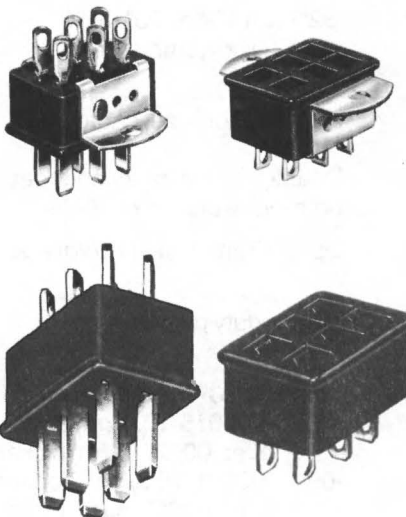
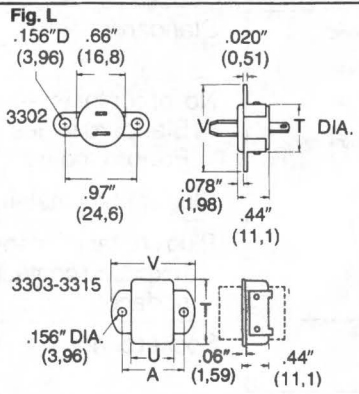
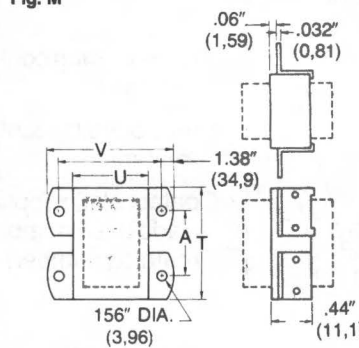
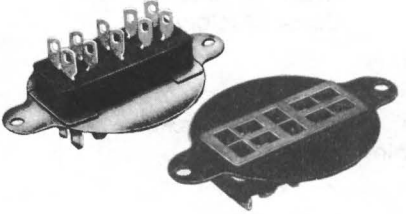
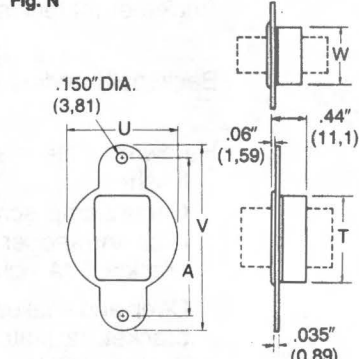
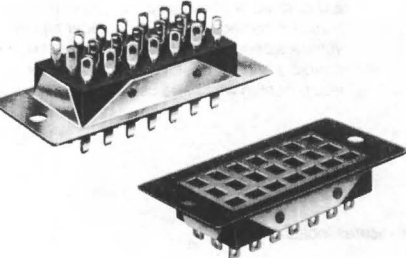
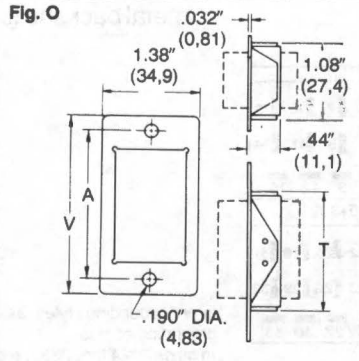
*In pre-grounding styles, asterisk indicates location of pre-grounding contact.
 †In sizes 3324 thru 3333, pre-grounding contact is standard



BEAU PLUG — SOCKET

10 Amps/Series 3300

Panel mounting styles

Mounting hardware	Connector dimension drawings Dimensions: inches (mm)	No. of Contacts	Cat. No. Plug (P-), Socket (S-), Pre-grounding (PG- and SG-)	Connector dimensions									
				T		U		V		W			
				in.	mm	in.	mm	in.	mm	in.	mm		
AB Angle Bracket▲ ABT Angle Bracket Tapped (6-32△) LAB Less Angle Bracket 	Fig. L .156" DIA. (3,96) .66" (16,8)  .020" (0,51) V DIA. .97" (24,6) .078" (1,98) .44" (11,1) .156" DIA. (3,96) U .06" (1,59) .44" (11,1) A	2	3302*	.66	16,7	—	—	1.27	32,1	—	—		
		3	3303	1.00	25,4	.44	11,1	1.06	27,0	—	—		
		4	3304	.75	19,1	.69	17,5	1.31	33,3	—	—		
		6	3306	1.00	25,4	.69	17,5	1.31	33,3	—	—		
		6	3306-8	1.00	25,4	.69	17,5	1.31	33,3	—	—		
		8	3308	1.25	31,8	.69	17,5	1.31	33,3	—	—		
		10	3310	1.56	39,7	.69	17,5	1.31	33,3	—	—		
		12	3312	1.25	31,8	.94	23,8	1.56	39,7	—	—		
		15	3315	1.63	41,3	1.00	25,4	1.69	42,9	—	—		
			Fig. M .06" (1,59) .032" (0,81)  V U 1.38" (34,9) A 156" DIA. (3,96) .44" (11,1)	18	3318	1.94	49,2	1.00	25,4	1.69	42,9	—	—
				21	3321	2.25	57,2	1.00	25,4	1.69	42,9	—	—
				24	3324	2.56	65,1	1.00	25,4	1.69	42,9	—	—
				27	3327	2.88	73,0	1.00	25,4	1.69	42,9	—	—
				30	3330	3.19	81,0	1.00	25,4	1.69	42,9	—	—
				33	3333	3.50	88,9	1.00	25,4	1.69	42,9	—	—
FP Flat Plate 	Fig. N .150" DIA. (3,81)  U V A .06" (1,59) .44" (11,1) .035" (0,89)	2		3302*	.59D	15,1	1.25	31,8	2.00	50,8	—	—	
		3	3303	.94	23,8	1.25	31,8	2.00	50,8	.38	9,53		
		4	3304	.69	17,5	1.25	31,8	2.00	50,8	.63	15,9		
		6	3306	.94	23,8	1.25	31,8	2.00	50,8	.63	15,9		
		6	3306-8	.94	23,8	1.25	31,8	2.00	50,8	.63	15,9		
		8	3308	1.19	30,2	1.75	44,5	2.50	63,5	.63	15,9		
		10	3310	1.50	38,1	1.75	44,5	2.50	63,5	.63	15,9		
		12	3312	1.19	30,2	1.75	44,5	2.50	63,5	.88	22,2		
		SB Shallow Bracket 	Fig. O .032" (0,81)  1.38" (34,9) 1.08" (27,4) V A .190" DIA. (4,83) .44" (11,1) T	15	3315	1.69	42,9	—	—	2.55	64,7	—	—
				18	3318	2.00	50,8	—	—	2.86	72,6	—	—
				21	3321	2.31	58,7	—	—	3.17	80,6	—	—
				24	3324	2.63	66,7	—	—	3.48	88,5	—	—
27	3327			2.94	74,6	—	—	3.80	96,4	—	—		
30	3330			3.25	82,6	—	—	4.11	104	—	—		
33	3333			3.56	90,5	—	—	4.42	112	—	—		

▲Also available in Angle Bracket Reversed (ABR). Consult factory. *Not available in pre-grounding type. △3302-ABT is tapped 5-40.

BEAU PLUG – SOCKET

10 Amps/Series 3300



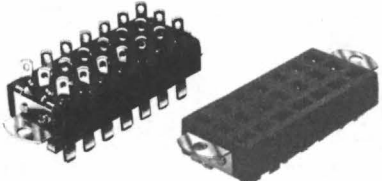
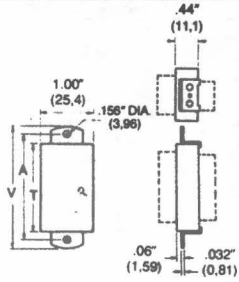
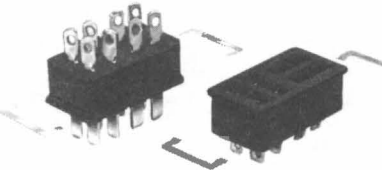
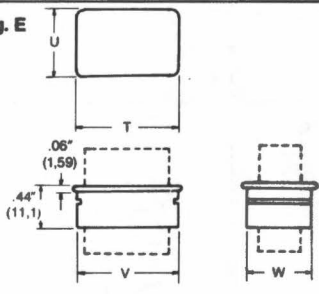
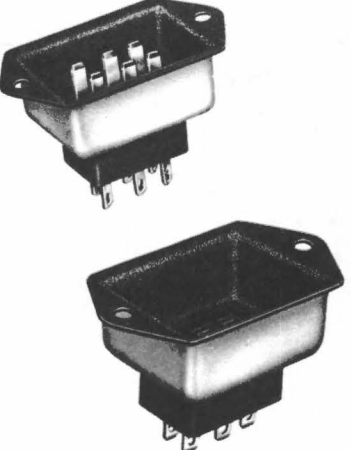
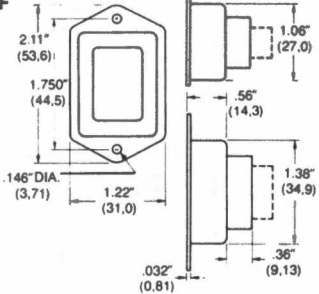
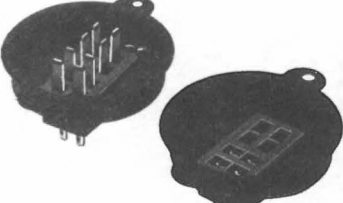
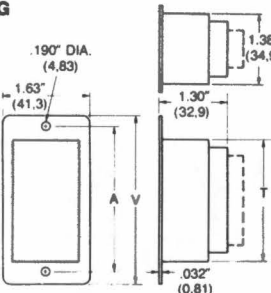
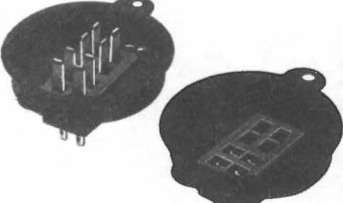
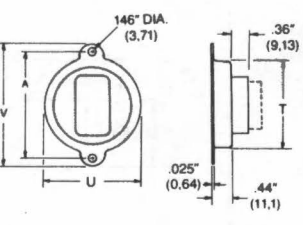
Polarizing Pin No.	Panel mounting dimensions (suggested)				Cat. No. Plug (P-), Socket (S-), Pre-grounding (PG- and SG-)	Panel dimension drawings (suggested) Dimensions: inches (mm)
	Fig. No.	A in. mm	B in. mm	C in. mm		
1	D	.969 24,6	— —	— —	3302*	<p>Fig. D</p> <p>Fig. E</p> <p>Fig. F</p>
—	E	.750 19,1	1.016 25,8	.453 11,5	3303	
—	F	1.000 25,4	.781 19,8	.719 18,3	3304	
—	E	1.000 25,4	1.031 26,2	.719 18,3	3306	
—	E	1.000 25,4	1.031 26,2	.719 18,3	3306-8	
—	F	1.000 25,4	1.281 32,5	.719 18,3	3308	
—	F	1.000 25,4	1.578 40,1	.719 18,3	3310	
—	F	1.250 31,8	1.266 32,2	.953 24,2	3312	
—	F	1.375 34,9	1.640 41,7	1.016 25,8	3315	
—	G	1.250 31,8	1.953 49,6	— —	3318	
—	G	.938 23,8	2.265 57,5	— —	3321	
14	G	1.250 31,8	2.578 65,5	— —	3324	
14	G	1.562 39,7	2.890 73,4	— —	3327	
14	G	1.875 47,6	3.203 81,4	— —	3330	
17	G	2.188 55,6	3.515 89,3	— —	3333	
—	H	— —	— —	— —	3302*	<p>Fig. H</p> <p>Fig. J</p>
—	J	1.750 44,5	.516 13,1	.953 24,2	3303	
—	J	1.750 44,5	.703 17,9	.766 19,5	3304	
—	J	1.750 44,5	.766 19,5	.953 24,2	3306	
—	J	1.750 44,5	.766 19,5	.953 24,2	3306-8	
—	J	2.250 57,2	.766 19,5	1.203 30,6	3308	
—	J	2.250 57,2	.766 19,5	1.516 38,5	3310	
—	J	2.250 57,2	1.063 27,0	1.203 30,6	3312	
—	K	2.125 54,0	1.156 29,4	1.750 44,5	3315	<p>Fig. K</p>
—	K	2.437 61,9	1.156 29,4	2.062 52,4	3318	
—	K	2.750 69,9	1.156 29,4	2.375 60,3	3321	
14	K	3.062 77,8	1.156 29,4	2.687 68,2	3324	
14	K	3.375 85,7	1.156 29,4	3.000 76,2	3327	
14	K	3.687 93,6	1.156 29,4	3.312 84,1	3330	
17	K	4.000 102	1.156 29,4	3.625 92,1	3333	



BEAU PLUG – SOCKET

10 Amps/Series 3300

Panel mounting styles

Mounting hardware	Connector dimension drawings Dimensions: inches (mm)	No. of Contacts	Cat. No. Plug (P-), Socket (S-), Pre-grounding (PG- and SG-)	Connector dimensions								
				T		U		V		W		
				in.	mm	in.	mm	in.	mm	in.	mm	
EB End Bracket EBT End Bracket Tapped (6-32) 	Fig. D 	15	3315	1.63	41,3	—	—	2.31	58,7	—	—	
		18	3318	1.94	49,2	—	—	2.63	66,7	—	—	
		21	3321	2.25	57,2	—	—	2.94	74,6	—	—	
		24	3324	2.56	65,1	—	—	3.25	82,6	—	—	
		27	3327	2.88	73,0	—	—	3.56	90,5	—	—	
		30	3330	3.19	81,0	—	—	3.88	98,4	—	—	
		33	3333	3.50	88,9	—	—	4.19	106	—	—	
SCC Snap C-Clip  <p>Specify panel thickness when ordering.</p>	Fig. E 	2	3302*	.66D	16,7	—	—	.59D	15,1	—	—	
		3	3303	1.00	25,4	.44	11,1	.94	23,8	.38	9,53	
		4	3304	.75	19,1	.69	17,5	.69	17,5	.63	15,9	
		6	3306	1.00	25,4	.69	17,5	.94	23,8	.63	15,9	
		6	3306-8	1.00	25,4	.69	17,5	.94	23,8	.63	15,9	
		8	3308	1.25	31,8	.69	17,5	1.19	30,2	.63	15,9	
		12	3312	1.56	39,7	.69	17,5	1.50	38,1	.63	15,9	
DB Deep Bracket 	Fig. F 	2	3302*	—	—	—	—	—	—	—	—	
		3	3303 Δ	—	—	—	—	—	—	—	—	—
		4	3304 Δ	—	—	—	—	—	—	—	—	—
		6	3306	—	—	—	—	—	—	—	—	—
		6	3306-8	—	—	—	—	—	—	—	—	—
		8	3308	—	—	—	—	—	—	—	—	—
		12	3312	—	—	—	—	—	—	—	—	—
RP Recessed Plate 	Fig. G 	15	3315	2.00	50,8	—	—	2.81	71,4	—	—	
		18	3318	2.31	58,7	—	—	3.13	79,4	—	—	
		21	3321	2.63	66,7	—	—	3.44	87,3	—	—	
		24	3324	2.94	74,6	—	—	3.75	95,3	—	—	
		27	3327	3.25	82,6	—	—	4.06	103	—	—	
		30	3330	3.56	90,5	—	—	4.38	111	—	—	
		33	3333	3.88	98,4	—	—	4.69	119	—	—	
RP Recessed Plate 	Fig. H 	2	3302*	1.03D	26,2	1.50D	38,1	2.06	52,4	—	—	
		3	3303 Δ	1.03D	26,2	1.50D	38,1	2.06	52,4	—	—	
		4	3304 Δ	1.03D	26,2	1.50D	38,1	2.06	52,4	—	—	
		6	3306	1.03D	26,2	1.50D	38,1	2.06	52,4	—	—	
		6	3306-8	1.03D	26,2	1.50D	38,1	2.06	52,4	—	—	
		8	3308	1.81D	46,0	2.00D	50,8	2.56	65,1	—	—	
		12	3312	1.81D	46,0	2.00D	50,8	2.56	65,1	—	—	

*Not available in pre-grounding type. Δ Plug not available in pre-grounding type.

BEAU PLUG – SOCKET

10 Amps/Series 3300



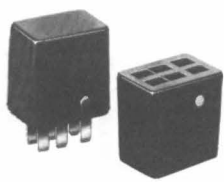
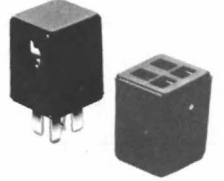
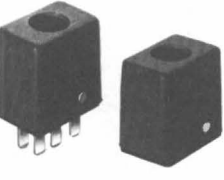
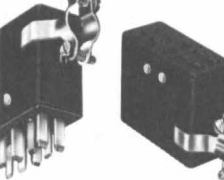
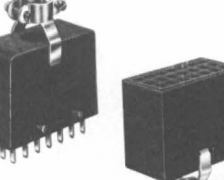
Polarizing Pin No.	Panel mounting dimensions (suggested)				Cat. No. Plug (P-), Socket (S-), Pre-grounding (PG- and SG-)	Panel dimension drawings (suggested)
	Fig. No.	A in. mm	B in. mm	C in. mm		
—	L	2.000 50,8	— —	1.641 41,7	3315 3318 3321 3324 3327 3330 3333	Fig. L
—	L	2.313 58,8	— —	1.953 49,6		
—	L	2.625 66,7	— —	2.266 57,6		
14	L	2.938 74,6	— —	2.578 65,5		
14	L	3.250 82,6	— —	2.891 73,4		
14	L	3.563 90,5	— —	3.203 81,4		
17	L	3.875 98,4	— —	3.516 89,3		
—	M	— —	— —	— —	3302* 3303 3304 3306 3306-8 3308 3310 3312	Fig. M Fig. N
—	N	— —	.385 9,78	.950 24,1		
—	N	— —	.635 16,1	.698 17,7		
—	N	— —	.635 16,1	.950 24,1		
—	N	— —	.635 16,1	.950 24,1		
—	N	— —	.635 16,1	1.198 30,4		
—	N	— —	.635 16,1	1.510 38,4		
—	N	— —	.885 22,5	1.198 30,4		
—	P	— —	— —	— —	3302* 3303 3304 3306 3306-8 3308 3312	Fig. P
—	P	— —	— —	— —		
—	P	— —	— —	— —		
—	P	— —	— —	— —		
—	P	— —	— —	— —		
—	P	— —	— —	— —		
—	P	— —	— —	— —		
—	Q	2.375 60,3	— —	2.000 50,8	3315 3318 3321 3324 3327 3330 3333	Fig. Q
—	Q	2.687 68,2	— —	2.312 58,7		
—	Q	3.000 76,2	— —	2.625 66,7		
14	Q	3.312 84,1	— —	2.937 74,6		
14	Q	3.625 92,1	— —	3.250 82,6		
14	Q	3.937 100	— —	3.562 90,5		
17	Q	4.250 108	— —	3.875 98,4		
—	R	1.750 44,5	1.360 34,5	— —	3302* 3303 3304 3306 3306-8 3308 3312	Fig. R
—	R	1.750 44,5	1.360 34,5	— —		
—	R	1.750 44,5	1.360 34,5	— —		
—	R	1.750 44,5	1.360 34,5	— —		
—	R	1.750 44,5	1.360 34,5	— —		
—	R	2.250 57,2	1.860 47,2	— —		
—	R	2.250 57,2	1.860 47,2	— —		



BEAU PLUG – SOCKET

10 Amps/Series 3300

Cable mounting styles

Mounting hardware	No. of Contacts	Cat. No. — Plug (P-), Socket (S-), Pre-grounding (PG- and SG-)	Connector dimensions					Connector dimension drawings				
			D [†]		T		U		W		X	
			in.	mm	in.	mm	in.	mm	in.	mm	in.	mm
BBS Blank Back Shell 	2	3302*	—	—	.66D	16,7D	—	—	.97	24,6	—	—
	3	3303▲	—	—	1.00	25,4	.44	11,1	.97	24,6	—	—
	4	3304▲	—	—	.75	19,1	.69	17,5	.97	24,6	—	—
	6	3306	—	—	1.00	25,4	.69	17,5	1.06	27,0	—	—
	6	3306-8	—	—	1.00	25,4	.69	17,5	1.06	27,0	—	—
	8	3308	—	—	1.25	31,8	.69	17,5	1.06	27,0	—	—
	10	3310	—	—	1.56	39,7	.69	17,5	1.19	30,2	—	—
	12	3312	—	—	1.25	31,8	.94	23,8	1.19	30,2	—	—
	15	3315	—	—	1.78	45,2	1.16	29,4	1.75	44,5	—	—
	18	3318	—	—	2.08	52,8	1.16	29,4	1.75	44,5	—	—
	21	3321	—	—	2.34	59,5	1.16	29,4	1.75	44,5	—	—
	24	3324	—	—	2.78	70,6	1.16	29,4	1.75	44,5	—	—
	27	3327	—	—	3.00	76,2	1.16	29,4	1.75	44,5	—	—
30	3330	—	—	3.34	84,9	1.16	29,4	1.75	44,5	—	—	
33	3333	—	—	3.66	92,9	1.16	29,4	1.75	44,5	—	—	
FHE Flared Hole End 	3	3303▲	.31	7,9	1.00	25,4	.44	11,1	.97	24,6	—	—
	4	3304▲	.38	9,5	.75	19,1	.69	17,5	.97	24,6	—	—
	6	3306	.44	11,1	1.00	25,4	.69	17,5	1.06	27,0	—	—
	6	3306-8	.44	11,1	1.00	25,4	.69	17,5	1.06	27,0	—	—
	8	3308	.50	12,7	1.25	31,8	.69	17,5	1.06	27,0	—	—
	10	3310	.50	12,7	1.56	39,7	.69	17,5	1.19	30,2	—	—
	12	3312	.56	14,3	1.25	31,8	.94	23,8	1.19	30,2	—	—
	15	3315	.56	14,3	1.78	45,2	1.16	29,4	1.75	44,5	—	—
	18	3318	.56	14,3	2.08	52,8	1.16	29,4	1.75	44,5	—	—
	21	3321	.63	15,9	2.34	59,5	1.16	29,4	1.75	44,5	—	—
	24	3324	.63	15,9	2.78	70,6	1.16	29,4	1.75	44,5	—	—
	27	3327	.63	15,9	3.00	76,2	1.16	29,4	1.75	44,5	—	—
	30	3330	.75	19,0	3.34	84,9	1.16	29,4	1.75	44,5	—	—
33	3333	.75	19,0	3.66	92,9	1.16	29,4	1.75	44,5	—	—	
FHT Flared Hole Top 	2	3302*	.38	9,5	.66D	16,7D	—	—	.97	24,6	—	—
	3	3303▲	.31	7,9	1.00	25,4	.44	11,1	.97	24,6	—	—
	4	3304▲	.38	9,5	.75	19,1	.69	17,5	.97	24,6	—	—
	6	3306	.44	11,1	1.00	25,4	.69	17,5	1.06	27,0	—	—
	6	3306-8	.44	11,1	1.00	25,4	.69	17,5	1.06	27,0	—	—
	8	3308	.50	12,7	1.25	31,8	.69	17,5	1.06	27,0	—	—
	10	3310	.50	12,7	1.56	39,7	.69	17,5	1.19	30,2	—	—
	12	3312	.56	14,3	1.25	31,8	.94	23,8	1.19	30,2	—	—
	15	3315	.56	14,3	1.78	45,2	1.16	29,4	1.75	44,5	—	—
	18	3318	.56	14,3	2.08	52,8	1.16	29,4	1.75	44,5	—	—
	21	3321	.63	15,9	2.34	59,5	1.16	29,4	1.75	44,5	—	—
	24	3324	.63	15,9	2.78	70,6	1.16	29,4	1.75	44,5	—	—
	27	3327	.63	15,9	3.00	76,2	1.16	29,4	1.75	44,5	—	—
30	3330	.75	19,0	3.34	84,9	1.16	29,4	1.75	44,5	—	—	
33	3333	.75	19,0	3.66	92,9	1.16	29,4	1.75	44,5	—	—	
CCE Cable Clamp End 	3	3303▲	.31	7,9	1.00	25,4	.44	11,1	.97	24,6	.50	12,7
	4	3304▲	.38	9,5	.75	19,1	.69	17,5	.97	24,6	.50	12,7
	6	3306	.44	11,1	1.00	25,4	.69	17,5	1.06	27,0	.50	12,7
	6	3306-8	.44	11,1	1.00	25,4	.69	17,5	1.06	27,0	.50	12,7
	8	3308	.50	12,7	1.25	31,8	.69	17,5	1.06	27,0	.50	12,7
	10	3310	.50	12,7	1.56	39,7	.69	17,5	1.19	30,2	.50	12,7
	12	3312	.56	14,3	1.25	31,8	.94	23,8	1.19	30,2	.50	12,7
	15	3315	.56	14,3	1.78	45,2	1.16	29,4	1.75	44,5	.75	19,1
	18	3318	.56	14,3	2.08	52,8	1.16	29,4	1.75	44,5	.75	19,1
	21	3321	.63	15,9	2.34	59,5	1.16	29,4	1.75	44,5	.75	19,1
	24	3324	.63	15,9	2.78	70,6	1.16	29,4	1.75	44,5	.75	19,1
	27	3327	.63	15,9	3.00	76,2	1.16	29,4	1.75	44,5	.75	19,1
	30	3330	.75	19,0	3.34	84,9	1.16	29,4	1.75	44,5	.75	19,1
33	3333	.75	19,0	3.66	92,9	1.16	29,4	1.75	44,5	.75	19,1	
CCT Cable Clamp Top 	2	3302*	.38	9,5	.66D	16,7D	—	—	.97	24,6	.50	12,7
	3	3303▲	.31	7,9	1.00	25,4	.44	11,1	.97	24,6	.50	12,7
	4	3304▲	.38	9,5	.75	19,1	.69	17,5	.97	24,6	.50	12,7
	6	3306	.44	11,1	1.00	25,4	.69	17,5	1.06	27,0	.50	12,7
	6	3306-8	.44	11,1	1.00	25,4	.69	17,5	1.06	27,0	.50	12,7
	8	3308	.50	12,7	1.25	31,8	.69	17,5	1.06	27,0	.50	12,7
	10	3310	.50	12,7	1.56	39,7	.69	17,5	1.19	30,2	.50	12,7
	12	3312	.56	14,3	1.25	31,8	.94	23,8	1.19	30,2	.50	12,7
	15	3315	.56	14,3	1.78	45,2	1.16	29,4	1.75	44,5	.75	19,1
	18	3318	.56	14,3	2.08	52,8	1.16	29,4	1.75	44,5	.75	19,1
	21	3321	.63	15,9	2.34	59,5	1.16	29,4	1.75	44,5	.75	19,1
	24	3324	.63	15,9	2.78	70,6	1.16	29,4	1.75	44,5	.75	19,1
	27	3327	.63	15,9	3.00	76,2	1.16	29,4	1.75	44,5	.75	19,1
30	3330	.75	19,0	3.34	84,9	1.16	29,4	1.75	44,5	.75	19,1	
33	3333	.75	19,0	3.66	92,9	1.16	29,4	1.75	44,5	.75	19,1	

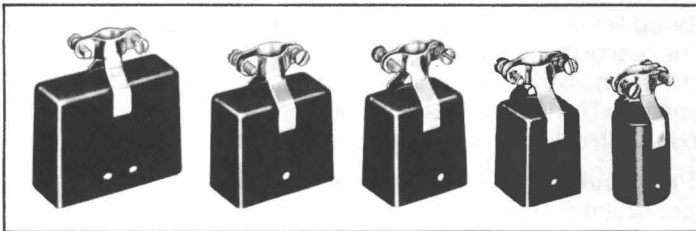
*Not available in pre-grounding type. ▲Socket not available in pre-grounding type. †For non-standard hole sizes, consult factory.

BEAU PLUG – SOCKET



10 Amps/Series 3300

Cable mounting hardware



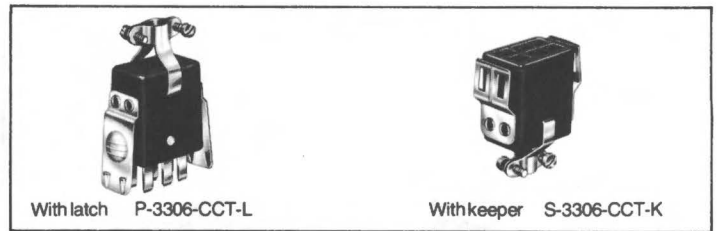
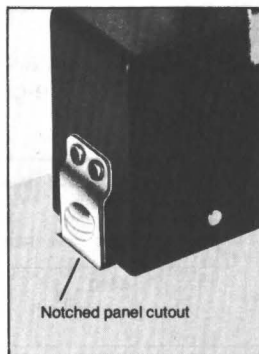
Backshells

Thermoplastic (standard). These molded thermoplastic backshells, exclusively from Vernitron, provide greater dielectric strength — and greater safety than metal backshells. They are also highly resilient, non-denting, non-rusting, acid resistant. U.L. recognized. CSA certified. Color, black.

Metal (option -M). Available upon request. Made of zinc plated steel, chromate dipped and painted with baked black wrinkle enamel finish. Furnished with molded vinyl or insulating paper liners. U.L. recognized. CSA certified.

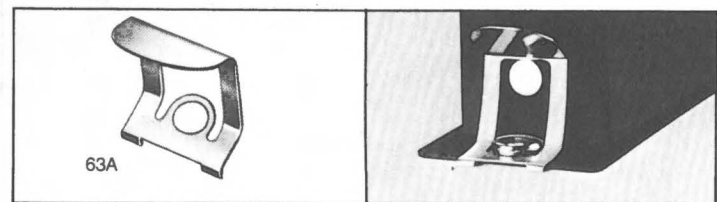
Panel latch (-L)

For locking a cable-mounted connector with latch to a panel-mounted connector. Used with AB angle bracket and ABT angle bracket tapped mounting hardware. The latch will engage chassis up to 1/16" thick, maximum. For latching thicker panels, consult factory. Connector sizes and panel mounting dimensions are shown in the table and drawings below. Both plug and socket can be equipped with a latch (-L).



Latch (-L) and Keeper (-K)

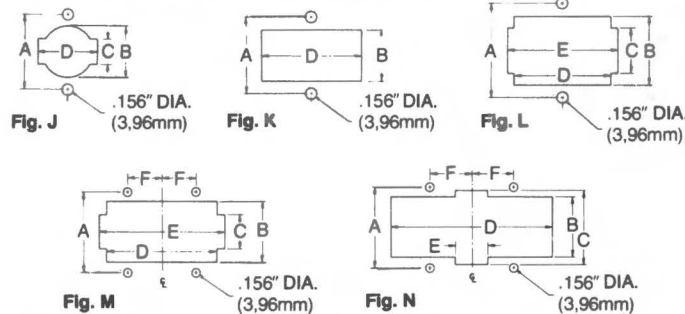
For connecting two cable-mounted connectors. Plug and socket can be equipped with either a latch (-L) or keeper (-K).



63A Panel lock and stud

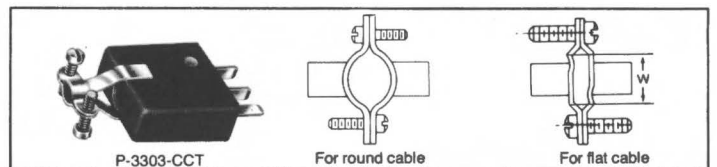
For locking a cable-mounted connector to a panel-mounted connector. In panel mounting applications, the 63A lock mounts with the same screw used to secure the bracket. The stud is built into the backshell; to order, add dash number to connector catalog number (three types available, see table below). Panel locks are ordered separately: Catalog No. 63A (also specify panel mounting style AB, SB or DB).

Mounting hardware	Connector sizes	Stud Cat. No.
AB Angle bracket	3303 thru 3312	-63A-AB
SB Shallow bracket	3315 thru 3333	-63A-SB
DB Deep bracket	3315 thru 3333	-63A-DB



Panel mounting dimensions (suggested)											
Connector Fig. size	No.	A in.	A mm	B in.	B mm	C in.	C mm	D in.	D mm	E in.	E mm
3302	J	.97	24,6	.67	17,0	.31	7,9	.80	20,3	—	—
3303	K ^A	.75	19,1	.45	11,4	—	—	1.14	29,0	—	—
3304	L	1.00	25,4	.72	18,3	.31	7,9	.78	19,8	.90	22,9
3306	K ^A	1.00	25,4	.72	18,3	—	—	1.16	29,5	—	—
3306-8	K ^A	1.00	25,4	.72	18,3	—	—	1.16	29,5	—	—
3308	K	1.00	25,4	.72	18,3	—	—	1.41	35,8	—	—
3310	K	1.00	25,4	.72	18,3	—	—	1.70	43,2	—	—
3312	L	1.25	31,8	.95	24,1	.63	16,0	1.27	32,3	1.44	36,6
3315	L	1.38	35,1	1.02	25,9	.63	16,0	1.64	41,7	1.94	49,3
3318	M	1.38	35,1	1.02	25,9	.63	16,0	1.95	49,5	2.25	57,2
3321	M	1.38	35,1	1.02	25,9	.63	16,0	2.27	57,7	2.56	65,0
3324	M	1.38	35,1	1.02	25,9	.63	16,0	2.58	65,5	2.88	73,2
3327	N	1.38	35,1	1.02	25,9	1.31	33,3	2.89	73,4	.63	16,0
3330	N	1.38	35,1	1.02	25,9	1.31	33,3	3.20	81,3	.63	16,0
3333	N	1.38	35,1	1.02	25,9	1.31	33,3	3.52	89,4	.63	16,0

^AMounting holes .03" (0,76mm) off center line.



Cable clamps

Strain relief cable clamps, used with round or flat cable. For top mounting (-CCT) or end mounting (-CCE).

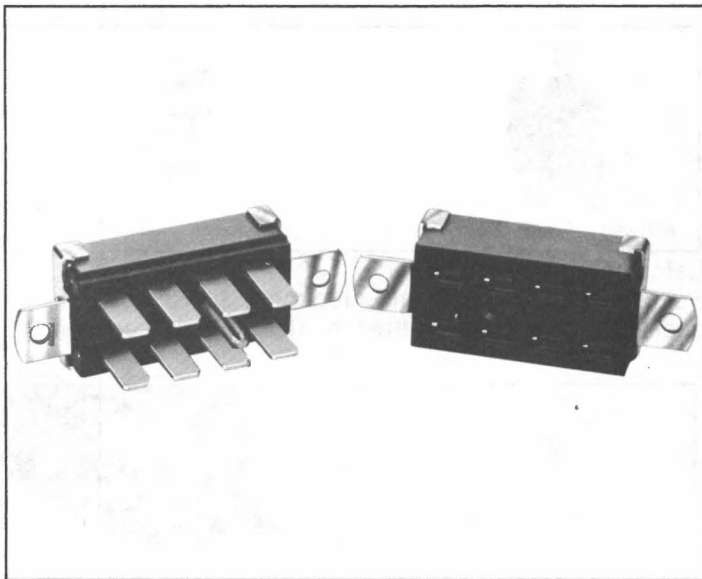
For connector size	Clamp opening, in. (mm)		Clamp Cat. No.	
	min	max		
STANDARD CLAMP SIZES — for round cable				
3302	.13" (3,3) DIA.	.38" (9,7) DIA.	34*	
3303	.13" (3,3) DIA.	.38" (9,7) DIA.	1234*	
3304 thru 3312	.22" (5,6) DIA.	.50" (12,7) DIA.	35*	
3315 thru 3318	.38" (9,7) DIA.	.72" (18,3) DIA.	36*	
3321 thru 3333	.38" (9,7) DIA.	.84" (21,3) DIA.	36A*	
CLAMP OPTIONS — for round cable				
3315 thru 3333	.45" (11,4) DIA.	.91" (23,1) DIA.	78	
3315 thru 3333	for CCE mating DB	.38" (9,7) DIA.	.72" (18,3) DIA.	47
CLAMP OPTIONS — for flat cable				
3302	.11" x .25"W (2,8 x 6,4)	.34" x .25"W (8,6 x 6,4)	17	
3303	.11" x .25"W (2,8 x 6,4)	.34" x .25"W (8,6 x 6,4)	98	
3304 thru 3310	.11" x .38"W (2,8 x 9,7)	.34" x .38"W (8,6 x 9,7)	2	
3312	.11" x .38"W (2,8 x 9,7)	.34" x .38"W (8,6 x 9,7)	59	

*Order number not required. This clamp size automatically furnished when ordering -CCT or -CCE.



BEAU PLUG – SOCKET

15 Amps/Series 4400



For mounting from rear of panel

Beau 4400 connectors may be prewired and installed from the rear of the chassis or panel. This is possible because there is no flange on the molded face. Beau 4400 units can be mated with all Beau 4400 and 5400 models, and are also compatible with "Series 2400 and 400 type" connectors.

Pre-grounding: The 4400 series is also available in the pre-grounding style. Consult factory for details.

Electrical rating: Individual contacts are rated at 15 amps, 1750 volts rms. Current rating and voltage in excess of 250 volts ac or dc are rated according to applicable specifications for electrical equipment in which these connectors are used and with respect to operating temperatures.

Typical applications for 4400 connectors are traffic control equipment, industrial machinery, heating and cooling equipment, signal systems, etc.

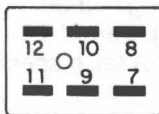
Contact orientation

The polarization arrangement numbers shown below are for sockets, as viewed from the wiring side. Plug numbering is

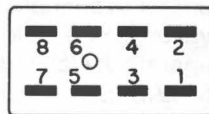
○ = polarizing position



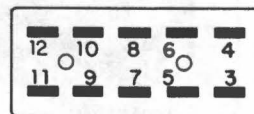
4404



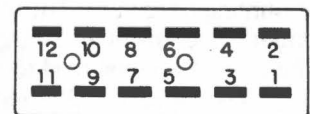
4406



4408



4410



4412

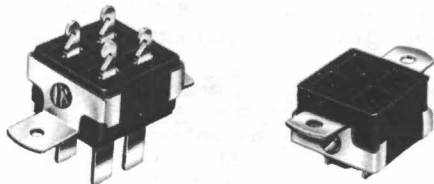
the opposite. Orientation of 4400 pre-grounding contacts is identical to 5400 pre-grounding connectors (see page 72).

Panel mounting styles

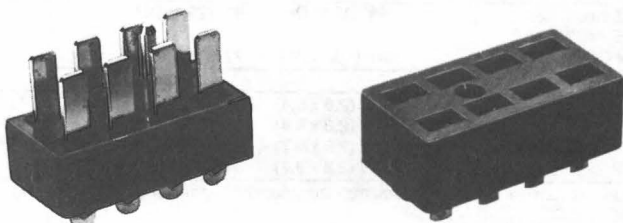
Mounting hardware

AB Angle Bracket

ABT Angle Bracket Tapped (6-32)

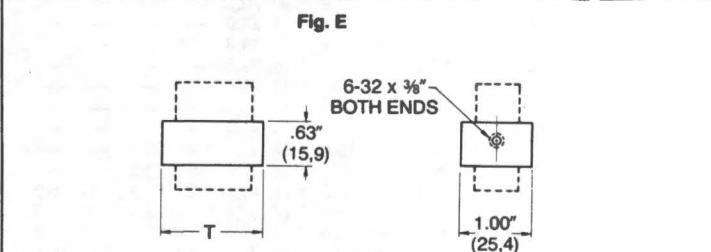
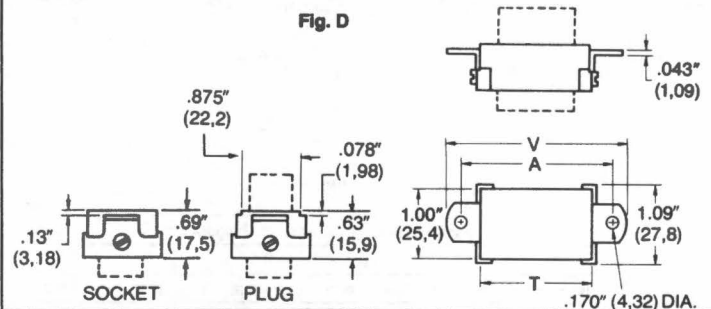


LAB Less Angle Bracket



Connector dimension drawings

Dimensions: inches (mm)



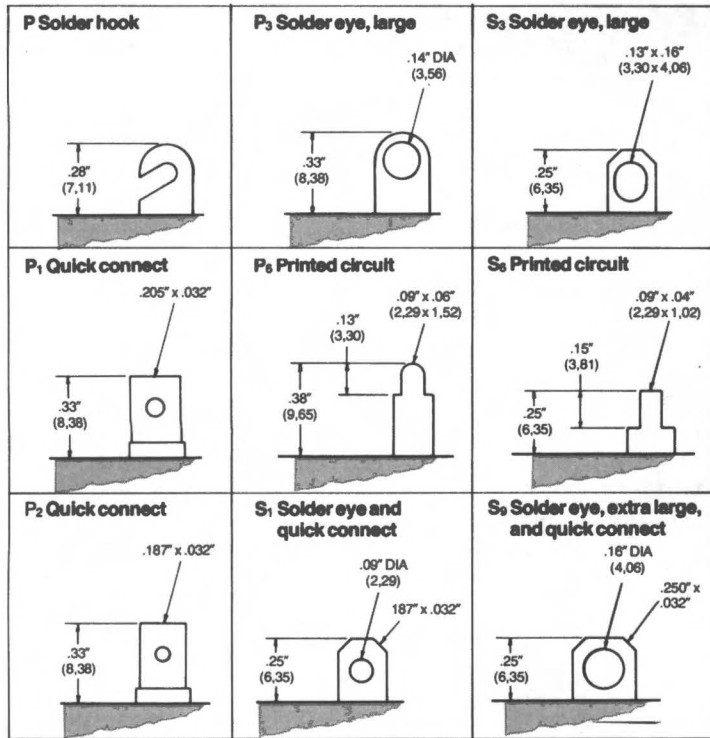
BEAU PLUG – SOCKET



15 Amps/Series 4400

Contact tails

Vernitron offers the widest selection of contact tails — all available off the shelf. To specify, add sub-number to catalog number; example: P₂-4404. For solder hook contact tails (plugs only), no sub-number is needed.

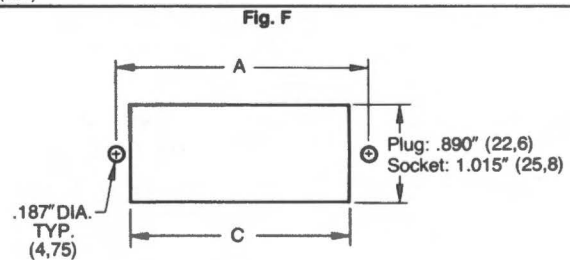


Figures in parenthesis are millimeters.

Specifications

Current rating, individual contacts	15 amps
Voltage rating, rms	1750 volts
No. of contacts	4 to 12; pre-grounding, 5 to 13
Plug contact material	Brass, cadmium plated
Plug contact dimensions (exposed contact surface)	.54" L x .25" W x .06" thick (13,7 x 6,4 x 1,5 mm)
Socket contact	Phosphor bronze, cadmium plated. Double-wipe contact engages both sides of plug contacts
Pre-grounding contact	Up to 30A at rated voltages; heavy-duty plated brass
Contact plating options (add dash number to catalog number)	-03: .0003" (8μm) silver -04: .000015" (0,4μm) gold over .0002" (5μm) nickel -05: .00001" (0,3μm) rhodium over .0002" (5μm) nickel
Base insulating material	High-grade phenolic, black
Angle bracket and screw material	Steel, bright nickel electroplated

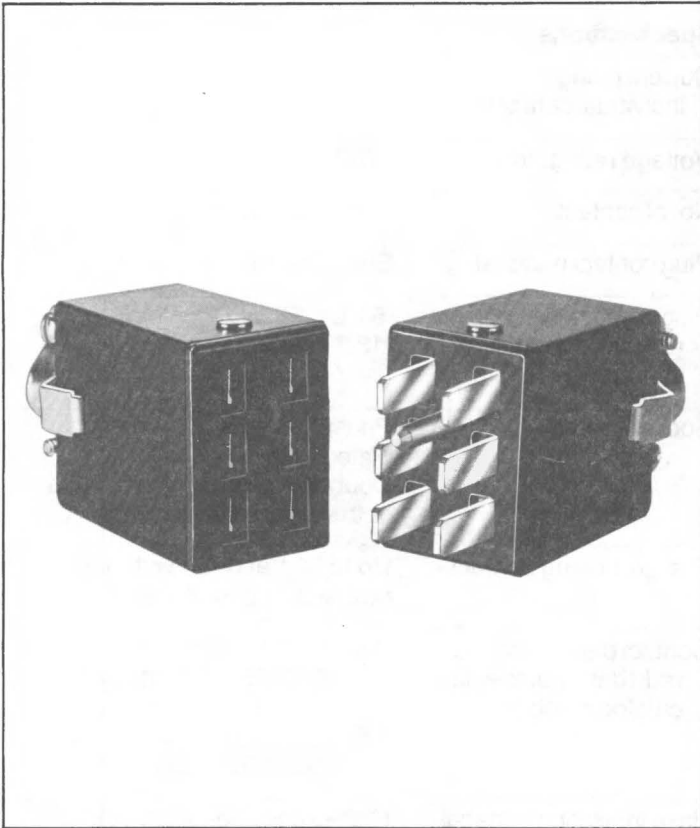
No. of Contacts	Cat. No. Plug (P-), Socket (S-)	Connector dimensions		Panel mounting dimensions (suggested)		Panel dimension drawings (suggested)			
		T in.	V mm	A in.	C mm	Dimensions: inches (mm)			
4	4404	1.00	25,4	2.06	52,4	1.625	41,3	1.015	25,8
6	4406	1.44	36,5	2.50	63,5	2.063	52,4	1.453	36,9
8	4408	1.88	47,6	2.94	74,6	2.500	63,5	1.891	48,0
10	4410	2.31	58,7	3.38	85,7	2.938	74,6	2.328	59,1
12	4412	2.75	69,9	3.81	96,8	3.375	85,7	2.766	70,3
4	4404	1.00	25,4	—	—	—	—	—	—
6	4406	1.44	36,5	—	—	—	—	—	—
8	4408	1.88	47,6	—	—	—	—	—	—
10	4410	2.31	58,7	—	—	—	—	—	—
12	4412	2.75	69,9	—	—	—	—	—	—





BEAU PLUG — SOCKET

15 Amps/Series 5400



For panel and cable mounting

Beau 5400 connectors are designed for use in panel and cable mounting applications. They can be mated with all Beau 4400 and 5400 models, and are also interchangeable with "Series 2400 or 400 type" connectors. The 5400 connectors have a flange molded into the base which neatly conceals the panel cutout.

Electrical rating: Individual contacts are rated at 15 amps, 1750 volts rms. Current rating and voltage in excess of 250 volts ac or dc are rated according to the applicable specifications for electrical equipment in which these connectors are used and with respect to operating temperatures.

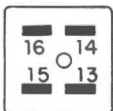
Typical applications for 5400 connectors are traffic control equipment, industrial machinery, heating and cooling equipment, signal systems, etc.

Contact orientation

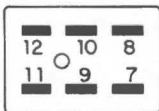
The polarization arrangement numbers shown below are for sockets, as viewed from the wiring side. Plug numbering is the opposite.

Standard connectors

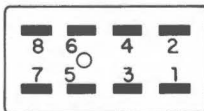
○ = polarizing position ● = polarizing position — current-carrying contacts



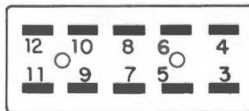
5404



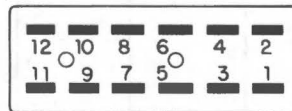
5406



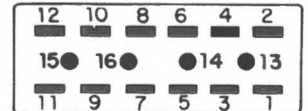
5408



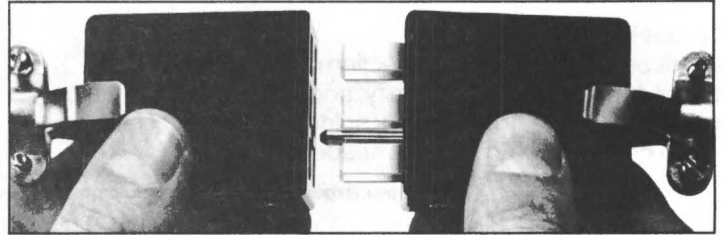
5410



5412



5414, 5415, 5416



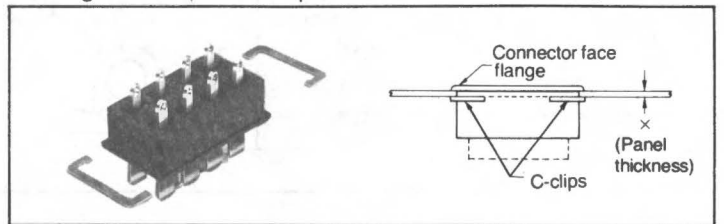
Pre-grounding connectors for greater safety

Vernitron gives you the greater safety of U.L. recognized, CSA certified pre-grounding plug and socket connectors. The extra long grounding contact engages before any other active contacts are mated.

With the longer pre-grounding contact, you will never have to cut any contacts to a shorter length to achieve a safer connection. No more costly, time-consuming hand cutting operations — and you attain the lowest installed cost.

The pre-grounding connectors are available in a large variety of styles — for chassis and cable mounting, with various types of mounting hardware, locking devices, etc. Compared to regular 5400 series connectors, the pre-grounding contact is an additional contact position, rather than taking the place of a standard contact. For sizes and dimensions, see pages 73-75.

To order pre-grounding connectors, add a "G" to the catalog number; for example: PG-5411-CCT or SG-5411-DB.



C-clips for fast panel mounting

SCC C-clips. These exclusive C-clips make it possible to mount Beau connectors in 1/4th the time normally required. No holes to drill. No screws, bolts or rivets to fasten. Just slide on a pair of C-clips and the connector is secure. The clips seat into a groove and grip the body of the connector, parallel to the molded face flange.

Panel thickness (dimension X) must be specified by the customer in thousandths of an inch (or mm) when ordering.

Available in 5404 through 5416 (4 to 16 contacts). For sizes and dimensions, see pages 73-74.

SCC-4 Tool. Hand tool for inserting C-clips. Makes job even quicker. One size tool handles 5404 through 5416 connectors.

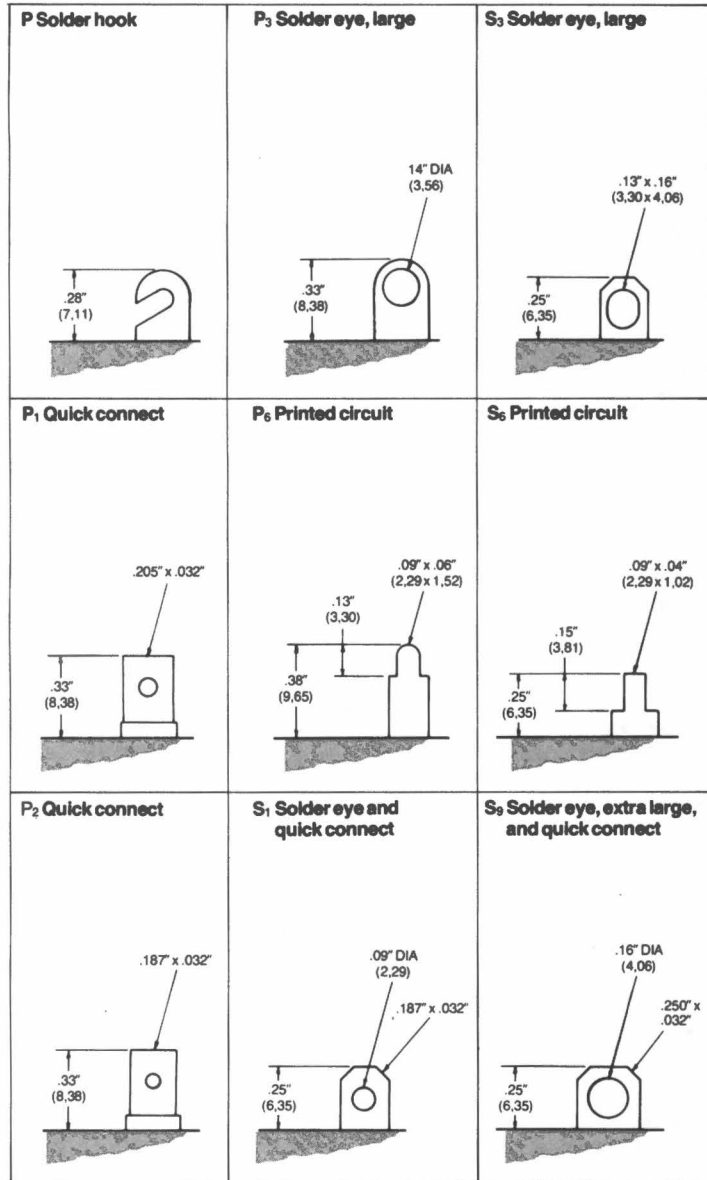
BEAU PLUG – SOCKET



15 Amps/Series 5400

Contact tails

Vernitron offers the widest selection of contact tails — all available off the shelf. To specify, add sub-number to catalog number; example: P₂-5404. For solder hook contact tails (plugs only), no sub-number is needed.



Figures in parenthesis are millimeters.

Specifications

Current rating, individual contacts	15 amps
Voltage rating, rms	1750 volts; 250 volts (U.L.▲)
Standards	U.L. recognized (File No. E34763) CSA certified (File No. 22156)
No. of contacts — Standard series	4 to 16
Pre-grounding	5 to 13 (incl grounding contact)
Plug contact material	Brass, cadmium plated
Plug contact dimensions (exposed contact surface)	.54" L x .25" W x .06" thick (13,7 x 6,4 x 1,5 mm)
Socket contact	Phosphor bronze, cadmium plated. Double-wipe contact engages both sides of plug contacts
Pre-grounding contact rating	Up to 30 amps at rated voltages
Pre-grounding contact material	Heavy-duty plated brass
Pre-grounding contact tail	Mounted on an elevated barrier which results in additional creep distance between adjacent contacts
Contact plating options (add dash number to catalog number)	-03: .0003" (8μm) silver -04: .000015" (0,4μm) gold over .0002" (5μm) nickel -05: .00001" (0,3μm) rhodium over .0002" (5μm) nickel
Base insulating material	High-grade phenolic, black
Backshell materials	Thermoplastic (standard). Metal (option -M)
Backshell handles	Available for 5406 thru 5416. Consult factory
Hardware materials/finishes —	
Cable clamp, screws, latch and keeper, angle bracket, 63A lock	Steel, bright nickel electroplated
Deep and shallow bracket, and metal backshells	Steel, baked black wrinkle enamel finish over zinc chromate plating

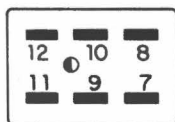
▲U.L. rated at 250V, ac or dc, max between adjacent contacts. U.L. will consider higher voltages depending upon arrangement of live contacts and applicable requirements for equipment in which it is used.

Pre-grounding connectors

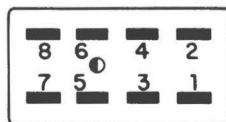
○ = polarizing position ● = combination pre-grounding/polarizing position



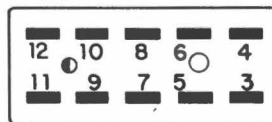
5405



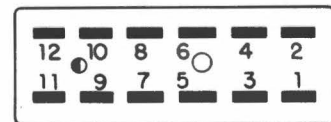
5407



5409



5411



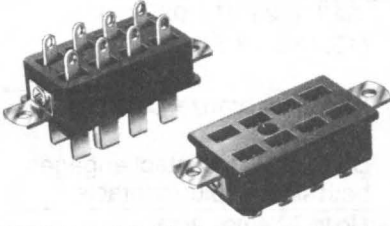
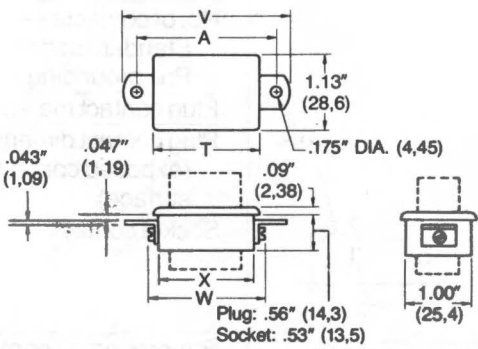
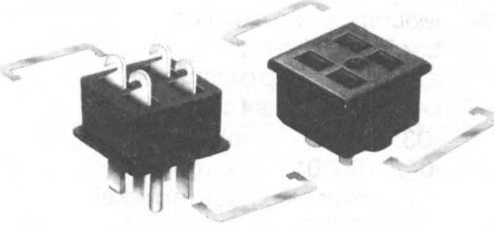
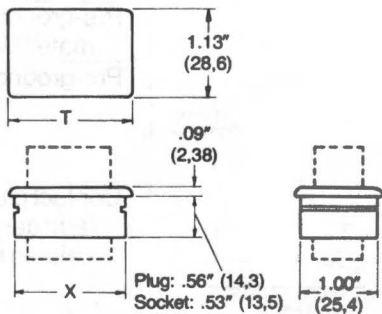
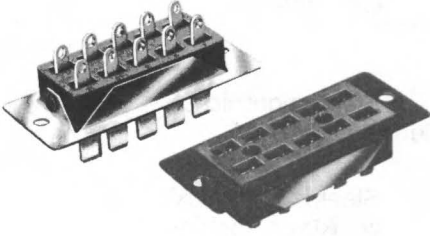
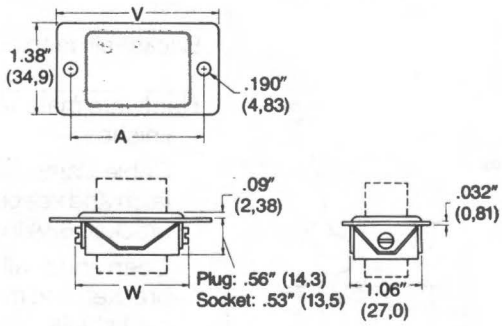
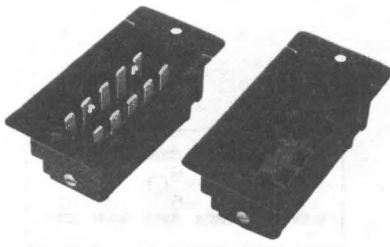
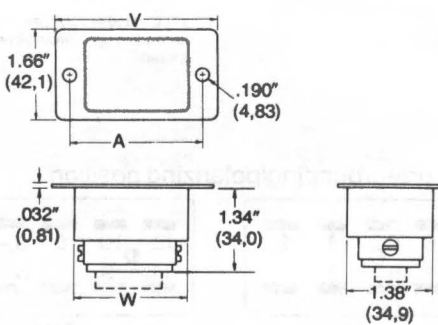
5413



BEAU PLUG – SOCKET

15 Amps/Series 5400

Panel mounting styles

Mounting hardware	Connector dimension drawings Dimensions: inches (mm)	Plug and Socket		Pre-grounding	
		No. of Contacts	Cat. No. (P- or S-)	No. of Contacts	Cat. No. (PG- or SG-)
AB Angle Bracket ABT Angle Bracket Tapped (6-32) LAB Less Angle Bracket 	Fig. D 	4 6 8 10 12 14 15 16	5404 5406 5408 5410 5412 5414 5415 5416	5 7 9 11 13 — — —	5405 5407 5409 5411 5413 — — —
SCC Snap C-Clip 	Fig. E 	4 6 8 10 12 14 15 16	5404 5406 5408 5410 5412 5414 5415 5416	5 7 9 11 13 — — —	5405 5407 5409 5411 5413 — — —
Specify panel thickness when ordering. SB Shallow Bracket 	Fig. F 	4 6 8 10 12 14 15 16	5404 5406 5408 5410 5412 5414 5415 5416	5 7 9 11 13 — — —	5405 5407 5409 5411 5413 — — —
DB Deep Bracket 	Fig. G 	4 6 8 10 12 14 15 16	5404 5406 5408 5410 5412 5414 5415 5416	5 7 9 11 13 — — —	5405 5407 5409 5411 5413 — — —

BEAU PLUG – SOCKET

15 Amps/Series 5400



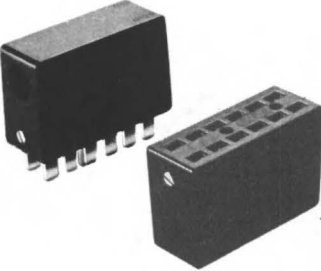
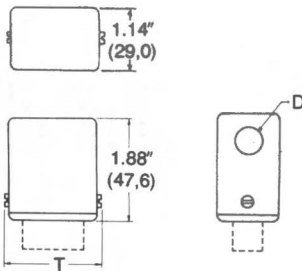
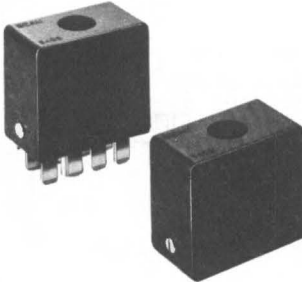
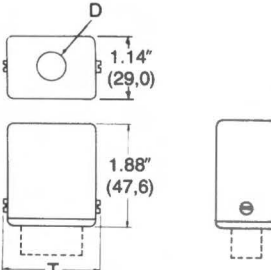
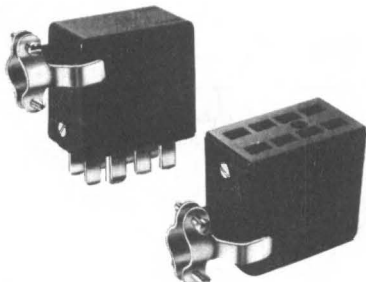
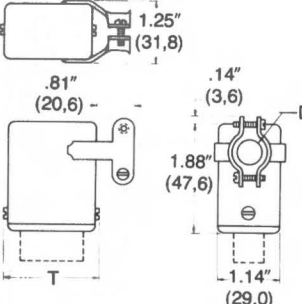
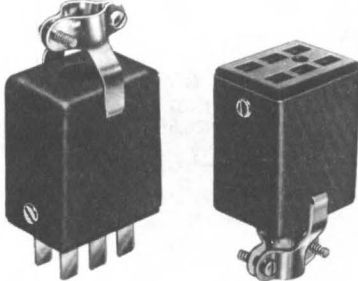
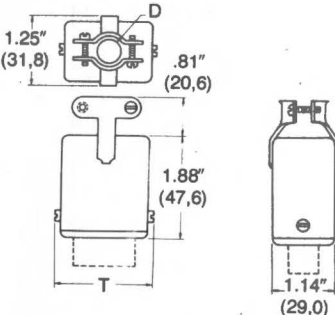
Connector dimensions				Panel mounting dimensions (suggested)				Cat. No. (P- or S-)	Panel dimension drawings (suggested)																																																																																																									
T		V		W		X				A	C																																																																																																							
in.	mm	in.	mm	in.	mm	in.	mm	in.	mm																																																																																																									
<table border="1"> <tr> <td>1.13</td><td>28,6</td><td>2.02</td><td>51,2</td><td>1.23</td><td>31,4</td><td>1.00</td><td>25,4</td><td>1.594</td><td>40,5</td><td>1.015</td><td>25,8</td><td>5404</td><td rowspan="8"> Fig. J </td> </tr> <tr> <td>1.56</td><td>39,7</td><td>2.45</td><td>62,3</td><td>1.67</td><td>42,5</td><td>1.44</td><td>36,5</td><td>2.031</td><td>51,6</td><td>1.453</td><td>36,9</td><td>5406</td> </tr> <tr> <td>2.00</td><td>50,8</td><td>2.89</td><td>73,4</td><td>2.11</td><td>53,6</td><td>1.88</td><td>47,6</td><td>2.468</td><td>62,7</td><td>1.891</td><td>48,0</td><td>5408</td> </tr> <tr> <td>2.44</td><td>61,9</td><td>3.33</td><td>84,5</td><td>2.55</td><td>64,7</td><td>2.31</td><td>58,7</td><td>2.906</td><td>73,8</td><td>2.328</td><td>59,1</td><td>5410</td> </tr> <tr> <td>2.88</td><td>73,0</td><td>3.77</td><td>95,6</td><td>2.98</td><td>75,8</td><td>2.75</td><td>69,9</td><td>3.344</td><td>84,9</td><td>2.766</td><td>70,3</td><td>5412</td> </tr> <tr> <td>2.88</td><td>73,0</td><td>3.77</td><td>95,6</td><td>2.98</td><td>75,8</td><td>2.75</td><td>69,9</td><td>3.344</td><td>84,9</td><td>2.766</td><td>70,3</td><td>5414</td> </tr> <tr> <td>2.88</td><td>73,0</td><td>3.77</td><td>95,6</td><td>2.98</td><td>75,8</td><td>2.75</td><td>69,9</td><td>3.344</td><td>84,9</td><td>2.766</td><td>70,3</td><td>5415</td> </tr> <tr> <td>2.88</td><td>73,0</td><td>3.77</td><td>95,6</td><td>2.98</td><td>75,8</td><td>2.75</td><td>69,9</td><td>3.344</td><td>84,9</td><td>2.766</td><td>70,3</td><td>5416</td> </tr> </table>										1.13	28,6	2.02	51,2	1.23	31,4	1.00	25,4	1.594	40,5	1.015	25,8	5404	Fig. J 	1.56	39,7	2.45	62,3	1.67	42,5	1.44	36,5	2.031	51,6	1.453	36,9	5406	2.00	50,8	2.89	73,4	2.11	53,6	1.88	47,6	2.468	62,7	1.891	48,0	5408	2.44	61,9	3.33	84,5	2.55	64,7	2.31	58,7	2.906	73,8	2.328	59,1	5410	2.88	73,0	3.77	95,6	2.98	75,8	2.75	69,9	3.344	84,9	2.766	70,3	5412	2.88	73,0	3.77	95,6	2.98	75,8	2.75	69,9	3.344	84,9	2.766	70,3	5414	2.88	73,0	3.77	95,6	2.98	75,8	2.75	69,9	3.344	84,9	2.766	70,3	5415	2.88	73,0	3.77	95,6	2.98	75,8	2.75	69,9	3.344	84,9	2.766	70,3	5416
1.13	28,6	2.02	51,2	1.23	31,4	1.00	25,4	1.594	40,5	1.015	25,8	5404	Fig. J 																																																																																																					
1.56	39,7	2.45	62,3	1.67	42,5	1.44	36,5	2.031	51,6	1.453	36,9	5406																																																																																																						
2.00	50,8	2.89	73,4	2.11	53,6	1.88	47,6	2.468	62,7	1.891	48,0	5408																																																																																																						
2.44	61,9	3.33	84,5	2.55	64,7	2.31	58,7	2.906	73,8	2.328	59,1	5410																																																																																																						
2.88	73,0	3.77	95,6	2.98	75,8	2.75	69,9	3.344	84,9	2.766	70,3	5412																																																																																																						
2.88	73,0	3.77	95,6	2.98	75,8	2.75	69,9	3.344	84,9	2.766	70,3	5414																																																																																																						
2.88	73,0	3.77	95,6	2.98	75,8	2.75	69,9	3.344	84,9	2.766	70,3	5415																																																																																																						
2.88	73,0	3.77	95,6	2.98	75,8	2.75	69,9	3.344	84,9	2.766	70,3	5416																																																																																																						
<table border="1"> <tr> <td>1.13</td><td>28,6</td><td>—</td><td>—</td><td>—</td><td>—</td><td>1.00</td><td>25,4</td><td>—</td><td>—</td><td>1.015</td><td>25,8</td><td>5404</td><td rowspan="8"> Fig. K </td> </tr> <tr> <td>1.56</td><td>39,7</td><td>—</td><td>—</td><td>—</td><td>—</td><td>1.44</td><td>36,5</td><td>—</td><td>—</td><td>1.453</td><td>36,9</td><td>5406</td> </tr> <tr> <td>2.00</td><td>50,8</td><td>—</td><td>—</td><td>—</td><td>—</td><td>1.88</td><td>47,6</td><td>—</td><td>—</td><td>1.891</td><td>48,0</td><td>5408</td> </tr> <tr> <td>2.44</td><td>61,9</td><td>—</td><td>—</td><td>—</td><td>—</td><td>2.31</td><td>58,7</td><td>—</td><td>—</td><td>2.328</td><td>59,1</td><td>5410</td> </tr> <tr> <td>2.88</td><td>73,0</td><td>—</td><td>—</td><td>—</td><td>—</td><td>2.75</td><td>69,9</td><td>—</td><td>—</td><td>2.766</td><td>70,3</td><td>5412</td> </tr> <tr> <td>2.88</td><td>73,0</td><td>—</td><td>—</td><td>—</td><td>—</td><td>2.75</td><td>69,9</td><td>—</td><td>—</td><td>2.766</td><td>70,3</td><td>5414</td> </tr> <tr> <td>2.88</td><td>73,0</td><td>—</td><td>—</td><td>—</td><td>—</td><td>2.75</td><td>69,9</td><td>—</td><td>—</td><td>2.766</td><td>70,3</td><td>5415</td> </tr> <tr> <td>2.88</td><td>73,0</td><td>—</td><td>—</td><td>—</td><td>—</td><td>2.75</td><td>69,9</td><td>—</td><td>—</td><td>2.766</td><td>70,3</td><td>5416</td> </tr> </table>										1.13	28,6	—	—	—	—	1.00	25,4	—	—	1.015	25,8	5404	Fig. K 	1.56	39,7	—	—	—	—	1.44	36,5	—	—	1.453	36,9	5406	2.00	50,8	—	—	—	—	1.88	47,6	—	—	1.891	48,0	5408	2.44	61,9	—	—	—	—	2.31	58,7	—	—	2.328	59,1	5410	2.88	73,0	—	—	—	—	2.75	69,9	—	—	2.766	70,3	5412	2.88	73,0	—	—	—	—	2.75	69,9	—	—	2.766	70,3	5414	2.88	73,0	—	—	—	—	2.75	69,9	—	—	2.766	70,3	5415	2.88	73,0	—	—	—	—	2.75	69,9	—	—	2.766	70,3	5416
1.13	28,6	—	—	—	—	1.00	25,4	—	—	1.015	25,8	5404	Fig. K 																																																																																																					
1.56	39,7	—	—	—	—	1.44	36,5	—	—	1.453	36,9	5406																																																																																																						
2.00	50,8	—	—	—	—	1.88	47,6	—	—	1.891	48,0	5408																																																																																																						
2.44	61,9	—	—	—	—	2.31	58,7	—	—	2.328	59,1	5410																																																																																																						
2.88	73,0	—	—	—	—	2.75	69,9	—	—	2.766	70,3	5412																																																																																																						
2.88	73,0	—	—	—	—	2.75	69,9	—	—	2.766	70,3	5414																																																																																																						
2.88	73,0	—	—	—	—	2.75	69,9	—	—	2.766	70,3	5415																																																																																																						
2.88	73,0	—	—	—	—	2.75	69,9	—	—	2.766	70,3	5416																																																																																																						
<table border="1"> <tr> <td>—</td><td>—</td><td>1.92</td><td>48,8</td><td>1.16</td><td>29,4</td><td>—</td><td>—</td><td>1.500</td><td>38,1</td><td>1.250</td><td>31,8</td><td>5404</td><td rowspan="8"> Fig. L </td> </tr> <tr> <td>—</td><td>—</td><td>2.36</td><td>59,9</td><td>1.59</td><td>40,5</td><td>—</td><td>—</td><td>1.937</td><td>49,2</td><td>1.687</td><td>42,8</td><td>5406</td> </tr> <tr> <td>—</td><td>—</td><td>2.80</td><td>71,0</td><td>2.03</td><td>51,6</td><td>—</td><td>—</td><td>2.375</td><td>60,3</td><td>2.125</td><td>54,0</td><td>5408</td> </tr> <tr> <td>—</td><td>—</td><td>3.23</td><td>82,2</td><td>2.47</td><td>62,7</td><td>—</td><td>—</td><td>2.812</td><td>71,4</td><td>2.562</td><td>65,1</td><td>5410</td> </tr> <tr> <td>—</td><td>—</td><td>3.67</td><td>93,3</td><td>2.91</td><td>73,8</td><td>—</td><td>—</td><td>3.250</td><td>82,6</td><td>3.000</td><td>76,2</td><td>5412</td> </tr> <tr> <td>—</td><td>—</td><td>3.67</td><td>93,3</td><td>2.91</td><td>73,8</td><td>—</td><td>—</td><td>3.250</td><td>82,6</td><td>3.000</td><td>76,2</td><td>5414</td> </tr> <tr> <td>—</td><td>—</td><td>3.67</td><td>93,3</td><td>2.91</td><td>73,8</td><td>—</td><td>—</td><td>3.250</td><td>82,6</td><td>3.000</td><td>76,2</td><td>5415</td> </tr> <tr> <td>—</td><td>—</td><td>3.67</td><td>93,3</td><td>2.91</td><td>73,8</td><td>—</td><td>—</td><td>3.250</td><td>82,6</td><td>3.000</td><td>76,2</td><td>5416</td> </tr> </table>										—	—	1.92	48,8	1.16	29,4	—	—	1.500	38,1	1.250	31,8	5404	Fig. L 	—	—	2.36	59,9	1.59	40,5	—	—	1.937	49,2	1.687	42,8	5406	—	—	2.80	71,0	2.03	51,6	—	—	2.375	60,3	2.125	54,0	5408	—	—	3.23	82,2	2.47	62,7	—	—	2.812	71,4	2.562	65,1	5410	—	—	3.67	93,3	2.91	73,8	—	—	3.250	82,6	3.000	76,2	5412	—	—	3.67	93,3	2.91	73,8	—	—	3.250	82,6	3.000	76,2	5414	—	—	3.67	93,3	2.91	73,8	—	—	3.250	82,6	3.000	76,2	5415	—	—	3.67	93,3	2.91	73,8	—	—	3.250	82,6	3.000	76,2	5416
—	—	1.92	48,8	1.16	29,4	—	—	1.500	38,1	1.250	31,8	5404	Fig. L 																																																																																																					
—	—	2.36	59,9	1.59	40,5	—	—	1.937	49,2	1.687	42,8	5406																																																																																																						
—	—	2.80	71,0	2.03	51,6	—	—	2.375	60,3	2.125	54,0	5408																																																																																																						
—	—	3.23	82,2	2.47	62,7	—	—	2.812	71,4	2.562	65,1	5410																																																																																																						
—	—	3.67	93,3	2.91	73,8	—	—	3.250	82,6	3.000	76,2	5412																																																																																																						
—	—	3.67	93,3	2.91	73,8	—	—	3.250	82,6	3.000	76,2	5414																																																																																																						
—	—	3.67	93,3	2.91	73,8	—	—	3.250	82,6	3.000	76,2	5415																																																																																																						
—	—	3.67	93,3	2.91	73,8	—	—	3.250	82,6	3.000	76,2	5416																																																																																																						
<table border="1"> <tr> <td>—</td><td>—</td><td>2.19</td><td>55,6</td><td>1.38</td><td>34,9</td><td>—</td><td>—</td><td>1.750</td><td>44,5</td><td>1.437</td><td>36,5</td><td>5404</td><td rowspan="8"> Fig. M </td> </tr> <tr> <td>—</td><td>—</td><td>2.63</td><td>66,7</td><td>1.81</td><td>46,0</td><td>—</td><td>—</td><td>2.187</td><td>55,5</td><td>1.875</td><td>47,6</td><td>5406</td> </tr> <tr> <td>—</td><td>—</td><td>3.06</td><td>77,8</td><td>2.25</td><td>57,2</td><td>—</td><td>—</td><td>2.625</td><td>66,7</td><td>2.312</td><td>58,7</td><td>5408</td> </tr> <tr> <td>—</td><td>—</td><td>3.50</td><td>88,9</td><td>2.69</td><td>68,3</td><td>—</td><td>—</td><td>3.062</td><td>77,8</td><td>2.750</td><td>69,9</td><td>5410</td> </tr> <tr> <td>—</td><td>—</td><td>3.94</td><td>100</td><td>3.13</td><td>79,4</td><td>—</td><td>—</td><td>3.500</td><td>88,9</td><td>3.187</td><td>80,9</td><td>5412</td> </tr> <tr> <td>—</td><td>—</td><td>3.94</td><td>100</td><td>3.13</td><td>79,4</td><td>—</td><td>—</td><td>3.500</td><td>88,9</td><td>3.187</td><td>80,9</td><td>5414</td> </tr> <tr> <td>—</td><td>—</td><td>3.94</td><td>100</td><td>3.13</td><td>79,4</td><td>—</td><td>—</td><td>3.500</td><td>88,9</td><td>3.187</td><td>80,9</td><td>5415</td> </tr> <tr> <td>—</td><td>—</td><td>3.94</td><td>100</td><td>3.13</td><td>79,4</td><td>—</td><td>—</td><td>3.500</td><td>88,9</td><td>3.187</td><td>80,9</td><td>5416</td> </tr> </table>										—	—	2.19	55,6	1.38	34,9	—	—	1.750	44,5	1.437	36,5	5404	Fig. M 	—	—	2.63	66,7	1.81	46,0	—	—	2.187	55,5	1.875	47,6	5406	—	—	3.06	77,8	2.25	57,2	—	—	2.625	66,7	2.312	58,7	5408	—	—	3.50	88,9	2.69	68,3	—	—	3.062	77,8	2.750	69,9	5410	—	—	3.94	100	3.13	79,4	—	—	3.500	88,9	3.187	80,9	5412	—	—	3.94	100	3.13	79,4	—	—	3.500	88,9	3.187	80,9	5414	—	—	3.94	100	3.13	79,4	—	—	3.500	88,9	3.187	80,9	5415	—	—	3.94	100	3.13	79,4	—	—	3.500	88,9	3.187	80,9	5416
—	—	2.19	55,6	1.38	34,9	—	—	1.750	44,5	1.437	36,5	5404	Fig. M 																																																																																																					
—	—	2.63	66,7	1.81	46,0	—	—	2.187	55,5	1.875	47,6	5406																																																																																																						
—	—	3.06	77,8	2.25	57,2	—	—	2.625	66,7	2.312	58,7	5408																																																																																																						
—	—	3.50	88,9	2.69	68,3	—	—	3.062	77,8	2.750	69,9	5410																																																																																																						
—	—	3.94	100	3.13	79,4	—	—	3.500	88,9	3.187	80,9	5412																																																																																																						
—	—	3.94	100	3.13	79,4	—	—	3.500	88,9	3.187	80,9	5414																																																																																																						
—	—	3.94	100	3.13	79,4	—	—	3.500	88,9	3.187	80,9	5415																																																																																																						
—	—	3.94	100	3.13	79,4	—	—	3.500	88,9	3.187	80,9	5416																																																																																																						



BEAU PLUG – SOCKET

15 Amps/Series 5400

Cable mounting styles

Mounting hardware	Plug and Socket		Pre-grounding		Connector dimensions				Connector dimension drawings		
	No. of Contacts	Cat. No. (P- or S-)	No. of Contacts	Cat. No. (PG- or SG-)	D†		T		Dimensions: inches (mm)		
					in.	mm	in.	mm			
FHE Flared Hole End 	4	5404	5	5405	.44	11,1	1.23	31,4	Fig. J 		
	6	5406	7	5407	.44	11,1	1.67	42,5			
	8	5408	9	5409	.56	14,3	2.11	53,6			
	10	5410	11	5411	.56	14,3	2.55	64,7			
	12	5412	13	5413	.63	15,9	2.98	75,8			
	14	5414	—	—	.63	15,9	2.98	75,8			
	15	5415	—	—	.63	15,9	2.98	75,8			
	16	5416	—	—	.63	15,9	2.98	75,8			
	FHT Flared Hole Top 	4	5404	5	5405	.44	11,1	1.23		31,4	Fig. K 
		6	5406	7	5407	.44	11,1	1.67		42,5	
8		5408	9	5409	.56	14,3	2.11	53,6			
10		5410	11	5411	.56	14,3	2.55	64,7			
12		5412	13	5413	.63	15,9	2.98	75,8			
14		5414	—	—	.63	15,9	2.98	75,8			
15		5415	—	—	.63	15,9	2.98	75,8			
16		5416	—	—	.63	15,9	2.98	75,8			
CCE Cable Clamp End 		4	5404	5	5405	.44	11,1	1.23	31,4	Fig. L 	
		6	5406	7	5407	.44	11,1	1.67	42,5		
	8	5408	9	5409	.56	14,3	2.11	53,6			
	10	5410	11	5411	.56	14,3	2.55	64,7			
	12	5412	13	5413	.63	15,9	2.98	75,8			
	14	5414	—	—	.63	15,9	2.98	75,8			
	15	5415	—	—	.63	15,9	2.98	75,8			
	16	5416	—	—	.63	15,9	2.98	75,8			
	CCT Cable Clamp Top 	4	5404	5	5405	.44	11,1	1.23	31,4		Fig. M 
		6	5406	7	5407	.44	11,1	1.67	42,5		
8		5408	9	5409	.56	14,3	2.11	53,6			
10		5410	11	5411	.56	14,3	2.55	64,7			
12		5412	13	5413	.63	15,9	2.98	75,8			
14		5414	—	—	.63	15,9	2.98	75,8			
15		5415	—	—	.63	15,9	2.98	75,8			
16		5416	—	—	.63	15,9	2.98	75,8			

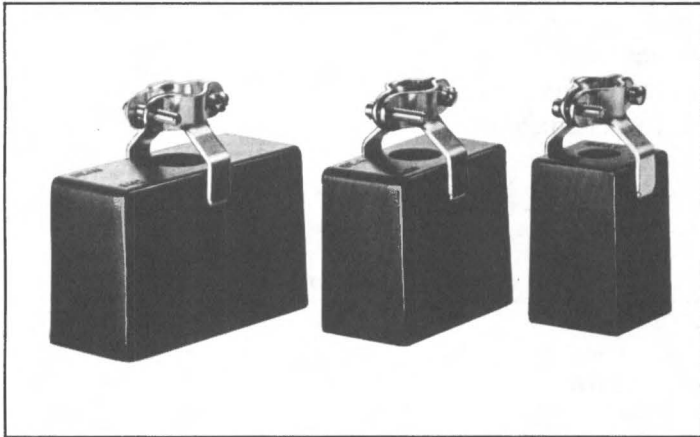
†For non-standard hole sizes, consult factory.

BEAU PLUG – SOCKET



15 Amps/Series 5400

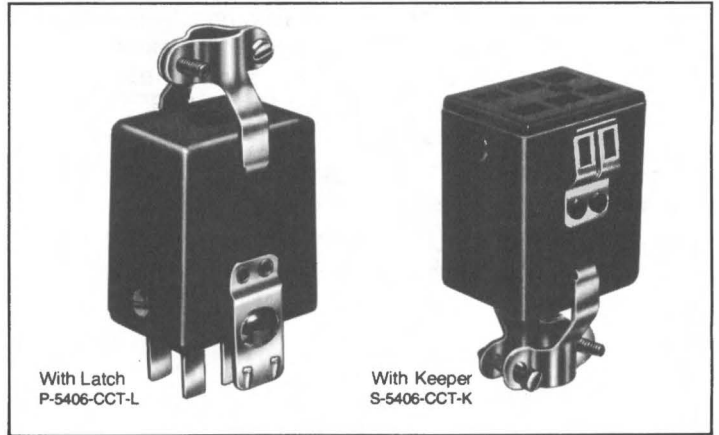
Cable mounting hardware



Backshells

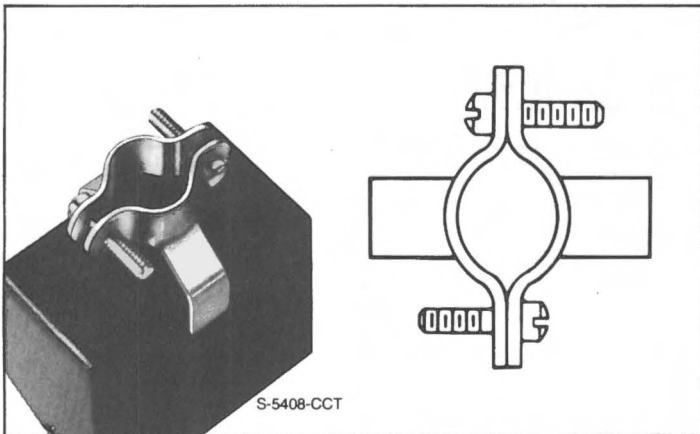
Thermoplastic (standard). These molded thermoplastic backshells, exclusively from Vemtron, provide greater dielectric strength — and greater safety than metal backshells. They are also highly resilient, non-denting, non-rusting, acid resistant. U.L. recognized. CSA certified. Color, black.

Metal (option -M). Available upon request. Made of zinc plated steel, chromate dipped and painted with baked black wrinkle enamel finish. Furnished with insulating paper liners. U.L. recognized, CSA certified.



Latch (-L) and Keeper (-K)

For connecting two cable-mounted connectors. Plug and socket can be equipped with either a latch (-L) or keeper (-K).

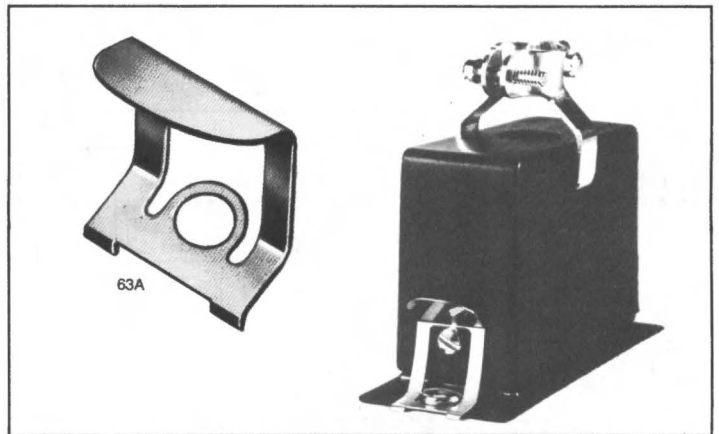


Cable clamps

Strain relief cable clamps, used with round cable. For top mounting (-CCT) or end mounting (-CCE).

For connector size	Clamp opening diam, in. (mm)		Clamp Cat. No.
	min	max	
STANDARD CLAMP SIZES			
5404 thru 5406	.38" (9,7)	.72" (18,3)	36*
5408 thru 5416	.38" (9,7)	.84" (21,3)	36A*
CLAMP OPTIONS			
5404 thru 5416	.45" (11,4)	.91" (23,1)	78
5404 thru 5416 for CCE mating DB	.38" (9,7)	.72" (18,3)	47

*Order number not required. This clamp size automatically furnished when ordering -CCT or -CCE.



63A Panel lock and stud

For locking a cable-mounted connector to a panel-mounted connector. In panel mounting applications, the 63A lock mounts with the same screw used to secure the bracket. The stud is built into the backshell; to order, add dash number to connector catalog number (two types available; see table below). Panel locks are ordered separately: Catalog No. 63A (also specify panel mounting style SB or DB).

Mounting hardware	Connector sizes	Stud Cat. No.
SB Shallow bracket	5404 thru 5416	-63A-SB
DB Deep bracket	5404 thru 5416	-63A-DB



BEAU PLUG — SOCKET

50 Amps/Series 5500

For panel interface mounting

Heavy-duty Beau 5500 connectors are compatible with "Series 500 type." The 5500 series is a rectangular blade type connector rated at 50 amps — the only 50 amp connector of any kind with the wide range of 2 to 16 contacts. The 5500 plug and socket are made with Shallow Bracket (-SB) hardware for panel mounting.

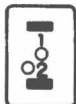
Hermaphroditic option: Available with any combination of male and female contacts in both halves.

Typical applications include heavy-duty battery powered equipment, lighting, heating and cooling systems, large power supplies, etc.

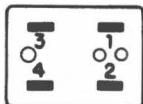
Contact orientation

The polarization arrangement numbers shown are for *sockets*, as viewed from the wiring side. Plug numbering is the opposite.

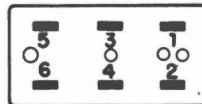
○ = polarizing position



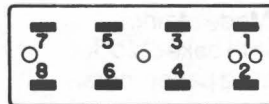
5502



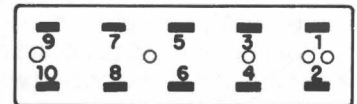
5504



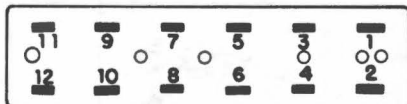
5506



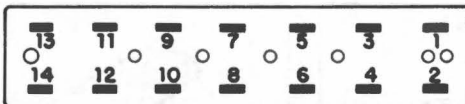
5508



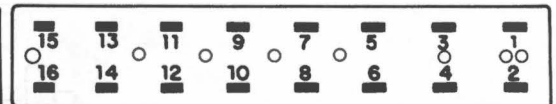
5510



5512



5514



5516

Specifications

Current rating, individual contacts	50 amps
Voltage rating, rms	600 volts
No. of contacts	2 to 16
Plug contact material	Brass, cadmium plated
Plug contact dimensions (exposed contact surface)	.72" L x .32" W x .09" thick (18,3 x 8,1 x 2,3 mm)
Socket contact	Phosphor bronze, cadmium plated. Double-wipe socket engages both sides of plug contacts
Contact tails	No. 10-32 binding head screw
Contact plating options (add dash number to catalog number)	-03: .0003" (8μm) silver -04: .00015" (0,4μm) gold over .0002" (5μm) nickel -05: .0001" (0,3μm) rhodium over .0002" (5μm) nickel
Base insulating material	High-grade phenolic, black
Shallow bracket material	Steel, baked black wrinkle enamel finish over zinc chromate plating

SB Shallow Bracket

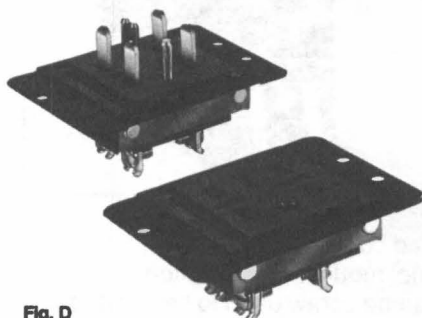
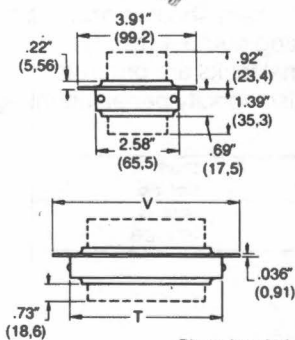


Fig. D



Dimensions: inches (mm)

No. of Contacts	Catalog No. — Plug (P-), and Socket (S-)	In./mm	Connector dimensions		Panel mounting dimensions (suggested)		Panel dimension drawings (suggested)
			T	V	A	C	
2	5502	in. mm	1.33 33,7	1.94 49,2	— —	1.63 41,3	Fig. E
4	5504	in.	2.14	2.75	.81	2.44	Fig. F
6	5506	mm	54,4	69,8	20,6	61,9	
8	5508	in.	2.95	3.56	1.62	3.25	
8	5508	mm	75,0	90,5	41,1	82,6	Fig. G
10	5510	in.	3.75	4.38	2.44	4.06	
10	5510	mm	95,3	111	62,0	103	
12	5512	in.	4.56	5.19	3.25	4.88	Fig. G
14	5514	mm	116	132	82,6	124	
14	5514	in.	5.38	6.00	2.03	5.69	
16	5516	mm	137	152	51,6	144	Fig. G
16	5516	in.	6.19	6.81	2.44	6.50	
16	5516	mm	157	173	62,0	165	
16	5516	in.	7.00	7.63	2.84	7.31	Fig. G
16	5516	mm	178	194	72,1	186	

BEAU PLUG – SOCKET



40, 45 and 60 Amps/Series 5600

Now, a high-current connector that fits in a small space.

Here's a new, space-saving way to connect up to five circuits. Beau Series 5600 connectors take less than half the panel space of the typical high-current 5-contact round connectors. Rugged and reliable, the new rectangular connectors are designed to fit into narrow spaces.

Modular contact arrangements.

Each connector has five modules for mating up to five circuits. When fewer circuits or a polarized arrangement is desired, the connectors can be furnished with one or more module positions molded closed. Also, they can be furnished with three types of contact terminations (option) to handle different ranges of wire sizes. The contact terminations can be placed in any sequence desired.

Lowest cost per circuit.

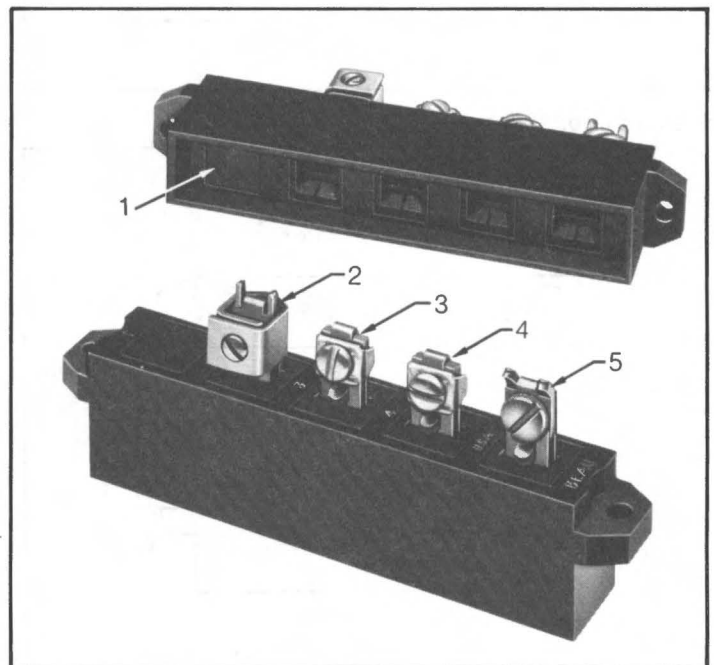
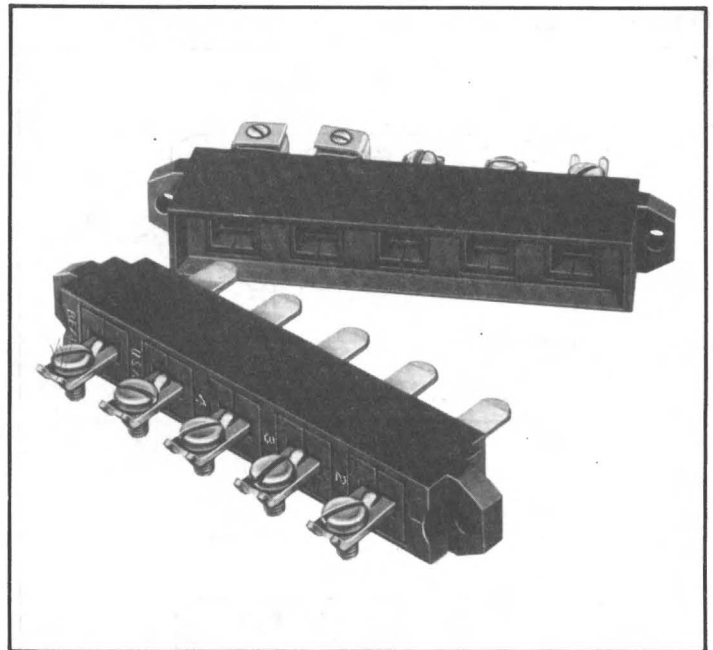
The 5600 series connectors achieve a cost per circuit that is considerably below the typical high-current 5-contact round connector.

Rugged, durable blades.

Beau flat-blade connectors are known for their ruggedness and reliability. The floating contact design makes mating and unmating smooth and sure. With double-wipe contacts in the socket, the maximum surface area of plug and socket are mated, obtaining the necessary contact pressure. The result—low contact resistance and high current-carrying capacity.

Easy field installation.

No special tools are required. Screw terminations eliminate the need to solder.



The five modules in the connector can be furnished in a variety of arrangements. Modules may be closed (position 1), or have wire pressure clamps (2), saddle clamps (3, 4), or binding head screws (5) in any sequence desired. Your application, wire size and current requirements determine the type of wire clamp to be used.

