



L309/1 Terminal

A heavy current terminal with a non-rotating head for lettering. The rotating collar is captive and the clamping gap is free from threads.

Current rating: ___ 30 A

Temperature range: ___ -25 °C to + 85 °C

Materials: ___ Head, phenolic resin
Disc, tenite butyrate
Stem, brass, nickel plated

Colours: ___ Head, black
Disc, red or black

Weight: ___ 25,5 g average



L309/1
with F Fitting.

F panel fittings

Comprises: ___ Phenolic resin moulding, SRBP insulating washer, Metal washer, 2 locknuts

Breakdown voltage: ___ >3 kVd.c.

Insulation resistance: ___ $\geq 10^3$ megohms

Panel thickness: 1,6 mm to 23,8 mm

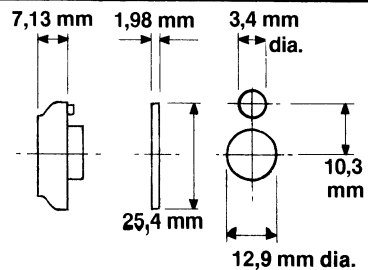
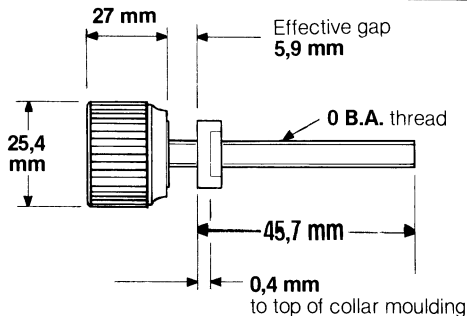
Temperature range: ___ -25 °C to + 85 °C (ambient)

Fixing torque: ___ 2,1 Nm to 3,5 Nm

Colour: ___ Black

Ordering reference: L309/1/Colour F panel fittings

(Terminals and fittings are supplied unassembled and must be ordered as individual items.)



Panel cut-out