



Single pole connectors, 4 mm (cont.)

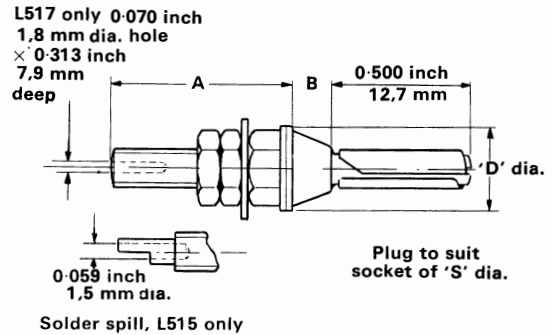
Current rating	10 A (temperature rise <math>< 10^{\circ}\text{C}</math>)			
Contact resistance	<math>< 2\text{ m}\Omega</math>			
Insulation resistance	>math>\geq 10^3\text{ M}\Omega</math>			
Voltage breakdown (Sockets)	> 5 kV d.c.			
Temperature range	-55 °C to +85 °C (L1716A +70 °C)			
Conductor sizes (maximum)	L378A/4	56/0.3 mm		
	L1706	L1708	50/0.25 mm	
	L1716A		32/0.2 mm	
Panel thickness (max.)	L1413	0.187 in	4.8 mm	
	L1318	L1717	L1718	0.275 in
Fixing torque (Sockets)	60–80 ozf in, 0.565–0.424 N m			
Materials	Contact body—Brass, silver-plated Contact leaf—Phosphor-bronze, silver-plated			
Insulant	L1716A—PVC, remainder Polypropylene			
Colours	Black, blue, green, red, white and yellow			

Single pole uninsulated O-Z plugs

These connectors employ the O-Z multiple contact leaf spring, a well-known Belling-Lee feature, ensuring low contact resistance and high current rating. It also combats faulty contact and ejection under vibration.

Current ratings

L513 3 mm plug	10 A
L514 4 mm plug	10 A
L515 5 mm plug	15 A



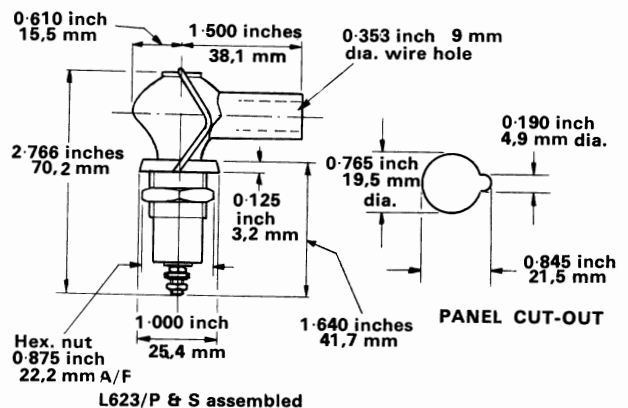
Type No.	L513	L514	L515
Stem	6 B.A.	4 B.A.	4 B.A.
A	in: 0.562 mm: 14.3	in: 0.625 mm: 15.9	in: 0.656 mm: 16.7
B	in: 0.125 mm: 3.2	in: 0.218 mm: 5.6	in: 0.250 mm: 6.4
D	in: 0.234 mm: 6	in: 0.281 mm: 7.1	in: 0.281 mm: 7.1
S	in: 0.125 mm: 3	in: 0.156 mm: 4	in: 0.204 mm: 5

4 mm Single pole high tension connector

L623/P Fixed plug
L623/S Free socket

This plug and socket assembly employs the O-Z contact principle, a well-known Belling-Lee feature ensuring low contact resistance and reliability when subjected to vibration.

Voltage breakdown (d.c.)	at sea level > 10 kV 18,000 m, 60,000 ft > 1.5 kV
Insulation resistance	>math>\geq 10 \times 10^3\text{ M}\Omega</math>
Contact resistance	6–13 m Ω
Panel thickness (maximum)	0.312 in, 7.9 mm
Fixing torque	90–200 ozf in, 1.41–0.63 N m
Wire size	0.35 in, 9 mm maximum diameter
Materials	Body: Phenolic resin moulding Contacts: Plug phosphor-bronze Socket brass Finish: Silver plated



Weight (average)	Socket 23.84 g, 0.84 oz Plug: 15.57 g, 0.55 oz
-------------------------	---