

4

3

2

1

THIS DRAWING IS UNPUBLISHED.

RELEASED FOR PUBLICATION

© COPYRIGHT BY TYCO ELECTRONICS CORPORATION. ALL RIGHTS RESERVED.

ALL RIGHTS RESERVED.

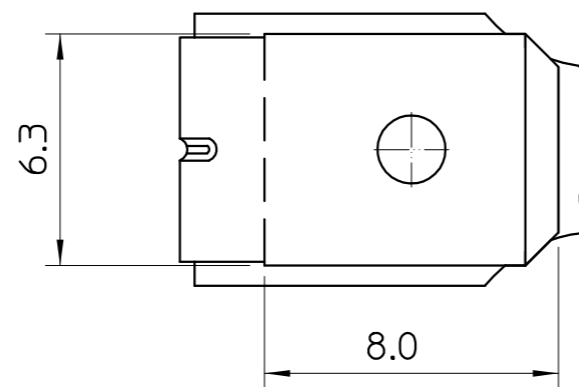
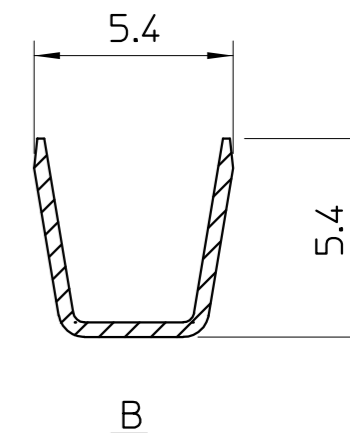
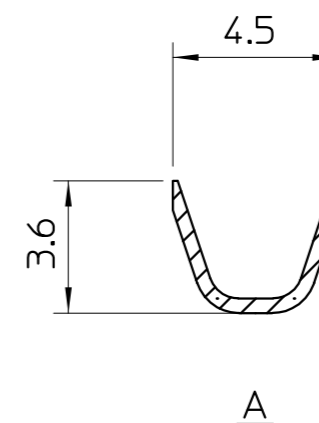
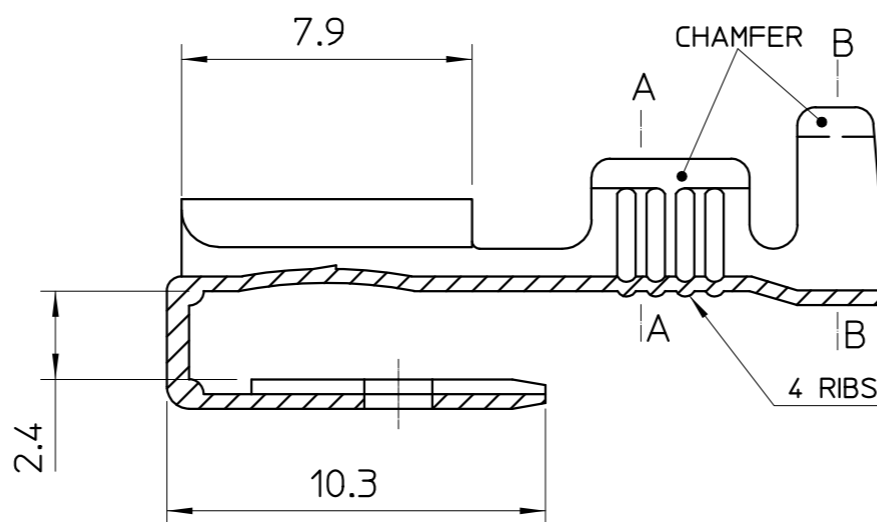
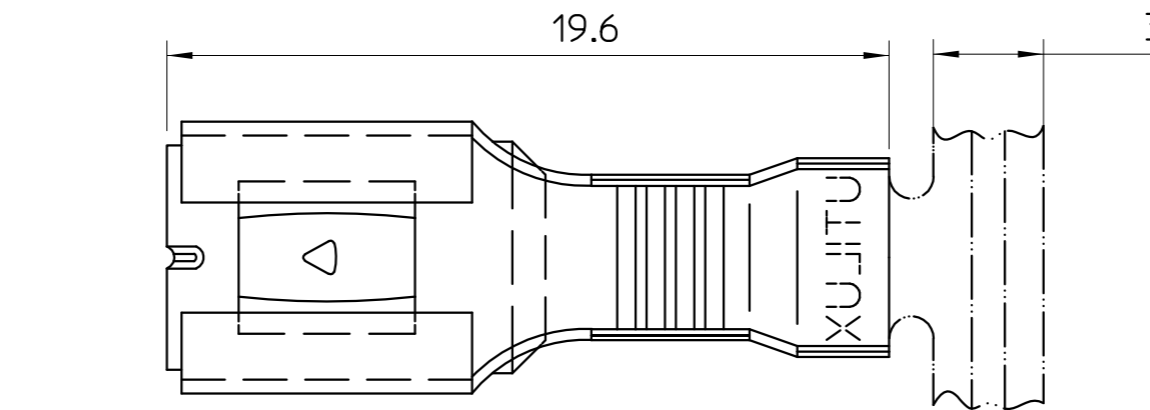
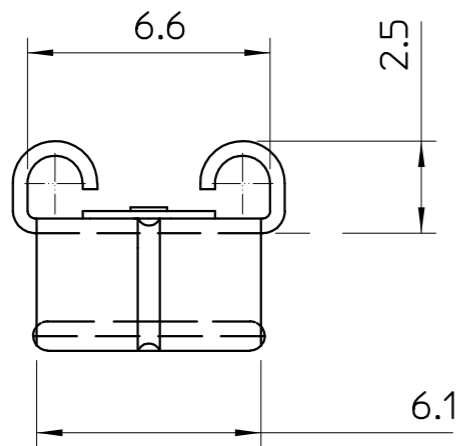
LOC U DIST -

REVISIONS

P	LTR	DESCRIPTION	DATE	DWN	APVD

D

C

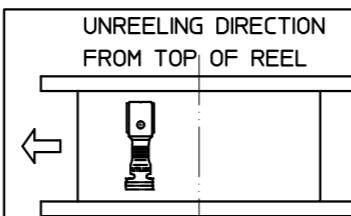


BRASS	RECEPTACLE H2833	1-1627134-4
BRASS PRE-TIN	RECEPTACLE H2833ET	1-1627134-3
NICKEL SILVER	RECEPTACLE H2833B	1-1627134-2
MATERIAL	DESCRIPTION	PART No.

NOTES:

- WIRE SIZE RANGE:  
CONDUCTOR: 1.0mm<sup>2</sup> - 1.5mm<sup>2</sup>  
INSULATION DIA.: 2.8mm - 3.4mm
- FOR CRIMPING DETAILS REFER TO UTILUX CRIMP CHART NO. H2833

THIS INFORMATION IS CONFIDENTIAL AND PROPRIETARY TO TYCO ELECTRONICS CORPORATION AND ITS WORLDWIDE SUBSIDIARIES AND AFFILIATES. IT MAY NOT BE DISCLOSED TO ANYONE OTHER THAN TYCO ELECTRONICS PERSONNEL WITHOUT WRITTEN PERMISSION FROM TYCO ELECTRONICS CORPORATION, HARRISBURG, PENNSYLVANIA, USA.



THIS DRAWING IS A CONTROLLED DOCUMENT.

ALL DIMENSIONS IN mm:

DIMENSION (mm)	TOLERANCE (+mm)
LESS THAN 10	0.4
OVER 10 TO 30	0.5
OVER 30 TO 80	0.7
OVER 80 TO 250	1.0
ANGLES	+2°

MATERIAL -

FINISH -

DWN: W.RIEDE 2.11.04

CHK: H.THAI 2.11.04

APVD: W.RIEDE 2.11.04

PRODUCT SPEC: -

APPLICATION SPEC: -

WEIGHT: -

**tyco** Tyco Electronics Corporation  
**Electronics** AUSTRALIA

NAME: RECEPTACLE QC6.3

SIZE	CAGE CODE	DRAWING NO	RESTRICTED TO
A3		©=1627134	-

CUSTOMER DRAWING

SCALE 5:1 SHEET 1 OF 1 REV 0