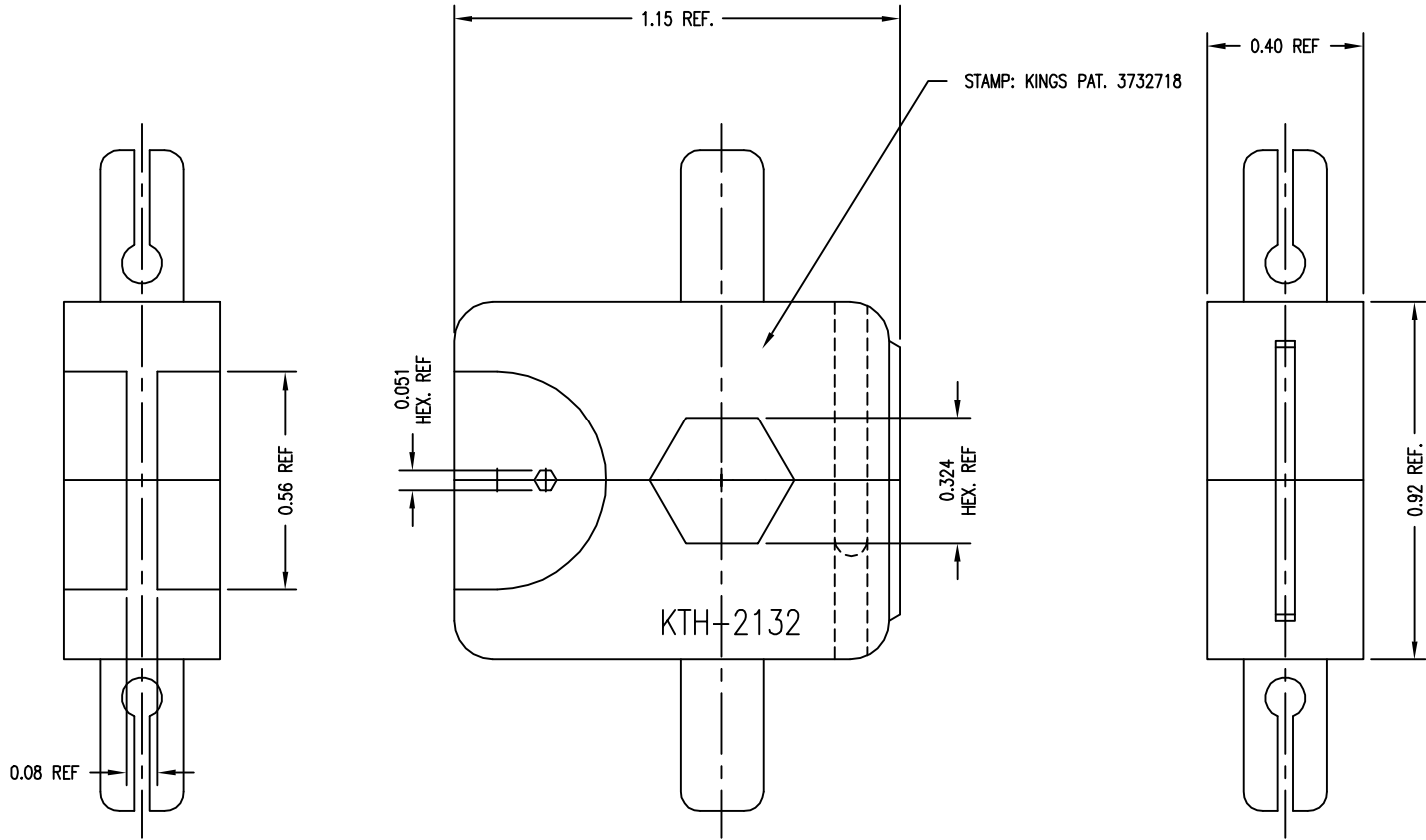


DASH NO. M CODE MADE FROM



SD

KTH-2132

REVISIONS		
ISSUE	CHANGES	
0	ER GL	23048 02/19/82
1	CN AJ	27546C 12/02/85

NOTES:
1. FOR USE WITH BELDEN 9248 CABLE.

SCALE 3:1	
APPROX SURFACE AREA	
USED ON	
REF: XEROX P.O. 556590-93	
DIE, CRIMP	
DRAWN GL	DATE 02/16/82
DESIGN	DATE
APPR. VLS	DATE 02/17/82
 KINGS ELECTRONICS CO., INC. TUCKAHOE, NEW YORK 10707	
KTH-2132	

SD