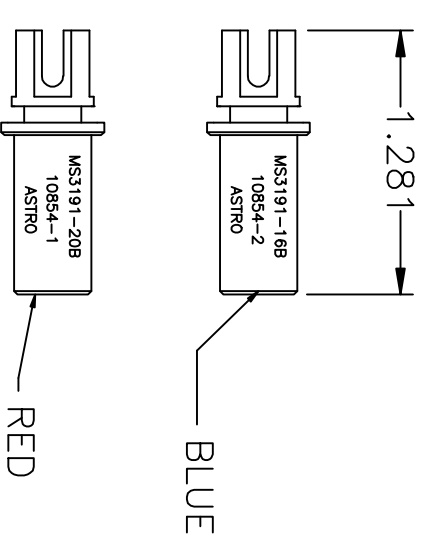


**UNCONTROLLED DOCUMENT
WILL NOT BE UPDATED**



- 3. REF: EQUIVALENT TO MS3191-2
- 2. CALIBRATE TOOL TO .033 GO / .041 NO-GO USING ATK6000 GAGE KIT.
- 1. THIS IS AN AUTOCAD DRAWING DO NOT CHANGE MANUALLY.

NOTES:

REV.	DESCRIPTION	BY	DATE	APR.
A	NEW RELEASE	DY0	11-08-10	MMK

THESE DRAWINGS, SPECIFICATIONS OR OTHER DATA ARE AND REMAIN THE PROPERTY OF ASTRO TOOL CORP. AND MUST BE RETURNED UPON REQUEST. THEY CONTAIN INFORMATION OWNED AND/OR DEVELOPED BY ASTRO AT ITS OWN PRIVATE EXPENSE AND MAY NOT BE USED, DUPLICATED OR DISCLOSED TO OTHERS, IN WHOLE OR IN PART FOR DESIGN, MANUFACTURE OR PROCUREMENT WITHOUT THE WRITTEN PERMISSION OF ASTRO TOOL CORP. EACH AND EVERY TIME.

SCALE:	N.T.S.
DWN BY:	DY0
DATE:	11-08-10
APPROVED:	
UNLESS OTHERWISE SPECIFIED:	
DECIMALS:	XXX ± .005
	XX ± .010
	X ± .030
ANGLES:	± 1°

ASTRO TOOL CORP.
 21615 S.W. TUALATIN VALLEY HWY., BEAVERTON OR 97006
 CAGE 58164

DESCRIPTION: ENVELOPE DRAWING: 11234
 CRIMP TOOL W/ 2 POSITIONERS

PART NO. B 11234-ENV