

**CERTI-CRIMP II SAHT**

**onlinecomponents.com**  
THE ONLINE DISTRIBUTOR OF ELECTRONIC COMPONENTS

Standard Straight Action Hand Tool Design  
 Widely used in the Aircraft and Military industries

*Image representative of type only*

**Features:**

Fixed dies  
 Straight action jaw closure  
 Ratchet mechanism ensures complete crimp cycle  
 Emergency only ratchet release  
 Terminal/wire positioning aids & Ins. adjustment on most tools  
 Ergonomic non-slip handles  
 Approximate weight 0.59 kg (1.3 lbs)



Part Number	Description	mm <sup>2</sup> (AWG) or other
91572-1	AMP CT 2.0 Receptacle	0.12 - 0.4 (26-22)
91576-1	AMP DYNAMIC D-2	0.08 - 0.22 (28-24)
91595-1	AMP DYNAMIC D-2	0.4 - 1.0 (22-18)
91558-1	AMP DYNAMIC D-3	0.6 - 1.5 (20-16)
91559-1	AMP DYNAMIC D-3	0.2 - 0.6 (24-20)
91503-1	AMPLIMITE HD-20	0.08 - 0.6 (28-20) Ins. Ø0.76-1.52mm
91513-1	AMPLIMITE HD-20	0.4 - 1.0 (22-18) No Ins. Crimp
91548-1	AMPLIMITE HD-20	0.08 - 0.6 (28-20) No Ins. Crimp
91549-1	AMPLIMITE HD-20	0.08 - 0.22 (28-24) Ins. Ø0.76-1.52mm
91520-1	AMPLIMITE HD-22	0.08 - 0.4 (28-22) Ins. Ø0.76-1.27mm
91537-1	AMPMODU II FFC	0.15 - 0.4 (26-22)
91516-1	AMPMODU IV	0.05 - 0.6 (30-20)
91517-1	AMPMODU IV, V	0.15 - 0.4 (26-22) Ins. Ø1.02-1.52mm
91512-1	Commercial MATE-N-LOK	0.2 - 1.0 (24-18) Ins. Ø1.52-2.54mm
91501-1	Micro MATE-N-LOK	0.2 - 0.6 (24-20) Ins. Ø0.89-1.53mm
91502-1	Micro MATE-N-LOK	0.05 - 0.12 (30-26) Ins. Ø0.89-1.53mm
91522-1	Mini-Universal MATE-N-LOK	0.4 - 1.0 (22-18) Ins. Ø1.5-2.39mm
91529-1	Mini-Universal MATE-N-LOK	0.15 - 0.4 (26-22) Ins. Ø1.19-1.75mm
91536-1	Mini-Universal MATE-N-LOK "F" Ins. Crimp	0.5 - 1.42 (22-16) Ins. Ø2.0-3.2mm
91594-1	Mini-Universal MATE-N-LOK "O/L" Ins. Crimp	0.5 - 1.42 (22-16) Ins. Ø2.0-3.2mm
91577-1	MULTILOCK 040	0.4 - 0.6 (22-20)
91505-1	TYPE III+	0.2 - 1.42 (24-16) Ins. Ø1.14-2.54mm

*Only the most popular options are listed here, please use our online search by terminal PN to find the right tool for your application, and contact us where information is unclear or missing - there may well be something available for your requirement.*

**CERTI-CRIMP II SAHT - Short Handle** theonlinecomponents.com

Ideal for working in confined spaces  
 Widely used in the Aircraft and Military industries

*Image representative of type only*

**Features:**

- Fixed dies
- Straight action jaw closure
- Ratchet mechanism ensures complete crimp cycle
- Emergency only ratchet release
- Terminal/wire positioning aids & Ins. adjustment on most tools
- Ergonomic non-slip handles
- Approximate weight 0.5 kg (1.1 lbs)



Part Number	Description	mm <sup>2</sup> (AWG) or other
1901600-2	PIDG STRATO-THERM Terminals & Splices	1.0 - 1.5 (18-16)
1901611-2	PIDG STRATO-THERM Terminals & Splices	0.2 - 0.6 (24-20)

*Only the most popular options are listed here, please use our online search by terminal PN to find the right tool for your application, and contact us where information is unclear or missing - there may well be something available for your requirement.*

**CERTI-CRIMP II SAHT - Long Handle**

Low handle force for ease of operation  
 Widely used in the Aircraft and Military industries

*Image representative of type only*

**Features:**

- Fixed dies
- Straight action jaw closure
- Ratchet mechanism ensures complete crimp cycle
- Emergency only ratchet release
- Terminal/wire positioning aids & Ins. adjustment on most tools
- Ergonomic non-slip handles
- Approximate weight 0.59 kg (1.3 lbs)



Part Number	Description	mm <sup>2</sup> (AWG) or other
1901600-1	PIDG STRATO-THERM Terminals & Splices	1.0 - 1.5 (18-16)
1901611-1	PIDG STRATO-THERM Terminals & Splices	0.2 - 0.6 (24-20)

*Only the most popular options are listed here, please use our online search by terminal PN to find the right tool for your application, and contact us where information is unclear or missing - there may well be something available for your requirement.*

## CERTI-CRIMP II SAHT - Head Adapter (Square)

Head only for use with Power Assist options

*Image representative of type only*

### Features:

- Fixed Dies
- Straight action jaw closure
- Ratchet mechanism ensures complete crimp cycle
- Emergency only ratchet release
- Terminal/wire positioning aids & Ins. adjustment on most tools

Use with:

- 1213805-[ ] Battery Tool Kit
- 1213860-[ ] Adapter, Electric Terminator

Part Number	Description	mm <sup>2</sup> (AWG) or other
1-1901600-2	PIDG STRATO-THERM Terminals & Splices	1.0 - 1.5 (18-16)
1-1901611-1	PIDG STRATO-THERM Terminals & Splices	0.2 - 0.6 (24-20)

*Only the most popular options are listed here, please use our online search by terminal PN to find the right tool for your application, and contact us where information is unclear or missing - there may well be something available for your requirement.*

## CERTI-CRIMP II SA Battery Tool Kit

Convert your existing Hand Tools into Powered!

- 1213805-2 - Kit only without Head
- 1213805-5 - Kit only without Head (GB Power Plug)

*Image representative of type only*

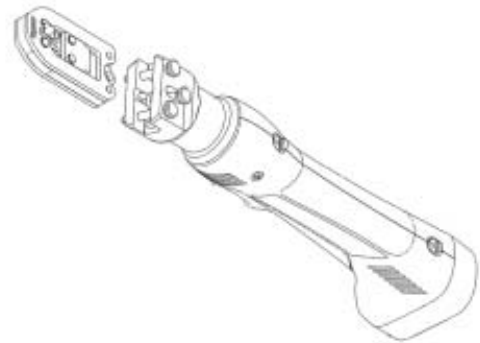
### Features:

Heads can be removed from Hand Tools, or are also available as a [-3] option.  
 Example 91500-1 CERTI-CRIMP II SAHT; handles can be removed and the head used with this kit. Alternatively 91500-3 (head only) is also available.

Over 100 crimps per charge  
 Compact - only 360mm (14") long and weighs 1.57kg (3.48lbs)

The Tool Kit is supplied in a durable plastic carry case and includes:  
 Battery Tool with the relevant CERTI-CRIMP II SAHT Adapter  
 Battery Charger 230 v  
 Two Batteries

for more information, please see the Power Assist section



## Adapter - CERTI-CRIMP II to Electric Terminator

1213860-1 - Adapter only

*Image representative of type only*

### Features:

For use with Electric Terminators (1673677-2 or 1490076-2) and any CERTI-CRIMP II SAHT Head.

Heads can be removed from Hand Tools, or are also available as a [-3] option.  
 Example 91500-1 CERTI-CRIMP II SAHT; the head can be removed from the handles and used along with this adapter on the Electric Terminator . Alternatively 91500-3 (head only) is also available.



## Double Action Hand Tool

**onlinecomponents.com**  
THE ONLINE DISTRIBUTOR OF ELECTRONIC COMPONENTS

Note: The approvals shown against the tools listed are only applicable when using terminals and wires recommended for the relevant industry.

*Image representative of type only*

Widely used in Aircraft and Military applications

### Features:

- Fixed dies
- Ratchet mechanism ensures complete crimp cycle
- Emergency only ratchet release
- Terminal/wire positioning aids & Ins. adjustment on many tools
- Ergonomic non-slip handles
- Approximate weight 0.54 kg (1.2 lbs)



Part Number	Description	mm <sup>2</sup> (AWG) or other
45216	PIDG Closed End Splice	1.0 - 1.5 (18-16)
90009-8	Special GB Railways PIDG FASTON Tool Qualifications: LUL RSE 024 pt6 & EE6161	1.5 - 2.5 (16-14)
90035-3	Special GB Railways PIDG FASTON Tool Qualifications: LUL RSE 024 pt6 & EE6161	0.4 - 1.0 (22-18)
482930-1	Special French tool for PIDG FASTON 2.8 (.110) with crimp orientation at 90° Marks the applied product with a one dot indent code.	0.15 - 0.4 (26-22)
46121	Standard Tool for PIDG Terminals & Splices; PLASTI-GRIP Butt Splices Qualifications: Mil-T-7928; LUL RSE 024 pt6 & EE6161 Marks the applied product with a one dot indent code	0.15 - 0.4 (26-22)
47386	Standard Tool for PIDG & PLASTI-GRIP Terminals and PIDG Splices - GB Railways Qualifications: Mil-T-7928/7; LUL RSE 024 pt6 & EE6161 Marks the applied product with a one dot indent code.	0.4 - 1.5 (22-16) Ins. Ø3.18mm max
47386-5	French PIDG & PLASTI-GRIP Ring Tongue Tool - includes French Instruction Sheet Meets Mil-T-7928 - AMP specified level Marks the applied product with a one dot indent code.	0.4 - 1.5 (22-16)
47387	Standard Tool for PIDG & PLASTI-GRIP Terminals and Splices - GB Railways Qualifications: Mil-T-7928; LUL RSE 024 pt6 & EE6161 Marks the applied product with a two dot indent code.	1.25 - 2.0 (16-14) 0.6 - 1.5 (20-16) HD Ins. Ø3.8mm1 max
525690	Special GB Aerospace PIDG & PLASTI-GRIP Ring Tongue Tool. Equivalent to 47386 but has special retaining pins/rings to reduce the risk of tool parts falling off whilst building and maintaining aircraft.	0.6 - 1.0 (20-18)
525691	Special GB Aerospace PIDG & PLASTI-GRIP Ring Tongue Tool. Equivalent to 47387 but has special retaining pins/rings to reduce the risk of tool parts falling off whilst building and maintaining aircraft.	1.5 - 2.5 (16-14)
47386-4	GB Special for PIDG & PLASTI-GRIP Ring Tongue's & FASTON's Meets Mil-T-7928 - AMP specified level for Ringtongues only Marks the applied product with a one dot indent code.	0.4 - 1.5 (22-16)
47387-7	GB Special for PIDG & PLASTI-GRIP Ring Tongue's and FASTON's: Meets Mil-T-7928 - AMP specified level for Ring Tongues only Marks the applied product with a two dot indent code.	1.5 - 2.5 (16-14) 0.6 - 1.5 (20-16) HD
46447	SOLISTRAND High Temp Terminals and Splices	0.4 - 6.0 (22-10)
49592	Standard Tool for SOLISTRAND Terminals & Splices Qualifications: Mil-T-7928	2.5 - 4.0 (14-12)
49935	Standard Tool for SOLISTRAND Terminals and Splices Qualifications: Mil-T-7928; LUL RSE 024 pt6 & EE6161	0.4 - 6.0 (22-10)
69363	Standard tool for SOLISTRAND Terminals & Splices Qualifications: Mil-T-7928; LUL RSE 024 pt6 & EE6161	0.15 - 0.6 (26-20)
525693	Special tool for SOLISTRAND Terminals & Splices (GB) Qualifications: Mil-T-7928; LUL RSE 024 pt6 & EE6161 Equivalent to 49935 but has special retaining pins/rings to reduce the risk of tool parts falling off whilst building and maintaining aircraft.	0.4 - 6.0 (22-10)
46673	STRATO-THERM Uninsulated Terminals & Splices	0.4 - 1.5 (22-16)
46673-1	STRATO-THERM Uninsulated Terminals & Splices without Insulation Support	0.4 - 1.5 (22-16)

*Only the most popular options are listed here, please use our online search by terminal PN to find the right tool for your application, and contact us where information is unclear or missing - there may well be something available for your requirement.*

**Double Action Hand Tool Battery Tool Kit**

Convert your existing Hand Tools into Powered!

1213804-2 - Kit only without Head

1213804-5 - Kit only without Head (GB Power Plug)

*Image representative of type only*

**Features:**

Example 47386 DAHT; handles can be removed and the head used with this kit.

Over 100 crimps per charge

Compact - only 360mm (14") long and weighs 1.57kg (3.48lbs)

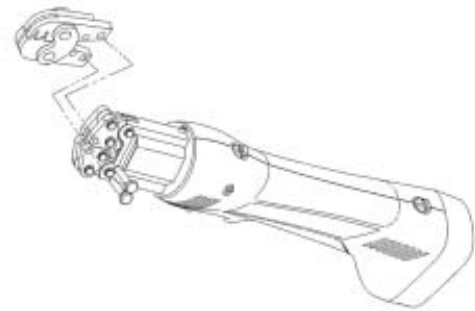
The Tool Kit is supplied in a durable plastic carry case and includes:

Battery Tool with the relevant DAHT Adapter

Battery Charger 230 v

Two Batteries

for more information, please see the Power Assist section



**Adapter - Double Action Hand Tool to 626 Pneumatic**

1213563-1 - Adapter only

*Image representative of type only*

**Features:**

Heads can be removed from Hand Tools, example: the Handles from 47386 can be removed and the head used with this Adapter (includes cam).

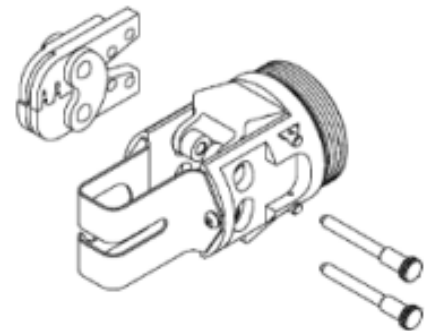
Also required:

Hand held power unit 189721-1

or

Foot actuated Power Unit 189722-1

for more information, please see the Power Assist section



## C-Head SAHT

**onlinecomponents.com**  
THE ONLINE DISTRIBUTOR OF ELECTRONIC COMPONENTS

69710-1 - Base Tool without Die-set  
Widely used in Aircraft and Military applications  
Can be used with all C-Head SAHT Dies

*Image representative of type only*

### Features:

Interchangeable Dies  
Straight action jaw closure  
Ratchet mechanism ensures complete crimp cycle  
Emergency only ratchet release  
Approximate weight 0.86 kg (1.9 lbs)



## C-Head SAHT - LD

1901260-1 Base Tool without Die-set  
A light duty alternative to 69710-1  
Can be used with all C-Head SAHT Dies EXCEPT:  
- Die-set - C-Head SAHT - HD  
- Through Splice applicatons

*Image representative of type only*

### Features:

Interchangeable Dies  
Straight action jaw closure  
Ratchet mechanism ensures complete crimp cycle  
Emergency only ratchet release  
Ergonomic non-slip handles  
Approximate weight 0.5 kg (1.1 lbs)



## Die-set - C-Head SAHT

**onlinecomponents.com**  
THE ONLINE DISTRIBUTOR OF ELECTRONIC COMPONENTS

A range of Die-sets for many premium crimp applications

*Image representative of type only*

### Features:

Use in:

Hand Tool Frame 69710-1

Hand Tool Frame 1901260-1 (see restrictions)

### Battery Tool Kits:

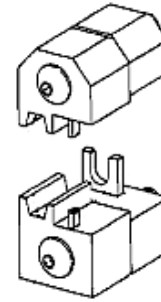
Open Head 1213840-[ ]

Closed Head 1213819-[ ]

### Adapters for C-Head Dies:

Electric Terminator 1901556-1

Press SSC- 2FP 8-1481221-3



Part Number	Description	mm <sup>2</sup> (AWG) or other
58212-1	AMPLIMITE	RG 142, 142A, 142B
576711	PIDG STRATO-THERM Terminals & Splices	0.2 - 0.4 (24-22)
576714	PIDG STRATO-THERM	1.5 (16)
576715	PIDG STRATO-THERM	1.0 (18)
576720	PIDG STRATO-THERM	0.5 (22)
47807-1	PIDG, PLASTI-GRIP Terminals & Splices	1.5 - 2.5 (16-14)
47806-2	PIDG, PLASTI-GRIP, Terminals & Splices	0.4 - 1.5 (22-16)
1-539634-9	Pin 50 ohm, size 8 kit	Gore Cable Type: GSC-03-81748-00

*Only the most popular options are listed here, please use our online search by terminal PN to find the right tool for your application, and contact us where information is unclear or missing - there may well be something available for your requirement.*

## Die-set - C-Head SAHT - HD

A range of Heavy Duty Die-sets for many premium crimp applications

*Image representative of type only*

### Features:

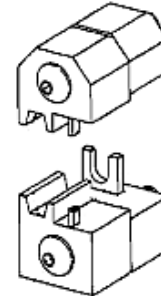
Use in:

Hand Tool Frame 69710-1

### Adapters for C-Head Dies:

Electric Terminator 1901556-1

Press SSC- 2FP 8-1481221-3



Part Number	Description	mm <sup>2</sup> (AWG) or other
59993-1	AMPLIMITE	8 (10)
576716	PIDG STRATO-THERM Terminals & Splices	2.5 (14)
576723	PIDG STRATO-THERM Terminals & Splices	6.0 (10)
576742	PIDG STRATO-THERM Terminals & Splices	4.0 (12)
69735	PIDG STRATO-THERM Terminals & Splices	4.0 - 6.0 (12-10)
47808-6	PIDG, PLASTI-GRIP Terminals & Splices	4.0 - 6.0 (12-10)
90140-1	TYPE XII Contact	6.0 - 10.0 (10-8)
90145-1	TYPE XII Contact	2.5 - 4.0 (14-12)
58380-1	Universal MATE-N-LOK	3.0 (12)
58380-2	Universal MATE-N-LOK	5.0 (10)

*Only the most popular options are listed here, please use our online search by terminal PN to find the right tool for your application, and contact us where information is unclear or missing - there may well be something available for your requirement.*

**C-Head SAHT Battery Tool Kit** onlinecomponents.com  
THE ONLINE DISTRIBUTOR OF ELECTRONIC COMPONENTS

- 1213819-2 - CLOSED head
- 1213819-5 - CLOSED head (GB Power Plug)
- 1213840-2 - OPEN head
- 1213840-5 - OPEN head (GB Power Plug)

*Image representative of type only*

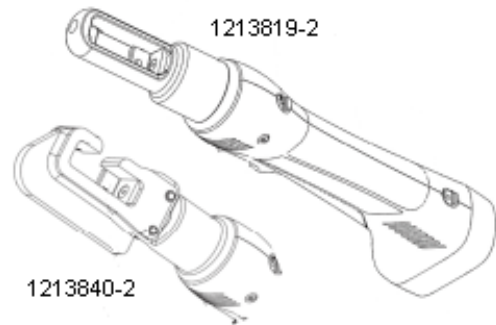
**Features:**

Over 100 crimps per charge  
 Compact - only 360mm (14") long and weighs 1.57kg (3.48lbs)

The Tool Kit is supplied in a durable plastic carry case and includes:

- Battery Tool with the relevant C-Head SAHT Adapter
- Battery Charger 230 v
- Two Batteries

for more information, please see the Power Assist section



**Adapter - C-Head SAHT to Bench Press SSC-2FP**

8-1481221-3 - Adapter only

**Features:**

Adapts Bench Top Press SSC- 2FP (1481004-7 pictured) to take C-Head SAHT Dies

for more information on the Press and Press options, please see the Power Assist section

*Image representative of type only*



**Adapter - C-Head SAHT to Electric Terminator**

1901556-1 - Adapter only

**Features:**

Adapts the Electric Terminator to take C-Head SAHT Dies

for more information on the Press and Press options, please see the Power Assist section

*Image representative of type only*





## Heavy Head Hand Tool

**onlinecomponents.com**  
THE ONLINE DISTRIBUTOR OF ELECTRONIC COMPONENTS

Note: The specifications shown against the tools listed are only applicable when using terminals recommended for the relevant industry  
Widely used in Aircraft and Military applications

*Image representative of type only*

### Features:

- Fixed dies
- Straight action jaw closure
- Ratchet mechanism ensures complete crimp cycle
- Emergency only ratchet release
- Terminal/wire positioning aids & Ins. adjustment on most tools
- Approximate weight 0.95 kg (2.1 lbs)



Part Number	Description	mm <sup>2</sup> (AWG) or other
234170-1	AMP DYNAMIC D-5	1.5 - 2.5 (16-14)
234171-1	AMP DYNAMIC D-5	4.0 - 6.0 (12-10)
1366044-1	AMP DYNAMIC D-5 Receptacle	8.0 (10) Ins. Ø4.9-7.8mm
90246-1	Standard tool for PIDG FASTON	2.5 - 4.0 (14-12)
90276-2	Special GB Railways PIDG FASTON Tool Qualifications: LUL RSE 024 pt6 & EE6161	4.0 - 6.0 (12-10)
484364-1	PIDG STRATO-THERM Terminals & Splices	1.0 (18)
576782	Special GB Aerospace tool for thin-wall PIDG STRATO-THERM Terminals & Splices Qualified to BS 4G178	2.5 (14)
576783	Special GB Aerospace tool for thin-wall PIDG STRATO-THERM Terminals & Splices Qualified to BS 4G178	4.0 (12)
576784	Special GB Aerospace tool for thin-wall PIDG STRATO-THERM Terminals & Splices with PTFE or PEEK thin-wall Insulation Qualified to BS 4G178	6.0 (10)
576778	Special GB Aerospace tool for thin-wall PIDG STRATO-THERM Terminals & Splices Qualified to BS 4G178	0.2 - 0.4 (24-22)
576779	Special GB Aerospace tool for thin-wall PIDG STRATO-THERM Terminals & Splices Qualified to BS 4G178	0.5 (22)
576780	Special GB Aerospace tool for thin-wall PIDG STRATO-THERM Terminals & Splices Qualified to BS 4G178	1.0 (18)
576781	Special GB Aerospace tool for thin-wall PIDG STRATO-THERM Terminals & Splices Qualified to BS 4G178	1.5 (16)
59287-2	PIDG, PLASTI-GRIP Large Expansion Terminals & Splices	4.0 - 6.0 (12-10) (16-14) HD
525692	Special GB Aerospace PIDG & PLASTI-GRIP Ring Tongue Tool. Equivalent to 59239-4 but has special retaining pins/rings to reduce the risk of tool parts falling off whilst building and maintaining aircraft.	4.0 - 6.0 (12-10)
59239-4	Standard Tool for PIDG & PLASTI-GRIP Terminals and Splices - GB Railways Qualifications: Mil-T-7928; LUL RSE 024 pt6 & EE6161 Marks the applied product with a one dot indent code.	3.0 - 5.0 (12-10) 1.5 - 2.5 (16-14) HD Ins. Ø5.84mm max
69322-1	SOLISTRAND High Temp Parallel Splice	0.4 - 6.0 (22-10)
69355	SOLISTRAND Terminals & Splices	10.0 (8)
59461	STRATO-THERM Uninsulated Terminals & Splices with Insulation Support	4.0 - 6.0 (12-10) (16-14) HD
90382-2	TYPE XII Contact	1.5 - 4.0 (16-12)
90384-1	TYPE XII Contact	6.0 - 10.0 (10-8)

*Only the most popular options are listed here, please use our online search by terminal PN to find the right tool for your application, and contact us where information is unclear or missing - there may well be something available for your requirement.*

## Heavy Head Hand Tool Battery Tool Kit

Convert your existing Hand Tools into Powered!

1901235-2 - Kit only without head

1901235-5 - Kit only without head (GB Power Plug)

*Image representative of type only*

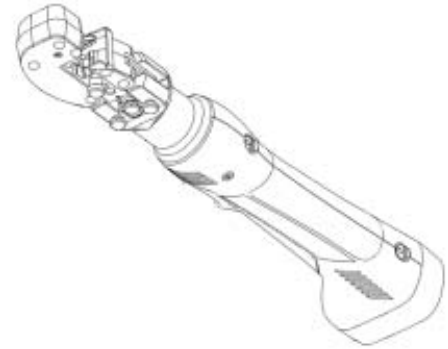
### Features:

Heads can be removed from many Heavy Head Hand Tools, example:  
 the Handles from 59239-4 can be removed and the head used with this kit.  
 See Instruction sheet 409-10068 for a list of compatible tools

Over 100 crimps per charge  
 Compact - only 360mm (14") long and weighs 1.57kg (3.48lbs)

The Tool Kit is supplied in a durable plastic carry case and includes:  
 Battery Tool with Heavy Head Adapter  
 Battery Charger 230 v  
 Two Batteries

for more information, please see the Power Assist section



## Adapter - Heavy Head to 626 Pneumatic

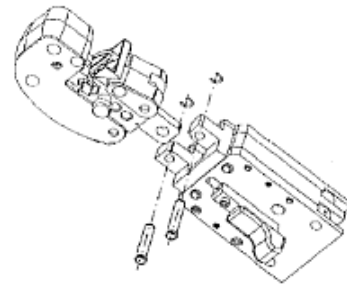
525432-1 - Adapter only

*Image representative of type only*

### Features:

Heads can be removed from Hand Tools, example:  
 the Handles from 59239-4 can be removed and the head used with this Adapter on the 626 Pneumatic system.

Also required:  
 Adapter Holder with Ratchet 356304-1  
 or Adapter Holder without Ratchet 189928-1  
 and  
 Hand held power unit 189721-1  
 or Foot actuated Power Unit 189722-1



## CERTI-LOK

**onlinecomponents.com**  
THE ONLINE DISTRIBUTOR OF ELECTRONIC COMPONENTS

169400 Base Tool without Die-set

*Image representative of type only*

### Features:

- Interchangeable Dies
- Straight action jaw closure
- Ratchet mechanism ensures complete crimp cycle
- Easy access ratchet release
- Handle pressure adjustment with locking device
- Ergonomic non-slip handles
- Approximate weight 0.64 kg (1.4 lbs)



Part Number	Description	mm <sup>2</sup> (AWG) or other
656075-1	Complete tool for LOCKING CLIP	0.03 - 0.56 (32-20)
169404	Die-set for PIDG, PLASTI-GRIP Terminals & Splices Use in Hand Tool Frame 169400 GB Railways PIDG & PLASTI-GRIP Tool (Signal only) Meets; Mil-T 7928 F, VG 88720, DIN 41611	0.6 - 6.0 (20-10)
169409	Die-set for SOLISTRAND Terminals & Splices Use in Hand Tool Frame 169400	0.4 - 6.0 (22-10)

*Only the most popular options are listed here, please use our online search by terminal PN to find the right tool for your application, and contact us where information is unclear or missing - there may well be something available for your requirement.*

## Adapter - CERTI-LOK to Electric Terminator

169411 - Adapter only

*Image representative of type only*

### Features:

Adapts the Electric Terminator to take CERTI-LOK Dies

for more information on the Press and Press options, please see the Power Assist section



## Reel-Fed CERTI-LOK

**onlinecomponents.com**  
THE ONLINE DISTRIBUTOR OF ELECTRONIC COMPONENTS

A unique tool that applies terminals from special small reels

### Features:

- Terminal feeding and cutting device
- Straight action jaw closure
- Ratchet mechanism ensures complete crimp cycle
- Easy access ratchet release
- Handle pressure adjustment with locking device
- Ergonomic non-slip handles

*Image representative of type only*



Part Number	Description	mm <sup>2</sup> (AWG) or other
169424-1	AMPLIMITE HD-20	0.08 - 0.56 (28-20) Ins. Ø0.76-1.52mm
734643-1	AMPLIVAR	
734203-1	AMPMODU IV	0.12 - 0.14 (26)
734204-1	AMPMODU IV	0.2 - 0.56 (24-20)
734870-1	MICRO MATCH COSI contact	0.2 - 0.6 (24-20)
734870-2	MICRO MATCH COSI contact	0.08 - 0.2 (28-24)
539608-1	MODU II	0.02 - 0.20 (32-24)
734216-1	TYPE III+	0.2 - 1.5 (24-16) Ins. Ø1.1-2.5mm

*Only the most popular options are listed here, please use our online search by terminal PN to find the right tool for your application, and contact us where information is unclear or missing - there may well be something available for your requirement.*

## PEZ 100

539717-1 - Base Tool without Die-set

1579000-1 - Base Tool without Die-set Long Handles

*Image representative of type only*

### Features:

- Interchangeable Dies
- Flap type terminal locator
- Straight action jaw closure
- Ratchet mechanism ensures complete crimp cycle
- Easy access ratchet release
- Handle pressure adjustment with locking device
- Ergonomic non-slip handles



Part Number	Description	mm <sup>2</sup> (AWG) or other
1579002-6	PIDG STRATO-THERM	0.2 - 0.4 (24-22)
1579002-7	PIDG STRATO-THERM	1.0 - 2.5 (18-14)
7-1579001-2	POSITIVE-LOK	0.35 - 0.75 (24-18)
7-1579001-3	POSITIVE-LOK	0.5 - 0.75 (22-20)
7-1579001-4	Die-set for Ring Tongue (similar to DIN 46225)	1.0 - 2.5 (18-14) Ins. Ø2.1-3.1mm

*Only the most popular options are listed here, please use our online search by terminal PN to find the right tool for your application, and contact us where information is unclear or missing - there may well be something available for your requirement.*

## ERGOCRIMP

**onlinecomponents.com**  
THE ONLINE DISTRIBUTOR OF ELECTRONIC COMPONENTS

539635-1 Base Tool without Die-set

*Image representative of type only*

Note: This tool is not compatible with SDE Dies

### Features:

- Interchangeable Dies
- Virtually a straight action jaw closure
- Ratchet mechanism ensures complete crimp cycle
- Easy access ratchet release
- Handle pressure adjustment with locking device
- Ergonomic non-slip handles
- Approximate weight 0.59 kg (1.3 lbs)



Spare parts Kit 539635-2 (excluding main spring)  
 Main Spring PN 1579005-1

Part Number	Description	mm <sup>2</sup> (AWG) or other
9-1579004-6	MCON 2.8 Receptacle	0.2 - 0.35 (24-22) Ins. Ø1.15-1.4mm
9-1579004-8	MCON 2.8 Receptacle	1.5 - 2.5 (16-14) Ins. Ø2.2-3.0mm
9-1579004-9	MCON 2.8 Receptacle	4.0 (12)

*Only the most popular options are listed here, please use our online search by terminal PN to find the right tool for your application, and contact us where information is unclear or missing - there may well be something available for your requirement.*

## Die-set - ERGOCRIMP

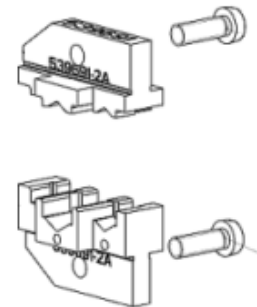
Widely used in the Automotive industry

*Image representative of type only*

### Features:

Use in:  
 Hand Tool Frame 539635-1

1285003-1 - Head for the 626 Pneumatic System  
 1579000-7 - Adapter for Bench Top Press SSC- 2FP (1481004-7)  
 for more information please see the Power Assist section



Part Number	Description	mm <sup>2</sup> (AWG) or other
4-1579001-1	AMP MCP 1.2-LL	1.0 - 1.5 (18-16)
4-1579001-2	AMP MCP 1.2-LL	0.5 - 0.75 (22-20)
4-1579001-3	AMP MCP 1.2-LL	0.25 - 0.35 (24-22)
4-1579001-4	AMP MCP 1.2-LL	0.14 - 0.22 (26-24)
4-1579001-5	AMP MCP 1.2-LL (SWS)	1.0 - 1.5 (18-16)
4-1579001-6	AMP MCP 1.2-LL (SWS)	0.75 - 1.0 (20-16)
4-1579001-7	AMP MCP 1.2-LL (SWS)	0.2 - 0.35 (24-22)
4-1579001-8	AMP MCP 1.2-LL (SWS)	0.14 - 0.22 (26-24)
539950-2	AMP MCP 1.5k; AMP MCP 1.5k (SWS)	0.2 - 1.0 (24-18)
539691-2	PIDG, PLASTI-GRIP - All Types	0.4 - 6.0 (22-10)
6-1579001-6	SOLARLOK	1.5 - 6.0 (16-10)
6-1579001-7	SOLARLOK	4.0 - 6.0 (12-10)
539662-2	SOLISTRAND Terminals & Splices	0.3 - 6.6 (24-10)

*Only the most popular options are listed here, please use our online search by terminal PN to find the right tool for your application, and contact us where information is unclear or missing - there may well be something available for your requirement.*

## Tetra-Crimp Hand Tool

**onlinecomponents.com**  
THE ONLINE DISTRIBUTOR OF ELECTRONIC COMPONENTS

58078-3 - Base Tool without Die-set

### Features:

- Interchangeable Dies
- Ratchet mechanism ensures complete crimp cycle
- Tamper proof ratchet release setting
- Emergency ratchet release feature
- Terminal loactor / support and wire stop on many tools
- Approximate weight 0.64 kg (1.4 lbs)
- Ergonomic non-slip handles

*Image representative of type only*



Part Number	Description	mm <sup>2</sup> (AWG) or other
59824-1	Complete Tool for PIDG, PLASTI-GRIP Terminals & Splices Meets UL requirements	0.4 - 6.0 (22-10)
58052-3	Die-set for ULTRA FAST Use In Hand Tool Frame 58078-3	0.15 - 0.4 (26-22)
90390-3	Die-set for ULTRA FAST (including Flag Terminals) Use In Hand Tool Frame 58078-3	0.4 - 1.0 (22-18)
90391-3	Die-set for ULTRA FAST (including Flag Terminals) Use In Hand Tool Frame 58078-3	1.5 - 2.5 (16-14)
58079-3	Die-set for ULTRA FAST PLUS Use In Hand Tool Frame 58078-3	0.4 - 1.0 (22-18)
58080-3	Die-set for ULTRA FAST PLUS Use In Hand Tool Frame 58078-3	1.5 - 2.5 (16-14)

*Only the most popular options are listed here, please use our online search by terminal PN to find the right tool for your application, and contact us where information is unclear or missing - there may well be something available for your requirement.*

## Mini CERTI-LOK

**onlinecomponents.com**

THE ONLINE DISTRIBUTOR OF ELECTRONIC COMPONENTS

A light weight and compact tool for many commercial applications

*Image representative of type only*

### Features:

- Fixed dies
- Straight action jaw closure
- Ratchet mechanism ensures complete crimp cycle
- Easy access ratchet release
- Handle pressure adjustment with locking device
- Easy terminal positioning with 'Flap Locator' (some tools)
- Ergonomic non-slip handles
- Approximate weight 0.46 kg (1.0 lbs)



Part Number	Description	mm <sup>2</sup> (AWG) or other
1579004-2	110 FASTIN-ON	0.5 - 1.5 (22-16)
169341-1	AMPLIMITE HD-20 (Spare Terminal Locator 4-539785-7)	0.03 - 0.56 (32-20) Ins. Ø0.5-1.5mm
734360-1	AMPLIMITE HD-22	0.08 - 0.4 (28-22)
169481-1	AMPMODU IV (Spare Terminal Locator 4-539785-8)	0.03 - 0.56 (32-20) Ins. Ø0.5-1.4mm
734202-1	Mini-Universal MATE-N-LOK	0.4 - 1.0 (22-18)
734218-1	MODULAR PLUG	4 Posn
734218-2	MODULAR PLUG	6 Posn
734218-3	MODULAR PLUG	8 Posn
734218-4	MODULAR PLUG	6 Posn off-set
539645-1	MQS Ø1.0mm	0.35 - 0.5 (24-22)
169994-1	POSITIVE-LOK 4.8 mm	0.2 - 0.6 (24-20)
169481-2	TANDEM-SPRING (Spare Terminal Locator 4-539785-9)	0.03 - 0.56 (32-22)
169480-1	TYPE 'F' Crimp-on Snap-in	0.05 - 1.5 (30-16)
169475-1	TYPE III+	0.03 - 0.56 (32-20)
169422-1	TYPE III+; CI-2 Socket	0.75 - 2.5 (20-14) Ins. Ø2.0-3.8mm
1579004-4	Wire End Ferrules	0.08 - 10.0 (28-8)

*Only the most popular options are listed here, please use our online search by terminal PN to find the right tool for your application, and contact us where information is unclear or missing - there may well be something available for your requirement.*

## Modular Mini CERTI-LOK

**onlinecomponents.com**  
THE ONLINE DISTRIBUTOR OF ELECTRONIC COMPONENTS

Based on the Mini Certi-Lok tool  
2-1579005-1 Short handle assembly  
2-1579005-2 Long handle assembly

*Image representative of type only*

### Features:

Heads with identical features to the Mini Certilok tool

Choice of two handle lengths:

2-1579005-1 Short Handle  
2-1579005-2 long Handle

Interchangerbility via snap-in pins.



Part Number	Description	mm <sup>2</sup> (AWG) or other
2-1579021-8	Head only for 4.2mm PE Series	0.15 - 1.0 (26-18)
1579001-8	Head only for FFC to MQS	0.35 - 0.5 (24-22)
5-1579001-8	Complete tool for MQS (SWS)	0.5 - 0.75 (22-20)
1579001-9	Head only for Pin/Socket Ø2.5	1.5 - 2.5 (16-14)
7-1579001-8	Head only for SOLARLOK	1.5 - 2.5 (16-14)
7-1579001-9	Head only for SOLARLOK	4.0 - 6.0 (12-10)
1-1579004-1	Complete tool for SOLARLOK with Long Handle assembly	1.5 - 2.5 (16-14)
1-1579004-2	Complete tool for SOLARLOK with Long Handle assembly	4.0 - 6.0 (12-10)

*Only the most popular options are listed here, please use our online search by terminal PN to find the right tool for your application, and contact us where information is unclear or missing - there may well be something available for your requirement.*

## C-Frame Hand Tool

6-1419172-9 - Base Tool without Die-set

*Image representative of type only*

### Features:

Interchangeable Dies  
Double action jaw closure  
Ratchet mechanism ensures complete crimp cycle  
Easy access ratchet release  
Handle pressure adjustment with locking device  
Egonomic non-slip handles  
Approximate weight 0.55 kg (1.2 lbs)



Part Number	Description	mm <sup>2</sup> (AWG) or other
1583684-1	Die-set for ADK Series Back Shell Use in Hand Tool frame 6-1419172-9	6.0 mm Cable Dia Max
1583684-2	Die-set for ADK Series Back Shell Use in Hand Tool frame 6-1419172-9	7.5 mm Cable Dia Max
1583684-3	Die-set for ADK Series Back Shell Use in Hand Tool frame 6-1419172-9	8.5 mm Cable Dia Max
1583684-4	Die-set for ADK Series Back Shell Use in Hand Tool frame 6-1419172-9	9.5 mm Cable Dia Max
948761-2	Complete tool for HDE 20 Ferrule	9-15-25 WAY 8.2MM I/D
948761-1	Complete tool for HDE20 Ferrule	9-15-25 WAY 6.25MM I/D
948761-3	Complete tool for HDE20 Ferrule	9-15-25 WAY 9.5MM I/D
734566-1	Complete tool for N Series 50 & 70 ohm	

*Only the most popular options are listed here, please use our online search by terminal PN to find the right tool for your application, and contact us where information is unclear or missing - there may well be something available for your requirement.*



## D-Frame Tool

**onlinecomponents.com**  
THE ONLINE DISTRIBUTOR OF ELECTRONIC COMPONENTS

*Image representative of type only*

### Features:

- Fixed Die-sets
- Small and lightweight
- Ratchet mechanism ensures complete crimp cycle
- Easy access ratchet release
- Handle pressure adjustment with locking device
- Ergonomic non-slip handles
- Approximate weight 0.55 kg (1.2 lbs)



Part Number	Description	mm <sup>2</sup> (AWG) or other
947488-1	Coax - BNC, TNC	Cable Dia 5 & 6mm
947679-1	HE 13 / 14 Crimp-on Snap-in	0.08 - 0.2 (28-24)
2-1579002-0	Wire Wire End Ferrules (Square crimp form)	0.5 - 6.0 (22-10)

*Only the most popular options are listed here, please use our online search by terminal PN to find the right tool for your application, and contact us where information is unclear or missing - there may well be something available for your requirement.*

## Trapezium Crimp Tool

Special Trapezium crimp tool for Wire End Ferrule applications

*Image representative of type only*

### Features:

- Ratchet mechanism ensures complete crimp cycle
- Easy access ratchet release
- Handle pressure adjustment with locking device
- Ergonomic non-slip handles



Part Number	Description	mm <sup>2</sup> (AWG) or other
734641-2	Wire End Ferrules (trapezium crimp form)	0.14 - 6.0 (26-10)
734641-3	Wire End Ferrules (trapezium crimp form)	0.5 - 10 (22-6)
734641-4	Wire End Ferrules (trapezium crimp form)	10.0 - 16.0 (8-6)

*Only the most popular options are listed here, please use our online search by terminal PN to find the right tool for your application, and contact us where information is unclear or missing - there may well be something available for your requirement.*

## Square Crimp Tool

**onlinecomponents.com**  
THE ONLINE DISTRIBUTOR OF ELECTRONIC COMPONENTS

Special Square crimp tool for Wire End Ferrule applications

*Image representative of type only*

### Features:

- Ratchet mechanism ensures complete crimp cycle
- Easy access ratchet release
- Handle pressure adjustment with locking device
- Ergonomic non-slip handles



Part Number	Description	mm <sup>2</sup> (AWG) or other
539660-1	Wire Wire End Ferrules (square crimp form)	0.08 - 6.0 (28-10)
539661-1	Wire Wire End Ferrules (square crimp form)	0.75 - 10 (20-8)

*Only the most popular options are listed here, please use our online search by terminal PN to find the right tool for your application, and contact us where information is unclear or missing - there may well be something available for your requirement.*

## Service Tool

734790-1 - Base Tool without Die-set

*Image representative of type only*

### Features:

- Interchangeable Dies
- Ratchet mechanism ensures complete crimp cycle
- Easy access ratchet release
- Handle pressure adjustment with locking device
- Ergonomic non-slip handles
- Approximate weight 0.59 kg (1.3 lbs)



Part Number	Description	mm <sup>2</sup> (AWG) or other
1-1579004-5	Complete tool for FASTON; FASTIN-FASTON	0.1 - 6.0 (18-10)
2-1579021-3	Complete tool for FASTON; FASTIN-FASTON Use in Hand Tool 734790-1	0.5 - 6.0 (22-10)
734767-1	Micro TIMER I; Junior Power-TIMER 2.8 (SWS); CI-2 Use in Hand Tool 734790-1	0.5 - 2.5 (22-14)
1-1579004-4	Complete tool for PIDG, PLASTI-GRIP - All Types	0.5 - 6.0 (22-10)
2-1579021-2	Die-set for PIDG, PLASTI-GRIP - RBY all types Use in Hand Tool 734790-1	0.5 - 6.0 (22-10)
734768-1	Pin / Socket Ø1.5 (SWS) Use in Hand Tool 734790-1	0.5 - 2.5 (22-14)
1-1579004-6	Complete tool for SOLISTRAND Terminals & Splices	0.08 - 10.0 (28-8)
2-1579021-4	Die-set for SOLISTRAND Terminals & Splices Use in Hand Tool 734790-1	0.5 - 6.0 (22-10)
734658-1	Complete Tool for Wire End Ferrules	25.0 - 35.0 (4-2)
734658-2	Complete Tool for Wire End Ferrules	50 (1/0)
790081-2	Complete Tool for Wire End Ferrules	6.0 - 16.0 (10-6)
1-1579004-7	Complete Tool for Wire End Ferrules DIN 46228	0.14 - 6.0 (26-10)
2-1579021-5	Die-set for Wire End Ferrules DIN 46228 Use in Hand Tool 734790-1	0.14 - 6.0 (26-10)

*Only the most popular options are listed here, please use our online search by terminal PN to find the right tool for your application, and contact us where information is unclear or missing - there may well be something available for your requirement.*

**TERMI-POINT Hand Tool****onlinecomponents.com**  
THE ONLINE DISTRIBUTOR OF ELECTRONIC COMPONENTS**Features:**

Pneumatic options (pictured)  
Interchangeable Mandrels  
Terminals fed from Reel

*Image representative of type only*

Part Number	Description	mm <sup>2</sup> (AWG) or other
655032-1	Maxi TERMI-POINT	0.2 - 0.56 (24-20)
655136-3	STD TERMI-POINT	0.2 - 0.4 (24-22)
1-69411-3	Mandrel (red) for 69526-1 - Ins. Range Ø1.10 - 1.65 mm	0.2 (24)
1-69411-4	Mandrel (orange) for 69526-1 - Ins. Range Ø1.14 - 1.65 mm	0.4 (22)
1-69411-9	Mandrel (brown) for 69526-1 - Ins. Range Ø1.14 - 1.65 mm	0.15 (26)
69526-2	Hand Tool without Mandrel	0.08 - 0.4 (28-22)
69551-5	Mandrel (black) for 69526-1 - Ins. Range Ø1.14 - 1.65 mm	0.08 (28)
69551-6	Mandrel (brown) for 69526-1 - Ins. Range Ø0.56 - 1.14 mm	0.15 (26)
69551-8	Mandrel (orange) for 69526-1 - Ins. Range Ø0.87 - 1.23 mm	0.4 (22)
69551-9	Mandrel (red) for 69526-1 - Ins. Range Ø0.74 - 1.23 mm	0.2 (24)
69561	Mandrel (yellow) for 654182-1 - Ins. Range Ø1.17 - 1.65 mm	0.56 (22)
69561-1	Mandrel (yellow) for 654182-1 - Ins. Range Ø1.68 - 2.16 mm	0.56 (22)
69561-4	Mandrel (red) for 654182-1 - Ins. Range Ø1.17 - 1.65 mm	0.2 (24)
654182-1	Hand Tool without Mandrel	0.6 - 0.2 (20-24)
871087-1	Hand Tool (pneumatic) without Mandrel	0.6 - 0.2 (20-24)
871087-2	Hand Tool (pneumatic) without Mandrel	0.4 - 0.15 (22-26)
871295-1	Mandrel (yellow) for 871087-1 - Ins. Range Ø0.91 - 1.65 mm	0.56 (22)
871295-2	Mandrel (red) for 871087-1 - Ins. Range Ø0.86 - 1.65 mm	0.2 (24)
871295-3	Mandrel (orange) for 871087-2 - Ins. Range Ø0.91 - 1.65 mm	0.4 (22)
871295-4	Mandrel (red) for 871087-2 - Ins. Range Ø0.86 - 1.65 mm	0.2 (24)
871295-5	Mandrel (brown) for 871087-2 - Ins. Range Ø0.76 - 1.40 mm	0.15 (26)

*Only the most popular options are listed here, please use our online search by terminal PN to find the right tool for your application, and contact us where information is unclear or missing - there may well be something available for your requirement.*