

Online Hand Tool Catalogue

E.M.E.A

(Europe, the Middle East and Africa)



GLOBAL APPLICATION TOOLING DIVISION

www.tooling.tycoelectronics.com/europe

Introduction

Tyco Electronics recommends that hand powered tools are used only for repair or very low volume production use. Care must be taken not to use these types of tools continuously for prolonged periods as RSI (repetitive strain injury) may result. Tyco Electronics provides a wide range of powered equipment options where medium to high volumes are anticipated.

What you need to know about Terminals

Loose Piece

For a Terminal to be suitable for use in a hand tool it must be cut from the carrier strip it is manufactured on, and more importantly pre-formed.

We call this the loose piece (LP) version - this may have the same / different base PN and / or dash number than the strip version.

Pre-forming allows the short stroke of a hand tool to work and helps stabilise the terminal within the tool and form correctly during crimping

Terminal Types

Terminal type descriptions are very general and can be misleading if solely used to identify suitable tooling. It is strongly recommended that when searching for a tool for your application, you establish and use a specific Loose piece PN.

Terminal Wire Range

Each Terminal will have a specific wire range, this may be different for different dash numbers of the same base PN.

This will determine which wire / tool combinations that can be used with the terminal.

What you need to know about Hand Tools

The procedures in the relevant Instruction Sheet must be followed to achieve optimum crimp results

Tool Grade

A prime consideration when choosing the appropriate tool for an application.

Our hand tools are categorised into three levels; Service, Commercial and Premium, each level requiring less operator skill and care respectively to ensure a quality crimp.

A Service tool relies completely on the operator's skill to ensure that the terminal and wire are correctly positioned together and within the tool, and that the relevant specification crimp height is achieved every time.

A Commercial tool relies more on the operator's skill to ensure that the terminal and wire are correctly positioned together within the tool, but also has a ratchet or certi-crimp mechanism to ensure that that the relevant specification crimp height is achieved every time.

A Premium tool has terminal and wire positioning aids built in, along with a ratchet or certi-crimp mechanism to ensure that that all of the relevant specification parameters are met every time.

Wire Range

The overall wire range is also a prime consideration when choosing the appropriate tool for an application. Often there will be several tools referenced to the same product but having different wire ranges.

Tool Type

Choosing a tool type maybe driven by several factors; simply by type preference, or by the application needs itself ie a heavy duty crimp, industry specification requirements etc.

Choosing the right tool

1. Enter your Terminal PN into the search.
 2. Establish the wire sizes that you want to use within the terminal(s) wire range.
 3. Check the db for the tool options available for your PN - Nothing available? Then contact your nearest PIC.
 4. Choose a tool based on; tool type, wire range and tool grade that best suits your application.
-

Equipment Index:

Equipment Group

Equipment Type

SDE Equipment

Die-set - SDE Premium	See Page 6
Die-set - SDE (shoulder)	See Page 7
Die-set - SDE (pin)	See Page 8
SDE PRO-CRIMPER III	See Page 9
SDE PEW 12	See Page 9
SDE DA Hand Tool	See Page 10
SDE BATTERY TOOL Kit	See Page 10
SDE 626 Head	See Page 11
SDE Electric Terminator	See Page 11
SDE Bench Press Adapter	See Page 11

General Hand Tool Types

CERTI-CRIMP II SAHT	See Page 12
CERTI-CRIMP II SA Battery Tool Kit	See Page 13
Adapter - CERTI-CRIMP II to Electric Terminator	See Page 13
Double Action Hand Tool	See Page 14
Double Action Hand Tool Battery Tool Kit	See Page 15
Adapter - Double Action Hand Tool to 626 System	See Page 15
C-Head SAHT	See Page 16
Die-set - C-Head SAHT	See Page 16
C-Head SAHT Battery Tool Kit	See Page 17
Adapter - C-Head SAHT to Electric Terminator	See Page 17
Heavy Head Hand Tool	See Page 18
Heavy Head Hand Tool Battery Tool Kit	See Page 19
626 Adapter for Heavy Heads	See Page 19
CERTI-LOK	See Page 20
Adapter - CERTI-LOK to Electric Terminator	See Page 20
Reel-Fed CERTI-LOK	See Page 21
PEZ 100	See Page 21
Tetra-Crimp Hand Tool	See Page 22
ERGOCRIMP	See Page 22
Mini CERTI-LOK	See Page 23
Modular Mini CERTI-LOK	See Page 24
C-Frame Hand Tool	See Page 25
D-Frame Tool	See Page 25
Trapezium Crimp Tool	See Page 26
Square Crimp Tool	See Page 26
Service Tool	See Page 27
TERMI-POINT Hand Tool	See Page 28

Hand Tools for IDC Applications

Pistol Grip	See Page 29
Pistol Grip II	See Page 30
Pistol Grip III	See Page 30
Special Hand Tool for DUOPLUG 2.5	See Page 31
Hand Tool - ANSLEY 779-2100	See Page 31

Insertion / Extraction Tool Types

Standard Extraction Tool	See Page 32
Extraction Tool	See Page 33
Standard Insertion Tool	See Page 34
Insertion Tool	See Page 35
Tee Handled Insertion Tool	See Page 36

Heavy Duty Crimp Equipment & Accessories

ROTA-CRIMP Hand Tool	See Page 37
Bantam ROTA-CRIMP Hand Tool	See Page 37
Hydraulic Hand Tool - SOLISTRAND	See Page 37
'U' Die Assy	See Page 38
'U' Die Assy (14 ton)	See Page 39
'U' Die Nest	See Page 40
'U' Die Indenter	See Page 41
'U' Die 12 Ton Hydraulic Hand Tool	See Page 41
'U' Die 14 Ton Hydraulic Hand Tool	See Page 42
Hydraulic Head - SOLISTRAND	See Page 42
'U' Die 12 Ton Hydraulic Head	See Page 43
'U' Die 12 Ton Hydraulic Head - 1.5	See Page 43
Die-set - Hydraulic Head Open (Shank Die)	See Page 44
Hydraulic Head Open (Shank Die)	See Page 45
Hydraulic Head Open - Dyna-Crimp	See Page 45
Die-set - Hydraulic Head Closed (Shank Die)	See Page 46
Hydraulic Head Closed (Shank Die)	See Page 47
Hydraulic Head Closed - Dyna-Crimp	See Page 47
Die-set - Hydraulic Head Open (Shank Die H'Duty)	See Page 48
Hydraulic Head Open (Shank Die Heavy Duty)	See Page 48
Hydraulic Head Open (Heavy Duty) - Dyna-Crimp	See Page 49
Die-set - Hydraulic Head Closed (Shank Die H'Duty)	See Page 49
Hydraulic Head Closed (Shank Die Heavy Duty)	See Page 50
Hydraulic Head Closed (Heavy duty) - Dyna-Crimp	See Page 50
Electric Hydraulic Pump, heavy duty	See Page 51
Electric Hydraulic Pump, light duty	See Page 51
Hydraulic Hand Pump	See Page 52
Hydraulic Foot Pump	See Page 52
Battery-Hydraulic Tool 100 KN	See Page 53
Group Cutter	See Page 54
Cable Cutter 350 mcm	See Page 54
Cable Cutter 500 mcm	See Page 54
Cable Cutter 350 mcm with Ratchet	See Page 55
Cable Cutter 500 mcm with Ratchet	See Page 55
Cable Cutters SH Range	See Page 56

Contractor Tools

Corex Coax Stripper	See Page 57
Coax Cable Stripper	See Page 57
Oden - Cable Stripper	See Page 58
Cyclops - Cable Stripper	See Page 58
Economy Wire Stripper & Cutter	See Page 58
Tor - Rotary Cable Stripper	See Page 59
Rotary Cable Stripper	See Page 59
Embla - Automatic Wire Stripper	See Page 60
Automatic Wire Stripper	See Page 60
Die-cast Automatic Wire Stripper	See Page 61
Small Wire Cutters	See Page 61
KT 80 Cutting Tool	See Page 61
Cable Tie Gun	See Page 62
Non-impact Punch-down Tool	See Page 62
Impact Punch-down Tool	See Page 63
Premium Impact Punch-down Tool	See Page 63
Mod Jack Tool	See Page 64
Professional Hand Tool	See Page 65
Crimping Kit for Modular Plugs	See Page 66
Tone Generator	See Page 66
Tone Tracer	See Page 67
4-Pair Tester	See Page 67
Butt Set	See Page 67
SUPER CHAMP II	See Page 68
SUPER CHAMP FT	See Page 68
CRIMPAC CG	See Page 69
Die-set - SDE for Fibre Optic Connectors	See Page 69
Fibre Cleaver - S 315	See Page 69
Fibre Cleaver - Universal	See Page 70
Dual Purpose Butterfly Tool	See Page 70

Tools for Screw-machined Contacts

AF8	See Page 71
AFM8	See Page 72
FT8	See Page 72
M300 BT	See Page 73
M310	See Page 73

Industry / Product specific kits

Ampliset repair Kit	See Page 74
Service Kit 1	See Page 74
110 SL Starter Kit	See Page 74
110 SL & AMP TWIST 6S SL Installers Kit	See Page 75
Pistol Grip tool kit for 2mm FB + HM	See Page 75
Pistol Grip Kit for RV-100	See Page 75

Telecoms and Outside Plant

10 Pair Splicing Kit	See Page 76
25 Pair Splicing Kit	See Page 77
Crimping Pliers	See Page 77
Double Point Electrical Tester	See Page 78
Single Point Insertion Tool	See Page 78
10 Pair Separator Tool	See Page 78
Check Combe, 10 pair	See Page 79
Check Combe, 25 pair	See Page 79
Single Point Separator Tool	See Page 79
Splicing Head, 10 Pair with Pedestal Bar, 10 Pair	See Page 80
Splicing Head, 10 Pair	See Page 80
Splicing Head, 25 Pair	See Page 80

Die-set - SDE Premium

SDE stands for Standard Die Envelope, an innovation from Tyco Electronics that provides cost effective flexibility, through a common die outline - SDE dies can be used in several application platforms, including powered.

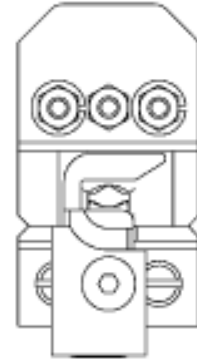
Features:

Use in:

SDE BATTERY TOOL (Kit) 1213890-2 for pin dies

SDE Electric Terminator 1490076-2

Note: The Specifications shown against the Dies listed are only applicable when using terminals and wires recommended for the relevant industry



Part Number	Description	mm ² (AWG) or other
91964-2	PIDG, PLASTIGRIP Terminals & Splices - equivalent crimp to 47386 Qualifications: Mil-T-7928; LUL RSE 024 pt6 & EE6161 Marks the applied product with a two dot indent code.	0.4 - 1.5 (22-16)
91963-2	PIDG, PLASTIGRIP Terminals & Splices - equivalent crimp to 47387 Qualifications: Mil-T-7928; LUL RSE 024 pt6 & EE6161 Marks the applied product with a two dot indent code.	1.5 - 2.5 (16-14) 0.6 - 1.5 (20-16) HD
91965-2	PIDG, PLASTIGRIP Terminals & Splices Qualifications: Mil-T-7928; LUL RSE 024 pt6 & EE6161 Marks the applied product with a two dot indent code.	4.0 - 6.0 (12-10)

All options not always listed, please use our online search by terminal PN (where appropriate) to minimise cross-referencing errors, and contact us where information is unclear or missing as there may well be something available for your application.

Die-set - SDE (shoulder)

SDE stands for Standard Die Envelope, an innovation from Tyco Electronics that provides cost effective flexibility, through a common die outline - SDE dies can be used in several application platforms, including powered.

Features:

For closed barrel terminals

Use in:

SDE PRO-CRIMPER III Hand Tool 354940-1

SDE PEW 12 Hand Tool 9-1478240-0

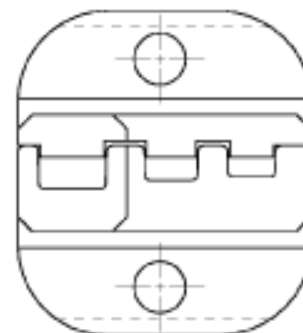
SDE DA Hand Tool 1213745-1

SDE BATTERY TOOL (Kit) 1725837-2/-5 for shoulder dies

SDE 626 Head 679304-1 + accessories

SDE Electric Terminator 1490076-2

SDE Bench Press Adapter 1579000-8 + Press 1481004-7



Part Number	Description	mm ² (AWG) or other
58433-2	Coax	RG 58, 59
58436-3	Coax	RG 174, 188, 316, 179, 161, 187
58536-1	Coax	RG 71 B
1424050-1	Coax	RG 174,188
9-1478242-0	Coax - GREENPAR	RG 55, 58, 59, 62, 140, 141,142, 210, 223, 400 URM 43, 70, 73, 76, 90, 301 Belden 9907 PSF 1/3M TM 3304 BT 2002 SDTV NEK 23795
9-1478245-0	Coax - GREENPAR	RG 174, 179, 187, 188, 316 URM 95, 111 PSF1/7M Mini RG59 BT3002
9-1478246-0	Coax - GREENPAR	RG 9, 58, 141, 213, 214 URM 43, 76, 91 Belden 9913, 9907 PSF 1/4M
9-1478248-0	Coax - GREENPAR	RG 174, 178, 188, 196, 316 URM 95, 110
58436-1	Coax - Hex / COMMercial	RG 58, 62, 59
58485-1	Coax - Hex COMMercial	RG, 8,9,11,213,214,216
58489-1	Coax - Hex COMMercial	RG 161,174,179,187, 188,316
91902-1	Coax - N Series	RG 141
790163-2	EMT MODULAR PLUG	0.15 - 0.2 (26-24) CAT 6
58573-2	End Splice	0.15 - 6.0 (26-10)
790163-6	MODULAR PLUG - 8 Posn	
790163-4	MODULAR PLUG - 8 Posn Shielded	
224928-2	MODULAR PLUG - 8 Posn, strain relief	Ø4.70 - 5.76 (0.185-0.215) Insulation
58560-2	MODULAR PLUG connectors	10 Posn
91911-3	MULTI-MATE - Submin	RG 174
58424-1	Optimate ST	Cable Dia 3 mm
58423-1	PIDG, PLASTIGRIP - RBY All Types	0.4 - 6.0 (22-10)
58545-1	SOLISTRAND Terminals & Splices	0.4 - 6.0 (22-10)

All options not always listed, please use our online search by terminal PN (where appropriate) to minimise cross-referencing errors, and contact us where information is unclear or missing as there may well be something available for your application.

Die-set - SDE (pin)

SDE stands for Standard Die Envelope, an innovation from Tyco Electronics that provides cost effective flexibility, through a common die outline - SDE dies can be used in several application platforms, including powered.

Features:

For open barrel terminals

Use in:

SDE PRO-CRIMPER III Hand Tool 354940-1

SDE PEW 12 Hand Tool 9-1478240-0

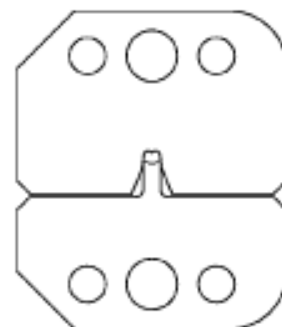
SDE DA Hand Tool 1213745-1

SDE BATTERY TOOL (Kit) 1213890-2/-5 for pin dies

SDE 626 Head 679304-1 + accessories

SDE Electric Terminator 1490076-2

SDE Bench Press Adapter 1579000-8 + Press 1481004-7



Part Number	Description	mm ² (AWG) or other
91387-2	4.2 PE series	0.15 - 0.4 (26-22)
91388-2	4.2 PE Series	0.4 - 1.0 (22-18)
1891358-1	AMP EI Receptacle	0.15 - 0.6 (26-20)
58448-3	AMPLIMITE HDP-20	0.08 - 0.6 (28-20)
90800-2	AMPLIMITE HDP-22	0.08 - 0.4 (28-22)
58596-2	COMM 0.93 mm	4.0 (12)
90872-2	COMM 0.93 mm	0.2 - 1.0 (24-18)
90574-2	Commercial MATE-N-LOK	0.2 - 1.0 (24-18)
58548-2	EI Receptacle	0.15 - 0.6 (26-20)
58524-2	FASTON 6.3 [.250]	1.0 - 2.5 (18-14)
58525-2	FASTON 6.3 [.250]	2.5 - 6.0 (14-10)
91304-2	Junior Power TIMER 2.8 (SWS) & Micro TIMER	0.5 - 1.0 (21-18)
58603-2	Junior Power TIMER; TAB 2.8	0.75 - 2.5 (19-14)
90575-2	MATE-N-LOK	0.6 - 2.5 (20-14)
58589-2	Micro Power Quadlok	0.75 - 2.1 (19-15)
58590-2	Micro Power Quadlok	1.5 - 3.0 (16-13)
58592-2	Micro Power Quadlok	1.5 - 2.5 (16-14)
90759-2	Mini-Universal MATE-N-LOK	0.4 - 1.0 (22-18)
58641-2	MODU IV	0.15 - 0.4 (26-22)
58522-2	MULTILOCK 040	0.4 - 0.6 (22-20)
58606-2	Pin/Socket Ø1.5 & Ø2.5 (SWS)	1.0 - 2.5 (18-14)
58594-2	Power Quadlock	4.0 (12)
58614-2	SL-156	0.2 - 1.0 (24-18)
58583-2	SUPERSEAL 1.5 series	0.5 - 1.0 (21-18)
58495-2	TYPE III+, TYPE VI	0.08 - 1.5 (28-16)
58628-2	ULTRA FAST (excluding Flag Terminals)	0.15 - 2.5 (26-14)
58530-2	Universal MATE-N-LOK	3.0 - 5.0 (12-10)
58637-2	Universal MATE-N-LOK	0.6 - 2.5 (20-14) Ins. 1.53 - 3.30 mm
90546-2	Universal MATE-N-LOK	0.6 - 2.5 (20-14) Ins. 1.53 - 3.30 mm
90547-2	Universal MATE-N-LOK	0.6 - 2.5 (20-14) Ins. 3.30 - 5.08 mm
90548-2	Universal MATE-N-LOK	0.2 - 1.0 (24-18)
90758-2	Universal MATE-N-LOK	0.15 - 0.4 (26-22)

All options not always listed, please use our online search by terminal PN (where appropriate) to minimise cross-referencing errors, and contact us where information is unclear or missing as there may well be something available for your application.

SDE PRO-CRIMPER III

354940-1 - Base Tool without Die-set

An alternative to SDE PEW 12 & SDE DA hand tools, but with different features and a different geometry *Image representative of type only*

Features:

Accepts all SDE Shoulder & Pin Dies
 Ratchet mechanism ensures complete crimp cycle
 Emergency ratchet release feature
 Ergonomic non-slip handles
 Approximate weight 0.59 kg (1.3 lbs)



Part Number	Description	mm ² (AWG) or other
90800-1	Complete Tool for AMPLIMITE HD 22 DF	0.08 - 0.4 (28-22)
58448-2	Complete Tool for AMPLIMITE HDP-20	0.08 - 0.6 (28-20)
790163-1	Complete Tool for EMT MODULAR PLUG	0.15 - 0.2 (26-24) CAT 6
90759-1	Complete Tool for Mini-Universal MATE-N-LOK	0.4 - 1.0 (22-18)
90760-1	Complete Tool for Mini-Universal MATE-N-LOK	0.6 - 1.5 (20-16)
58522-1	Complete Tool for MULTILOCK 040	0.4 - 0.6 (22-20)
58433-3	Complete Tool for PIDG, PLASTIGRIP - RBY All Types	0.4 - 6.0 (22-10)
58583-1	Complete Tool for SUPERSEAL 1.5 series	0.5 - 1.0 (21-18)
58495-1	Complete Tool for TYPE III+	0.8 - 1.5 (28-16)
90546-1	Complete Tool for Universal MATE-N-LOK	0.6 - 2.5 (20-14) Ins. 1.53 - 3.30 mm

All options not always listed, please use our online search by terminal PN (where appropriate) to minimise cross-referencing errors, and contact us where information is unclear or missing as there may well be something available for your application.

SDE PEW 12

9-1478240-0 - Base Tool without Die-set

An alternative to PRO-CRIMPER III & SDE DA hand tools, but with different features *Image representative of type only* and a different geometry

Features:

Accepts all SDE Shoulder & Pin Dies
 Ratchet mechanism ensures complete crimp cycle
 Virtually a straight action jaw closure
 Easy access ratchet release
 Handle pressure adjustment with locking device
 Ergonomic non-slip handles
 Approximate weight 0.59 kg (1.3 lbs)



SDE DA Hand Tool

1213745-1 - Base Tool without Die-set
Designed specifically for closed barrel applications.

Image representative of type only

Features:

Accepts all SDE Shoulder & Pin Dies
High mechanical advantage for enhanced user comfort
Ratchet mechanism ensures complete crimp cycle
Emergency ratchet release feature
Ergonomic non-slip handles
Approximate weight 0.59 kg (1.3 lbs)



SDE BATTERY TOOL Kit

1725839-1 - Battery only
1725840-2 - Battery Charger only
1725840-5 - Battery Charger only with GB Power Plug

Image representative of type only

Features:

Over 100 crimps per charge
Compact - only 360mm (14") long and weighs 1.57kg (3.48lbs)
Terminates up to 6 mm² (10 awg)

The Tool Kit is supplied in a durable plastic carry case and includes:

Battery Tool with SDE Head
Battery Charger 230 v
Two Batteries
Storage space for SDE Dies



Part Number	Description	mm ² (AWG) or other
1213890-2	Kit for Pin Dies, CLOSED Head design	0.15 - 6.0 (26-10)
1213890-5	Kit for Pin Dies, CLOSED Head design - GB Power Plug	0.15 - 6.0 (26-10)
1725837-2	Kit for Shoulder Dies, OPEN Head design (pictured)	0.15 - 6.0 (26-10)
1725837-5	Kit for Shoulder Dies, OPEN Head design (pictured) - GB Power Plug	0.15 - 6.0 (26-10)

All options not always listed, please use our online search by terminal PN (where appropriate) to minimise cross-referencing errors, and contact us where information is unclear or missing as there may well be something available for your application.

SDE 626 Head

679304-1 - SDE Head for the 626 Pneumatic System
See also Catalogue 124208 for many other 626 options

Image representative of type only

Features:

Ideal for low to medium production volumes.
Accepts any SDE Die-set
All pneumatic

Also required:

Tool Holder with Ratchet 356302-1 (pictured)
or Tool Holder without Ratchet 189767-1
and
Hand held power unit 189721-1 (pictured)
or Foot actuated Power Unit 189722-1



SDE Electric Terminator

1490076-2 - Portable Bench-top Unit with SDE Head & Foot Switch
1673677-2 - Portable Bench-top Unit without SDE Head or Foot Switch
1673664-1 - Optional Foot Switch
1673663-2 - SDE Head

Image representative of type only

Features:

Ideal for low to medium production volumes.
Accepts any SDE Die-set
Mains powered unit - no air required
Switchable 110v or 240v supply
Cycle Counter
Two stage crimp cycle option



SDE Bench Press Adapter

1579000-8 - Adapter only

Features:

Accepts all SDE Shoulder & Pin Dies
Adapts Bench Top Press SSC- 2FP (1481004-7 pictured) to take
SDE Dies

NO FIXED GUARDING!

Special pressure sensitive safety configuration means no fixed
guards to get in the way - see "relevant flyers" for more
information.

Image representative of type only



CERTI-CRIMP II SAHT

Standard Straight Action Hand Tool Design
Widely used in the Aircraft and Military industries

Image representative of type only

Features:

Fixed dies
Straight action jaw closure
Ratchet mechanism ensures complete crimp cycle
Tamper proof ratchet release setting
Emergency ratchet release feature
Terminal loactor / support and wire stop on many tools
Insulation adjustment feature on many tools
Ergonomic non-slip handles
Approximate weight 0.59 kg (1.3 lbs)
Many crimp heads can be easily adapted to the pneumatic 626 system & Battery Tool



Part Number	Description	mm ² (AWG) or other
91583-1	.075 Receptacle Contact	0.5 - 1.5 (21-16)
91572-1	AMP CT 2.0	0.12 - 0.4 (26-22)
91576-1	AMP D-2000	0.08 - 0.22 (28-24)
91561-1	AMP Dynamic D-3000	1.5 - 2.5 (16-14)
91566-1	AMP EI Plug	0.15 - 0.6 (26-20)
91537-1	AMP MODU II FFC	0.15 - 0.4 (26-22)
91520-1	AMPLIMITE HD 22 DF	0.08 - 0.4 (28-22)
91503-1	AMPLIMITE HDP 20 DF	0.08 - 0.6 (28-20)
91513-1	AMPLIMITE HDP 20 DF	0.4 - 1.0 (22-18)
91512-1	Commercial MATE-N-LOK	0.2 - 1.0 (24-18)
91558-1	DYNAMIC Contact	0.6 - 1.5 (20-16)
91595-1	DYNAMIC D2	0.4 - 1.0 (22-18)
91556-1	EI Receptacle	0.15 - 0.6 (26-20)
91511-1	FASTON 2.8 (.110) Receptacle	0.2 - 1.0 (24-18)
91533-1	LOCKING CLIP ASSY	0.12 - 0.38 (26-22)
91501-1	Micro MATE-N-LOK	0.2 - 0.6 (24-20)
91502-1	Micro MATE-N-LOK	0.05 - 0.15 (30-26)
91522-1	Mini-Universal MATE-N-LOK	0.4 - 1.0 (22-18)
91529-1	Mini-Universal MATE-N-LOK	0.15 - 0.4 (26-22)
91536-1	Mini-Universal Mate-N-Lok	0.6 - 1.0 (20-18)
91594-1	Mini-Universal Mate-N-Lok	0.6 - 1.5 (20-16)
91516-1	MODU IV	0.05 - 0.6 (30-20)
91517-1	MODU IV	0.15 - 0.4 (26-22)
91526-1	MR Contacts	0.15 - 1.0 (26-18)
91531-1	MTE	0.15 - 0.4 (26-22)
91577-1	MULTILOCK 040	0.4 - 0.6 (22-20)
91518-1	SHORT-POINT Receptacle	0.03 - 0.4 (32-22)
91538-1	Type II Contacts	0.03 - 0.6 (32-20)
91505-1	TYPE III+	0.2 - 1.5 (24-16)
91521-1	TYPE III+	1.0 - 2.5 (18-14)
91523-1	TYPE III+	0.2 - 1.5 (24-16)
91500-1	Universal MATE-N-LOK	0.6 - 2.5 (20-14) Ins. 1.53 - 3.30 mm
91506-1	Universal MATE-N-LOK	1.5 - 2.5 (16-14) Ins. 1.53 - 3.30 mm
91508-1	Universal MATE-N-LOK	0.6 - 1.0 (20-18) Ins. 3.30 - 5.08 mm
91510-1	Universal MATE-N-LOK	0.2 - 1.0 (24-18)

All options not always listed, please use our online search by terminal PN (where appropriate) to minimise cross-referencing errors, and contact us where information is unclear or missing as there may well be something available for your application.

CERTI-CRIMP II SA Battery Tool Kit

1213805-2 - Kit only without Head

1213805-5 - Kit only without Head (GB Power Plug)

Use these Power assist kits with CERTI-CRIMP II Hand Tool Heads!

Image representative of type only

Features:

Heads can be removed from Hand Tools, or are also available as a [-3] option.

Example 91500-1 CERTI-CRIMP II SAHT; handles can be removed and the head used with this kit. Alternatively 91500-3 (head only) is also available.

Over 100 crimps per charge

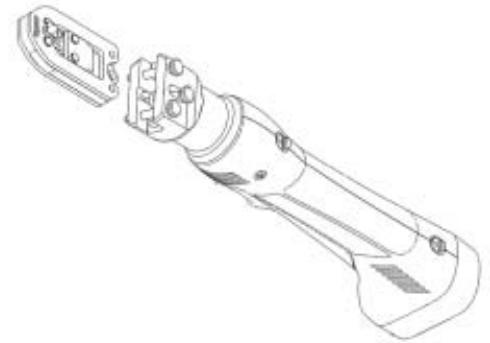
Compact - only 360mm (14") long and weighs 1.57kg (3.48lbs)

The Tool Kit is supplied in a durable plastic carry case and includes:

Battery Tool with CERTI-CRIMP II SAHT Adapter

Battery Charger 230 v

Two Batteries



Adapter - CERTI-CRIMP II to Electric Terminator

1213860-1 - Adapter only without Head

This Adapter enables you to use CERTI-CRIMP II Hand Tool Heads on the Electric Terminator!

Image representative of type only

Features:

For use with Electric Terminators (1673677-2 or 1490076-2) and any CERTI-CRIMP II SAHT Head.

Heads can be removed from Hand Tools, or are also available as a [-3] option.

Example 91500-1 CERTI-CRIMP II SAHT; the head can be removed from the handles and used along with this adapter on the Electric Terminator. Alternatively 91500-3 (head only) is also available.



Double Action Hand Tool

Note: The specifications shown against the tools listed are only applicable when using terminals and wires recommended for the relevant industry.
Widely used in Aircraft and Military applications

Image representative of type only

Features:

- Fixed dies
- Ratchet mechanism ensures complete crimp cycle
- Tamper proof ratchet release setting
- Emergency ratchet release feature
- Terminal locator / support and wire stop on many tools
- Insulation adjustment on many tools
- Approximate weight 0.54 kg (1.2 lbs)
- Many crimp heads can be easily adapted to the pneumatic 626 system



Part Number	Description	mm ² (AWG) or other
720725-1	FASTIN-FASTON & FASTON 6.3 mm	0.6 - 2.5 (20-14)
674655	FASTON 6.3 [.250] Receptacle	0.4 - 2.5 (22-14)
47386-5	French PIDG & PLASTIGRIP Ring Tongue Tool - includes French Instruction Sheet Meets Mil-T-7928 - AMP specified level Marks the applied product with a one dot indent code.	0.4 - 1.5 (22-16)
47386-4	GB Special for PIDG & PLASTIGRIP Ring Tongue's & FASTON's Meets Mil-T-7928 - AMP specified level for Ringtongues only Marks the applied product with a one dot indent code.	0.4 - 1.5 (22-16)
47387-7	GB Special for PIDG & PLASTIGRIP Ring Tongue's and FASTON's: Meets Mil-T-7928 - AMP specified level for Ring Tongues only Marks the applied product with a two dot indent code.	1.5 - 2.5 (16-14)
45216	PIDG Closed End Splice	1.0 - 1.5 (18-16)
482930-1	Special French tool for PIDG FASTON 2.8 (110) with crimp orientation at 90° Marks the applied product with a one dot indent code.	0.15 - 0.4 (26-22)
525690	Special GB Aerospace PIDG & PLASTIGRIP Ring Tongue Tool. Equivalent to 47386 but has special retaining pins/rings to reduce the risk of tool parts falling off whilst building and maintaining aircraft.	0.6 - 1.0 (20-18)
525691	Special GB Aerospace PIDG & PLASTIGRIP Ring Tongue Tool. Equivalent to 47387 but has special retaining pins/rings to reduce the risk of tool parts falling off whilst building and maintaining aircraft.	1.5 - 2.5 (16-14)
90009-8	Special GB Railways PIDG FASTON Tool Qualifications: LUL RSE 024 pt6 & EE6161	1.5 - 2.5 (16-14)
90035-3	Special GB Railways PIDG FASTON Tool Qualifications: LUL RSE 024 pt6 & EE6161	0.4 - 1.0 (22-18)
525693	Special tool for Solistrand Terminals and Splices (GB) Qualifications: Mil-T-7928; LUL RSE 024 pt6 & EE6161 Equivalent to 49935 but has special retaining pins/rings to reduce the risk of tool parts falling off whilst building and maintaining aircraft.	0.4 - 6.0 (22-10)
47386	Standard Tool for PIDG & PLASTIGRIP Terminals and PIDG Splices - GB Railways Qualifications: Mil-T-7928; LUL RSE 024 pt6 & EE6161 Marks the applied product with a one dot indent code.	0.4 - 1.5 (22-16)
47387	Standard Tool for PIDG & PLASTIGRIP Terminals and Splices - GB Railways Qualifications: Mil-T-7928; LUL RSE 024 pt6 & EE6161 Marks the applied product with a two dot indent code.	1.5 - 2.5 (16-14) 0.6 - 1.5 (20-16) HD
46121	Standard Tool for PIDG & PLASTIGRIP Terminals and Splices Qualifications: Mil-T-7928; LUL RSE 024 pt6 & EE6161 Marks the applied product with a one dot indent code	0.15 - 0.4 (26-22)
49592	Standard Tool for Solistrand Terminals and Splices Qualifications: Mil-T-7928	2.5 - 4.0 (14-12)
49935	Standard Tool for Solistrand Terminals and Splices Qualifications: Mil-T-7928; LUL RSE 024 pt6 & EE6161	0.4 - 6.0 (22-10)
69363	Standard tool for SOLISTRAND terminals and splices Qualifications: Mil-T-7928; LUL RSE 024 pt6 & EE6161	0.15 - 0.6 (26-20)
46673	STRATO-THERM Uninsulated Terminals and Splices without Insulation Support	0.4 - 1.5 (22-16)
46447	Uninsulated terminals & Splices	0.4 - 6.0 (22-10)

All options not always listed, please use our online search by terminal PN (where appropriate) to minimise cross-referencing errors, and contact us where information is unclear or missing as there may well be something available for your application.

Double Action Hand Tool Battery Tool Kit

1213804-2 - Kit only without Head

1213804-5 - Kit only without Head (GB Power Plug)

Use these Power assist kits with your existing Double Action Hand Tool Heads!

Image representative of type only

Features:

Example 47386 DAHT; handles can be removed and the head used with this kit.

Over 100 crimps per charge

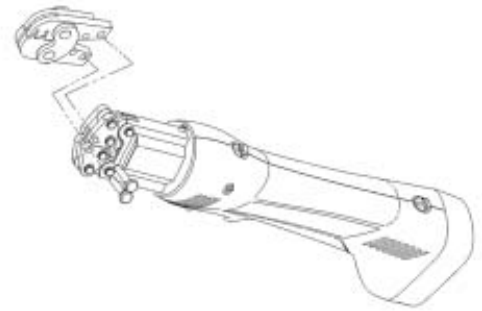
Compact - only 360mm (14") long and weighs 1.57kg (3.48lbs)

The Tool Kit is supplied in a durable plastic carry case and includes:

Battery Tool with DAHT Adapter

Battery Charger 230 v

Two Batteries



Adapter - Double Action Hand Tool to 626 System

1213563-1 - Adapter only without Head

This Adapter enables you to use your existing Double Action Hand Tool Heads on the 626 pneumatic system!

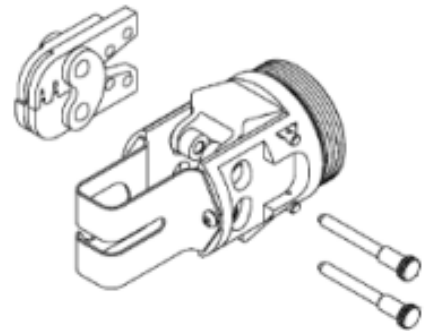
Features:

Heads can be removed from Hand Tools, example: the Handles from 47386 can be removed and the head used with this Adapter (includes cam).

Also required:

Hand held power unit 189721-1

or Foot actuated Power Unit 189722-1



C-Head SAHT

69710-1 - Base Tool without Die-set

Features:

Interchangeable Dies
 Ratchet mechanism ensures complete crimp cycle
 Tamper proof ratchet release setting
 Emergency ratchet release feature
 Terminal locator / support and wire stop on many tools
 Insulation adjustment feature on many tools
 Approximate weight 0.86 kg (1.9 lbs)
 Many crimp heads can be easily adapted to our pneumatic 626 system
 Widely used in Aircraft and Military applications

Image representative of type only



Die-set - C-Head SAHT

A range of Die-sets for many premium crimp applications

Features:

Use in:
 Hand Tool Frame 69710-1
 Battery Tool Kit - Closed Head 1213819-2
 Battery Tool Kit - Open Head 1213840-2
 Adapter - C-Head to Electric Terminator 1901556-1
 626 Straight action Head 217200-1
 626 C-Head adapter 318161-1

Image representative of type only

Part Number	Description	mm ² (AWG) or other
58212-1	AMPLIMITE	RG 142, 142A, 142B
59993-1	AMPLIMITE	8 (10)
483883-1	Coax T5 & T9 - Centre Contact	Felecia 2709/3/9/13 & 2207 Filotex 46123
483884-1	Coax T5 & T9 - Outer ferrule	Felecia 2709/3/9/13 & 2207 Filotex 46123
47808-5	Expanded Insulation PIDG, PLASTIGRIP, Terminals & Splices	4.0 - 6.0 (12-10) & (16-14) HD
69690	MULTI-MATE - Submin	RG 174
69690-1	MULTI-MATE - Submin	RG 179
69690-2	MULTI-MATE - Submin	RG 196
576714	PIDG STRATOTHERM	1.5 (16)
576715	PIDG STRATOTHERM	1.0 (18)
576723	PIDG STRATOTHERM	6.0 (10)
576742	PIDG STRATOTHERM	4.0 (12)
576716	PIDG STRATOTHERM Terminals & Splices	2.0 (14)
69735	PIDG Thin Wall and STRATOTHERM Terminals & Splices	4.0 - 6.0 (12-10)
1-539634-9	Pin 50 ohm, size 8 kit	Gore Cable Type: GSC-03-81748-00
47812	SOLISTRAND Terminals & Splices	0.4 - 1.5 (22-16)
47814	SOLISTRAND Terminals & Splices	4.0 - 6.0 (12-10) & 16-14 HD
90145-1	Type XII Contacts	2.5 - 4.0 (14-12)

All options not always listed, please use our online search by terminal PN (where appropriate) to minimise cross-referencing errors, and contact us where information is unclear or missing as there may well be something available for your application.

C-Head SAHT Battery Tool Kit

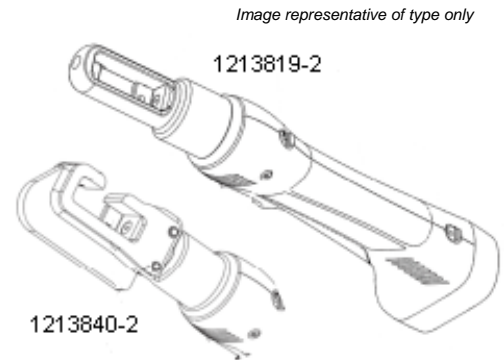
Use these Power assist kits with C-Head SAHT Dies

Features:

Over 100 crimps per charge
 Compact - only 360mm (14") long and weighs 1.57kg (3.48lbs)

The Tool Kit is supplied in a durable plastic carry case and includes:

- Battery Tool with C-Head SAHT Adapter
- Battery Charger 230 v
- Two Batteries



Part Number	Description	mm ² (AWG) or other
1213819-2	C-Head SAHT Battery Tool Kit - Closed Head	
1213819-5	C-Head SAHT Battery Tool Kit - Closed Head (GB Power Plug)	
1213840-2	C-Head SAHT Battery Tool Kit - Open Head	
1213840-5	C-Head SAHT Battery Tool Kit - Open Head (GB Power Plug)	

All options not always listed, please use our online search by terminal PN (where appropriate) to minimise cross-referencing errors, and contact us where information is unclear or missing as there may well be something available for your application.

Adapter - C-Head SAHT to Electric Terminator

1901556-1 - Adapter only

This Adapter enables you to use C-Head SAHT dies on the Electric Terminator!

Image representative of type only

Features:

For use with Electric Terminators (1673677-2 or 1490076-2) and any C-Head SAHT die-set

Heavy Head Hand Tool

Note: The specifications shown against the tools listed are only applicable when using terminals recommended for the relevant industry
Widely used in Aircraft and Military applications

Image representative of type only

Features:

Fixed dies
Straight action jaw closure
Ratchet mechanism ensures complete crimp cycle
Tamper proof ratchet release setting
Terminal locator / support and wire stop on many tools
Insulation adjustment feature on many tools
Approximate weight 0.95 kg (2.1 lbs)
Heads can be adapted to the pneumatic 626 system



Part Number	Description	mm ² (AWG) or other
234170-1	AMP DYNAMIC D-5	1.5 - 2.5 (16-14)
234171-1	AMP DYNAMIC D-5	4.0 - 6.0 (12-10)
1366044-1	AMP DYNAMIC D-5 Receptacle	8.0 (8) Ins. Ø4.9-7.8mm
59287-2	Expanded Insulation PIDG, PLASTIGRIP, Terminals & Splices	4.0 - 6.0 (12-10) & (16-14) HD
180250	FASTON; POSITIVE-LOK	4.0 - 6.0 (12-10)
484364-1	PIDG STRATOTHERM	1.0 (18)
59461	PIDG Thin Wall and STRATOTHERM Terminals & Splices	4.0 - 6.0 (12-10) & (16-14) HD
69355	SOLISTRAND Terminals & Splices	10.0 (8)
525692	Special GB Aerospace PIDG & PLASTIGRIP Ring Tongue Tool. Equivalent to 59239-4 but has special retaining pins/rings to reduce the risk of tool parts falling off whilst building and maintaining aircraft.	4.0 - 6.0 (12-10)
576778	Special GB Aerospace tool for thin-wall PIDG STRATOTHERM Terminals & Splices Qualified to BS 4G178	0.2 - 0.4 (24-22)
576779	Special GB Aerospace tool for thin-wall PIDG STRATOTHERM Terminals & Splices Qualified to BS 4G178	0.5 (21)
576780	Special GB Aerospace tool for thin-wall PIDG STRATOTHERM Terminals & Splices Qualified to BS 4G178	1.0 (18)
576781	Special GB Aerospace tool for thin-wall PIDG STRATOTHERM Terminals & Splices Qualified to BS 4G178	1.5 (16)
576782	Special GB Aerospace tool for thin-wall PIDG STRATOTHERM Terminals & Splices Qualified to BS 4G178	2.5 (14)
576783	Special GB Aerospace tool for thin-wall PIDG STRATOTHERM Terminals & Splices Qualified to BS 4G178	4.0 (12)
576784	Special GB Aerospace tool for thin-wall PIDG STRATOTHERM Terminals & Splices Qualified to BS 4G178	6.0 (10)
90276-2	Special GB Railways PIDG FASTON Tool Qualifications: LUL RSE 024 pt6 & EE6161	4.0 - 6.0 (12-10)
59239-4	Standard Tool for PIDG & PLASTIGRIP Terminals and Splices - GB Railways Qualifications: Mil-T-7928; LUL RSE 024 pt6 & EE6161 Marks the applied product with a one dot indent code.	4.0 - 6.0 (12-10) 1.5 - 2.5 (16-14) HD
90246-1	Standard tool for PIDG FASTON	2.5 - 4.0 (14-12)
69322-1	TYPE O Laminated	0.4 - 6.0 (22-10)
90382-2	TYPE XII Contact	1.5 - 4.0 (16-12)
90384-1	TYPE XII Contact	6 -10 (10-8)

All options not always listed, please use our online search by terminal PN (where appropriate) to minimise cross-referencing errors, and contact us where information is unclear or missing as there may well be something available for your application.

Heavy Head Hand Tool Battery Tool Kit

1901235-2 - Kit only without head

1901235-5 - Kit only without head (GB Power Plug)

Use this Power assist kit with many of your existing Heavy Head Hand Tool Heads!

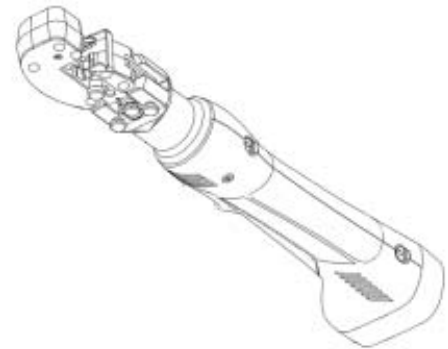
Image representative of type only

Features:

Heads can be removed from many Heavy Head Hand Tools, example:
 the Handles from 59239-4 can be removed and the head used with this kit.
 See Instruction sheet 409-10068 for a list of compatible tools

Over 100 crimps per charge
 Compact - only 360mm (14") long and weighs 1.57kg (3.48lbs)

The Tool Kit is supplied in a durable plastic carry case and includes:
 Battery Tool with Heavy Head Adapter
 Battery Charger 230 v
 Two Batteries



626 Adapter for Heavy Heads

525432-1 - Adapter only without Head

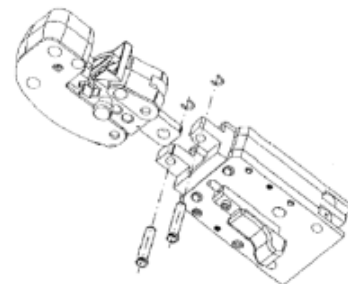
This Adapter enables you to use your existing Heavy Head Hand Tool Heads on the 626 pneumatic system!

Image representative of type only

Features:

Heads can be removed from Hand Tools, example:
 the Handles from 59239-4 can be removed and the head used with this Adapter with the 626 Pneumatic system.

Also required:
 Tool Holder with Ratchet 356302-1
 or Tool Holder without Ratchet 189767-1
 and
 Hand held power unit 189721-1
 or Foot actuated Power Unit 189722-1



CERTI-LOK

169400 Base Tool without Die-set

Image representative of type only

Features:

- Interchangeable Dies
- Straight action jaw closure
- Ratchet mechanism ensures complete crimp cycle
- Easy access ratchet release
- Handle pressure adjustment with locking device
- Ergonomic non-slip handles
- Approximate weight 0.64 kg (1.4 lbs)



Part Number	Description	mm ² (AWG) or other
656075-1	Complete tool for LOCKING CLIP	0.03 - 0.56 (30-20)
169404	Die-set for PIDG, PLASTIGRIP - All Types Use in Hand Tool Frame 169400 GB Railways PIDG & PLASTIGRIP Faston & Ringtongue Tool (Signal only) Meets; Mil-T 7928 F, VG 88720, DIN 41611	0.6 - 6.0 (20-10)
169409	Die-set for SOLISTRAND Terminals & Splices Use in Hand Tool Frame 169400	0.4 - 6.0 (22-10)

All options not always listed, please use our online search by terminal PN (where appropriate) to minimise cross-referencing errors, and contact us where information is unclear or missing as there may well be something available for your application.

Adapter - CERTI-LOK to Electric Terminator

169411 - Adapter only

This Adapter enables you to use CERTi-LOK dies on the Electric Terminator!

Image representative of type only

Features:

- For use with Electric Terminator (1673677-2 or 1490076-2) and any CERTI-LOK Die-set.



Reel-Fed CERTI-LOK

A unique tool that applies terminals from special small reels

Image representative of type only

Features:

- Terminal feeding and cutting device
- Straight action jaw closure
- Ratchet mechanism ensures complete crimp cycle
- Easy access ratchet release
- Handle pressure adjustment with locking device
- Ergonomic non-slip handles



Part Number	Description	mm ² (AWG) or other
169424-1	AMPLIMITE HDP 20 DF	0.06 - 0.2 (30-24)
734643-1	AMPLIVAR	
734870-1	MICRO MATCH COSI contact	0.2 - 0.6 (24-20)
734870-2	MICRO MATCH COSI contact	0.08 - 0.2 (28-24)
539608-1	MODU II	0.02 - 0.20 (32-24)
734203-1	MODU IV	0.2 -0.56 (24-20)
734216-1	TYPE III+	

All options not always listed, please use our online search by terminal PN (where appropriate) to minimise cross-referencing errors, and contact us where information is unclear or missing as there may well be something available for your application.

PEZ 100

- 539717-1 - Base Tool without Die-set
- 1579000-1 - Base Tool without Die-set Long Handles

Image representative of type only

Features:

- Interchangeable Dies
- Flap type terminal locator
- Straight action jaw closure
- Ratchet mechanism ensures complete crimp cycle
- Easy access ratchet release
- Handle pressure adjustment with locking device
- Ergonomic non-slip handles



Part Number	Description	mm ² (AWG) or other
1579002-6	PIDG STRATOTHERM	24-22
1579002-7	PIDG STRATOTHERM	18-14
654174-1	POSITIVE-LOK	0.5 - 4.0 (22-12)
7-1579001-2	POSITIVE-LOK	0.35 - 0.75 (22-18)
7-1579001-3	POSITIVE-LOK	0.5 - 0.75 (20-18)
7-1579001-4	Ring Tongue (similar to DIN 46225)	1.0 - 2.5 (18-14)

All options not always listed, please use our online search by terminal PN (where appropriate) to minimise cross-referencing errors, and contact us where information is unclear or missing as there may well be something available for your application.

Tetra-Crimp Hand Tool

58078-3 - Base Tool without Die-set

Image representative of type only

Features:

Interchangeable Dies
 Ratchet mechanism ensures complete crimp cycle
 Tamper proof ratchet release setting
 Emergency ratchet release feature
 Terminal loactor / support and wire stop on many tools
 Approximate weight 0.64 kg (1.4 lbs)
 Ergonomic non-slip handles



Part Number	Description	mm ² (AWG) or other
59824-1	Complete Tool for PIDG, PLASTIGRIP Terminals & Splices Meets UL requirements	0.4 - 6.0 (22-10)
90390-3	Die-set for ULTRA FAST (including Flag Terminals) Use In Hand Tool Frame 58078-3	0.4 - 1.0 (22-18)
90391-3	Die-set for ULTRA FAST (including Flag Terminals) Use In Hand Tool Frame 58078-3	1.5 - 2.5 (16-14)
58079-3	Die-set for ULTRA FAST PLUS Use In Hand Tool Frame 58078-3	0.4 - 1.0 (22-18)
58080-3	Die-set for ULTRA FAST PLUS Use In Hand Tool Frame 58078-3	1.5 - 2.5 (16-14)
58052-3	Die-set for ULTRA FAST Use In Hand Tool Frame 58078-3	0.15 - 0.4 (26-22)

All options not always listed, please use our online search by terminal PN (where appropriate) to minimise cross-referencing errors, and contact us where information is unclear or missing as there may well be something available for your application.

ERGOCRIMP

539635-1 Base Tool without Die-set

Note:

Not Compatible with SDE Dies

Image representative of type only

Features:

Interchangeable Dies
 Virtually a straight action jaw closure
 Ratchet mechanism ensures complete crimp cycle
 Easy access ratchet release
 Handle pressure adjustment with locking device
 Ergonomic non-slip handles
 Approximate weight 0.59 kg (1.3 lbs)



ERGOCRIMP Dies can also be used in:

1285003-1 - Head for the 626 Pneumatic System

1579000-7 - Adapter for Bench Top Press SSC- 2FP (1481004-

7) - see "relevant Flyers" for more information

Mini CERTI-LOK

A light weight and compact tool for many commercial applications

Image representative of type only

Features:

- Fixed dies
- Straight action jaw closure
- Ratchet mechanism ensures complete crimp cycle
- Easy access ratchet release
- Handle pressure adjustment with locking device
- Easy terminal positioning with 'Flap Locator' (some tools)
- Ergonomic non-slip handles
- Approximate weight 0.46 kg (1.0 lbs)



Part Number	Description	mm ² (AWG) or other
1579004-2	110 FASTIN-ON	0.5 - 1.5 (21-16)
734360-1	AMPLIMITE HD 22 D	0.08 - 0.4 (28-22)
169341-1	AMPLIMITE HD-20 DF	0.03 - 0.56 (32-20)
169481-1	AMPMODU IV	0.03 - 0.56 (32-20)
1579004-4	Complete tool for Wire End Ferrules	0.08 - 10.0 (28-8)
734202-1	Mini-Universal MATE-N-LOK	0.4 - 1.0 (22-18)
734218-1	MODULAR PLUG	4 Posn
734218-2	MODULAR PLUG	6 Posn
734218-3	MODULAR PLUG	8 Posn
734218-4	MODULAR PLUG	6 Posn off-set
539645-1	MQS Ø1.0mm	0.35 - 0.5 (23-21)
169994-1	POSITIVE-LOK 4.8 mm	0.2 - 0.6 (24-20)
169481-2	TANDEM-SPRING	0.03 - 0.56 (32-21)
169480-1	TYPE 'F' Crimp-on Snap-in	0.05 - 1.5 (30-16)
169475-1	TYPE III+	0.03 - 0.56 (30-20)
169422-1	TYPE III+, TYPE XII & CI-2 Contacts	0.75 - 2.5 (19-14)

All options not always listed, please use our online search by terminal PN (where appropriate) to minimise cross-referencing errors, and contact us where information is unclear or missing as there may well be something available for your application.

Modular Mini CERTI-LOK

Based on the Mini Certi-Lok tool
 2-1579005-1 Short handle assembly
 2-1579005-2 Long handle assembly

Image representative of type only

Features:

Comprising of heads with identical features to the Mini Certilok tool, but with a choice of two handle lengths. Interchangerability is made easy via two push-out pins.



Part Number	Description	mm ² (AWG) or other
2-1579021-8	4.2mm PE Series	0.15 - 1.0 (26-18)
1-1579004-1	Complete tool for SOLARLOK with Long Handle assembly	1.5 - 2.5 (16-14)
1-1579004-2	Complete tool for SOLARLOK with Long Handle assembly	4.0 - 6.0 (12-10)
1579001-8	FFC to MQS	0.35 - 0.5 (23-21)
7-1579001-8	Head only for SOLARLOK	1.5 - 2.5 (16-14)
7-1579001-9	Head only for SOLARLOK	4.0 - 6.0 (12-10)
5-1579001-8	MQS (SWS)	0.5 - 0.75 (21-19)
1579001-9	Pin/Socket Ø2.5	1.5 - 2.5 (16-14)

All options not always listed, please use our online search by terminal PN (where appropriate) to minimise cross-referencing errors, and contact us where information is unclear or missing as there may well be something available for your application.

C-Frame Hand Tool

6-1419172-9 - Base Tool without Die-set

Image representative of type only

Features:

- Interchangeable Dies
- Double action jaw closure
- Ratchet mechanism ensures complete crimp cycle
- Easy access ratchet release
- Handle pressure adjustment with locking device
- Ergonomic non-slip handles
- Approximate weight 0.55 kg (1.2 lbs)



Part Number	Description	mm ² (AWG) or other
1583684-1	Die-set for ADK Series Back Shell Use in Hand Tool frame 6-1419172-9	6.0 mm Cable Dia Max
1583684-2	Die-set for ADK Series Back Shell Use in Hand Tool frame 6-1419172-9	7.5 mm Cable Dia Max
1583684-3	Die-set for ADK Series Back Shell Use in Hand Tool frame 6-1419172-9	8.5 mm Cable Dia Max
1583684-4	Die-set for ADK Series Back Shell Use in Hand Tool frame 6-1419172-9	9.5 mm Cable Dia Max
948761-2	HDE 20 Ferrule	9-15-25 WAY 8.2MM I/D
948761-1	HDE20 Ferrule	9-15-25 WAY 6.25MM I/D
948761-3	HDE20 Ferrule	9-15-25 WAY 9.5MM I/D
734566-1	N Series 50 & 70 ohm	

All options not always listed, please use our online search by terminal PN (where appropriate) to minimise cross-referencing errors, and contact us where information is unclear or missing as there may well be something available for your application.

D-Frame Tool

Image representative of type only

Features:

- Fixed Die-sets
- Small and lightweight
- Ratchet mechanism ensures complete crimp cycle
- Easy access ratchet release
- Handle pressure adjustment with locking device
- Ergonomic non-slip handles
- Approximate weight 0.55 kg (1.2 lbs)



Part Number	Description	mm ² (AWG) or other
947488-1	Coax - BNC, TNC	Cable Dia 5 & 6mm
2-1579002-0	Complete Tool with square crimp form for Wire Wire End Ferrules	0.5 - 6.0 (21-10)
947679-1	HE14 Crimp-on Snap-in	0.08 - 0.2 (28-24)

All options not always listed, please use our online search by terminal PN (where appropriate) to minimise cross-referencing errors, and contact us where information is unclear or missing as there may well be something available for your application.

Trapezium Crimp Tool

Special Trapezium crimp tool for Wire End Ferrule applications

Features:

- Ratchet mechanism ensures complete crimp cycle
- Easy access ratchet release
- Handle pressure adjustment with locking device
- Ergonomic non-slip handles

Image representative of type only



Part Number	Description	mm ² (AWG) or other
734641-2	Complete Tool with trapezium form crimp for Wire End Ferrules	0.14 - 6.0 (26-10)
734641-3	Complete Tool with trapezium form crimp for Wire End Ferrules	0.5 - 10 (21-6)
734641-4	Complete Tool with trapezium form crimp for Wire End Ferrules	10.0 - 16 (8-6)

All options not always listed, please use our online search by terminal PN (where appropriate) to minimise cross-referencing errors, and contact us where information is unclear or missing as there may well be something available for your application.

Square Crimp Tool

Special Square crimp tool for Wire End Ferrule applications

Features:

- Ratchet mechanism ensures complete crimp cycle
- Easy access ratchet release
- Handle pressure adjustment with locking device
- Ergonomic non-slip handles

Image representative of type only



Part Number	Description	mm ² (AWG) or other
539660-1	Complete Tool with square crimp form for Wire Wire End Ferrules	0.08 - 6.0 (28-10)
539661-1	Complete Tool with square crimp form for Wire Wire End Ferrules	0.75 - 10 (19-8)

All options not always listed, please use our online search by terminal PN (where appropriate) to minimise cross-referencing errors, and contact us where information is unclear or missing as there may well be something available for your application.

Service Tool

734790-1 - Base Tool without Die-set

Features:

- Interchangeable Dies
- Ratchet mechanism ensures complete crimp cycle
- Easy access ratchet release
- Handle pressure adjustment with locking device
- Ergonomic non-slip handles
- Approximate weight 0.59 kg (1.3 lbs)

Image representative of type only



Part Number	Description	mm ² (AWG) or other
734658-1	Complete Tool for Wire End Ferrules	25 - 35 (4-2)
734658-2	Complete Tool for Wire End Ferrules	50 (1/0)
734767-1	Die-set for CI-2 contact, Micro & Junior Power TIMER Use in Hand Tool 734790-1	0.5 - 2.5 (21-14)
734768-1	Die-set for Micro TIMER and D Pin & Socket Ø1.5 (SWS) Use in Hand Tool 734790-1	0.5 - 2.5 (21-14)
784044-1	MODU II Receptacle	0.06 - 0.4 (30-22)

All options not always listed, please use our online search by terminal PN (where appropriate) to minimise cross-referencing errors, and contact us where information is unclear or missing as there may well be something available for your application.

TERMI-POINT Hand Tool

Features:

Pneumatic options (pictured)
Interchangeable Mandrels
Terminals fed from Reel

Image representative of type only



Part Number	Description	mm ² (AWG) or other
871087-1	Hand Tool (pneumatic) without Mandrel	0.6 - 0.2 (20-24)
871087-2	Hand Tool (pneumatic) without Mandrel	0.4 - 0.15 (22-26)
69526-2	Hand Tool without Mandrel	0.08 - 0.4 (28-22)
654182-1	Hand Tool without Mandrel	0.6 - 0.2 (20-24)
69551-5	Mandrel (black) for 69526-1 - Ins. Range Ø1.14 - 1.65 mm	0.08 (28)
69551-6	Mandrel (brown) for 69526-1 - Ins. Range Ø0.56 - 1.14 mm	0.15 (26)
1-69411-9	Mandrel (brown) for 69526-1 - Ins. Range Ø1.14 - 1.65 mm	0.15 (26)
871295-5	Mandrel (brown) for 871087-2 - Ins. Range Ø0.76 - 1.40 mm	0.15 (26)
69551-8	Mandrel (orange) for 69526-1 - Ins. Range Ø0.87 - 1.23 mm	0.4 (22)
1-69411-4	Mandrel (orange) for 69526-1 - Ins. Range Ø1.14 - 1.65 mm	0.4 (22)
871295-3	Mandrel (orange) for 871087-2 - Ins. Range Ø0.91 - 1.65 mm	0.4 (22)
69561-4	Mandrel (red) for 654182-1 - Ins. Range Ø1.17 - 1.65 mm	0.2 (24)
69551-9	Mandrel (red) for 69526-1 - Ins. Range Ø0.74 - 1.23 mm	0.2 (24)
1-69411-3	Mandrel (red) for 69526-1 - Ins. Range Ø1.10 - 1.65 mm	0.2 (24)
871295-2	Mandrel (red) for 871087-1 - Ins. Range Ø0.86 - 1.65 mm	0.2 (24)
871295-4	Mandrel (red) for 871087-2 - Ins. Range Ø0.86 - 1.65 mm	0.2 (24)
69561	Mandrel (yellow) for 654182-1 - Ins. Range Ø1.17 - 1.65 mm	0.56 (20)
69561-1	Mandrel (yellow) for 654182-1 - Ins. Range Ø1.68 - 2.16 mm	0.56 (20)
871295-1	Mandrel (yellow) for 871087-1 - Ins. Range Ø0.91 - 1.65 mm	0.56 (20)
655032-1	Maxi TERMI-POINT	0.2 - 0.56 (24-20)
655136-3	STD TERMI-POINT	0.2 - 0.4 (24-22)

All options not always listed, please use our online search by terminal PN (where appropriate) to minimise cross-referencing errors, and contact us where information is unclear or missing as there may well be something available for your application.

Pistol Grip

Specially Developed to cover a wide range of IDC products - these tools are ideal for small batch production and repair

Image representative of type only

Features:

Interchangeable Heads
Complete cycle ratchect control
Product automatically indexes after insertion
Head rotates for user convenience



Part Number	Description	mm ² (AWG) or other
548053-1	AMP CT 2.0 Receptacle Assemblies	2 to 28 ways
870086-2	AMPMODU MT Female Connector, Dual Row	0.15 - 0.4 (26-22)
870086-3	AMPMODU MT Female Polarised Connectors, Dual Row	0.15 - 0.4 (26-22)
870088-3	HDE 20	0.05 - 0.6 (30-20)
946807-1	HE-13/14 (180°)	0.08 - 0.22 (28-24)
945419-1	HE-13/14 (90°)	0.08 - 0.22 (28-24)
539638-1	Modu w. pin housing 964144	1x5 way
549012-1	Modu w. pin housing 964144	1x4 way
734173-1	MT 6	0.4 - 1.0 (22-18)
656154-1	MT Connector - Decrete wire	2 to 20 Posns
734175-1	MT-6-M / Sonderversion	2 to 12 Posns
656154-5	MT-EDGE 5.0	0.5 (21)
873710-1	TANDEM-SPRING	2x13 way
549013-1	TS Receptacle	1x4 way

All options not always listed, please use our online search by terminal PN (where appropriate) to minimise cross-referencing errors, and contact us where information is unclear or missing as there may well be something available for your application.

Pistol Grip II

58074-1 - Manual Handle without Head
 58075-1 - Pnuematic Handle without Head
 Ideal for small batch production and repair

Image representative of type only

Features:

Interchangeable Heads
 Complete cycle ratchect control
 Product automatically indexes after insertion
 Head rotates for user convenience



Part Number	Description	mm ² (AWG) or other
608868-1	Complete Tool, for AMPLIMITE HDE - 20	0.05 - 0.6 (30-20)
58579-1	Complete Tool, for MTA 100	0.08 - 0.4 (28-22)
58580-1	Complete Tool, for MTA 156	0.15 - 1.0 (26-18)
58336-1	Head only for AMPMODU MTE Receptacle	0.03 - 0.4 (30-22)
58569-1	Head only for AMPMODU MTE Receptacle	Inserts crimped Contacts into Housing
58246-2	Head only for MTA 100	0.06 - 0.4 (30-22)
58372-1	Head only for, AMP CT 2.0	2 to 28 ways
58063-2	Head only, for AMPLIMITE HDE - 20	0.05 - 0.6 (30-20)
58246-1	Head only, for MTA 100	0.06 - 0.4 (30-22)
58247-1	Head only, for MTA 156	0.15 - 1.0 (26-18)
937317-1	Mini CT MT	2 to 20 Posns

All options not always listed, please use our online search by terminal PN (where appropriate) to minimise cross-referencing errors, and contact us where information is unclear or missing as there may well be something available for your application.

Pistol Grip III

169756-1- Base Tool without Head
 Order Handle and Head separately
 Ideal for small batch production and repair

Image representative of type only

Features:

Interchangeable Heads
 Complete cycle ratchect control
 Product automatically indexes after insertion



Part Number	Description	mm ² (AWG) or other
734043-1	Complete Tool for HE 13/14 (180°)	0.08 - 0.22 (28-24)
734041-1	Complete Tool for HE-13/14 (90°)	0.08 - 0.22 (28-24)
734042-1	Head only for HE-13/14 (180°)	0.08 - 0.22 (28-24)
734040-1	Head only for HE-13/14 (90°)	0.08 - 0.22 (28-24)
870090-1	MT Connector Ribbon cable	2 to 20 Posns

All options not always listed, please use our online search by terminal PN (where appropriate) to minimise cross-referencing errors, and contact us where information is unclear or missing as there may well be something available for your application.

Special Hand Tool for DUOPLUG 2.5

549033-1 - complete tool

Features:

Suitable for low volume production and repair work.

The connector housing is placed in a support frame and the handles are partially closed, then the wire can be inserted up against the wire stop.

Completely closing the handles pushes the wires into the IDC contacts and completes the termination.

Image representative of type only



Hand Tool - ANSLEY 779-2100

1437000-6 for all STD DIP Plugs

Features:

One Stationary Handle

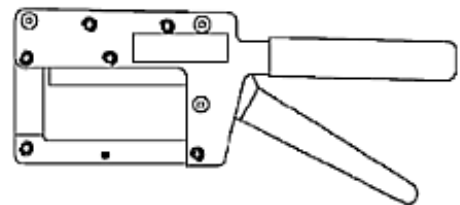
One Moveable Handle

Upper Platten

Lower Platten mounting Plate

Accepts a range of Lower Platten Blocks to crimp a wide variety of products

Image representative of type only



Part Number	Description	mm ² (AWG) or other
1-1437000-2	Platten Block - ANSLEY 609 /622 Ribbon Cable Socket Connectors Use in Hand Tool 1437000-6	10 to 60 Pos
1437000-8	Platten Block - ANSLEY 609 Ribbon Cable Socket Connectors Use in Hand Tool 1437000-6	10 to 64 Pos
1437000-9	Platten Block - ANSLEY 622 Ribbon Cable Socket Connectors Use in Hand Tool 1437000-6	10 to 64 Pos
1-1437000-3	Platten Block - ANSLEY 622 Ribbon Cable Socket Connectors Use in Hand Tool 1437000-6	10 to 60 Pos

All options not always listed, please use our online search by terminal PN (where appropriate) to minimise cross-referencing errors, and contact us where information is unclear or missing as there may well be something available for your application.

Standard Extraction Tool

Standard design for all new applications

Image representative of type only

Features:

- Ergonomic Handle design
- Pull-out and lock protection feature



Part Number	Description	mm ² (AWG) or other
5-1579007-3	AMP MCP 1.2	
1452426-1	AMP MCP 1.2 Clean Body	
1-1579007-1	AMP MCP 1.5	
1-1579007-2	AMP MCP 2.8; SENSOR-TAB 2.8	
1-1579007-3	AMP MCP 4.8, 6.3	
166645-1	AMP MODU IV, V	
1579007-9	AMPLIMITE HD 20	
1-1579007-5	ECONOSEAL III 070	
1579008-5	IEC-Terminal	
4-1579007-1	Locking Tab Receptacle 3.3	
539764-1	MATE-N-LOK 3.5	
1-1579007-7	Maxi Power TIMER	
539971-1	Maxi Power TIMER; MCP	
5-1579007-5	Micro TIMER I	
539960-1	Micro TIMER II, III, IV; TAB 1.6	
1-1579007-0	MK25/60 - for unlocking 47 way Housing 9-1394129-1	
4-1579007-8	MQS	
6-1579007-0	MQS - Clean Body	
5-1579007-4	MQS Pin Contacts with FFC crimp	FFC 13 Posn.
3-1579007-6	MW-GET Pin/Socket	
3-1579007-7	Pin Ø1.5	
1-1579007-8	Pin/Socket Ø2.5	
539967-1	Pin/Socket Ø4.0	
2-1579007-0	Pin/Socket Ø4.0 (SWS)	
1579007-2	RAIL Contact	
539972-1	Socket Ø1.5; TYPE II, III+; CI-2, -3, -H	
1-1579007-6	Standard & Junior Power TIMER; AMP MCP 2.8, 4.8 & 5.8 Tab (symmetric contacts only)	
1-1579007-4	Standard & Junior TIMER; FASTIN-FASTON & Positive Lock 2.8, 4.8, 5.8, 6.3	
2-1579007-1	Standard Power TIMER - John Deer Housings only	
4-1579007-3	Standard TIMER etc. Comprises; 1-1579007-4 & 1-1579007-6	
9-1579007-1	SUPER-SEAL 1.5; MULTILOCK 070	
9-1579007-6	Universal MATE-N-LOK Cap Housings	
9-1579007-5	Universal MATE-N-LOK Plug Housings	

All options not always listed, please use our online search by terminal PN (where appropriate) to minimise cross-referencing errors, and contact us where information is unclear or missing as there may well be something available for your application.

Extraction Tool

Many designs now superseded by the Standard Extraction Tool

Features:

Many design variants

Image representative of type only



Part Number	Description	mm ² (AWG) or other
724712-1	.250 Series Receptacle without Lance	
724713-1	.250 Series Receptacle without Lance	
723986-1	AMP DRAWER	
188688-1	AMP DUAC	
409158-1	AMP DYNAMIC D-5	
843473-1	AMP MODU I, IV, V; TANDEM SPRING	
913923-1	AMP UNIVERSAL Power Connector	
465195-1	AMP-LEAF	
726364-2	AMPLIMITE HD 22	
843477-1	AMPMODU MTE; SHORT-POINT Receptacle	
318837-1	COMM 093	
1276716-1	DYNAMIC D2	
234168-1	DYNAMIC D3	
937313-1	E-J Mk II 070	
91084-1	LOCKING CLIP	
465644-1	MATE-N-LOK	
724763-1	MIC Mk-1 Tab	
723735-1	MIC Mk-1&2	
753787-1	MIC MK-2	
843996-6	MICRO MATE-N-LOK	
726510-1	Micro TIMER I	
726534-2	Micro TIMER II, III, IV; TAB 1.6	
189727-1	Mini-Universal MATE-N-LOK	
91092-1	MQS Pin Contact with FFC crimp	Discrete Wires
455822-2	MR Contacts	
1276565-1	MULTILOCK 025	
755430-1	MULTILOCK 040	
755430-2	MULTILOCK 070	
715131-1	MULTILOCK II 040	
342578-1	PM IV Cable seal- disassembly tool	
342576-1	PM IV Socket Ø3.0 mm	
724659-1	POSITIVE LOCK 187	
785084-1	SUPER-SEAL 1.5 (secondary lock of TAB Connector)	
965713-1	TAB 3.3	
69357-3	TERMI-POINT	0.08 - 0.6 (28-20)
91073-1	TWIN-LEAF	
305183-8	TYPE I	
726423	TYPE XII	

All options not always listed, please use our online search by terminal PN (where appropriate) to minimise cross-referencing errors, and contact us where information is unclear or missing as there may well be something available for your application.

Standard Insertion Tool

Standard design for all new applications

Features:

- Ergonomic Handle design
- Pull-out and lock protection feature

Image representative of type only



Part Number	Description	mm ² (AWG) or other
1-1579007-9	Pin/Socket Ø4.0 (SWS)	

All options not always listed, please use our online search by terminal PN (where appropriate) to minimise cross-referencing errors, and contact us where information is unclear or missing as there may well be something available for your application.

Insertion Tool

Many designs now superseded by the Standard Insertion Tool

Features:

Many design variants

Image representative of type only



Part Number	Description	mm ² (AWG) or other
552714-1	AMP Barrel Terminals	0.4 - 1.0 (22-18)
552714-3	AMP Barrel Terminals	0.08 - 0.2 (28-24)
552714-4	AMPAMP Barrel Terminals Barrel Terminals	0.08 - 0.4 (28-22)
58430-1	AMPLIMITE .050 Shielded Connectors	
726363-1	AMPLIMITE HD 20 DF	
726363-2	AMPLIMITE HD 22	
344525-1	ECONOSEAL III, High Current with Seal	0.5 - 3.0 (21-13)
274250-2	MAG-MATE	
59839-1	MTA-156	
380306-3	PIDG Taper Pin	
965702-1	Pin/Socket Ø1.5 & Ø2.5 (Insulation less than Ø2.1mm)	
965700-1	Pin/Socket Ø4.0	
342577-1	PM IV Cable seal - assembly tool	
658167-1	RV-100	
725830-1	Standard TERMI-POINT	
658033-1	TYPE F	
200893-2	TYPE II, III+	
826791-1	TYPE III+, CI-2 Pin - Seal protection tool	
826790-3	TYPE III+, CI-2 Socket - Cable Seal protection tool	
455830-1	Universal MATE-N-LOK; Mini Universal MATE-N-LOK	
1583255-1	Z-Pack HM-Zd Vertical Pin Header	

All options not always listed, please use our online search by terminal PN (where appropriate) to minimise cross-referencing errors, and contact us where information is unclear or missing as there may well be something available for your application.

Tee Handled Insertion Tool

Features:

Comfortable moulded handle
Moulded-in metal insert for long life

Image representative of type only



Part Number	Description	mm ² (AWG) or other
229384-1	AMP CHAMP Connectors	
91287-1	HDE	
525421-5	HE 13/14	0.08 - 0.22 (28-24)
1-525421-3	IDC Bulb Holder 5 mm	0.2 (24)
525421-6	IDC FASTON	0.2 - 0.4 (22-24)
59803-1	MTA 100	0.08 - 0.4 (28-22)
59804-1	MTA 156	0.15 - 1.0 (26-18)

All options not always listed, please use our online search by terminal PN (where appropriate) to minimise cross-referencing errors, and contact us where information is unclear or missing as there may well be something available for your application.

ROTA-CRIMP Hand Tool

Image representative of type only

Features:

- Very large wire range covered
- Simply rotate the appropriate crimp nest into position
- Ratchet mechanism ensures complete crimp cycle
- Easy access ratchet release



Part Number	Description	mm ² (AWG) or other
600850	Complete tool for SOLISTRAND terminal and splices	10.0 - 120.0 (8-4/0)

All options not always listed, please use our online search by terminal PN (where appropriate) to minimise cross-referencing errors, and contact us where information is unclear or missing as there may well be something available for your application.

Bantam ROTA-CRIMP Hand Tool

Image representative of type only

Features:

- Large wire range covered
- Simply rotate the appropriate crimp nest into position
- Ratchet mechanism ensures complete crimp cycle
- Easy access ratchet release



Part Number	Description	mm ² (AWG) or other
601075	Complete tool for SOLISTRAND terminals and splices	10.0 - 50.0 (8-1/0)

All options not always listed, please use our online search by terminal PN (where appropriate) to minimise cross-referencing errors, and contact us where information is unclear or missing as there may well be something available for your application.

Hydraulic Hand Tool - SOLISTRAND

Image representative of type only

Features:

- Integral Dies, simply rotate the appropriate die into position
- Pump action die closure



Part Number	Description	mm ² (AWG) or other
59975-1	Complete tool for SOLISTRAND terminals & splices	10 - 35 (8-2/0)

All options not always listed, please use our online search by terminal PN (where appropriate) to minimise cross-referencing errors, and contact us where information is unclear or missing as there may well be something available for your application.

'U' Die Assy

A range of Die-sets for Heavy Duty crimping

Features:

Die outline dimensions conform to 'U' Die Industry Standard

Use in:

1490748-1 'U' Die 12 Ton Hydraulic Hand Tool

1490749-1 'U' Die 14 Ton Hydraulic Hand Tool

or

1901820-1 'U' Die 12 Ton Hydraulic Head

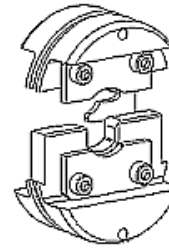
1490747-1 'U' Die 12 Ton Hydraulic Head (Titanium)

1901821-1 'U' Die 12 Ton Hydraulic Head - 1.5

or

any 12 ton (min) compatible proprietary equipment

Image representative of type only



Part Number	Description	mm ² (AWG) or other
1583092-1	AMPOWER - Complete Die-set	16.0 (6)
1583093-1	AMPOWER - Complete Die-set	25.0 (4)
1583094-1	AMPOWER - Complete Die-set	35.0 (2)
1583095-1	AMPOWER - Complete Die-set	50.0 (1/0)
1583096-1	AMPOWER - Complete Die-set	70.0 (2/0)
1583097-1	AMPOWER - Complete Die-set	95.0 (3/0)
1490597-1	TERMINYL - Complete Die-set (PLASTI-GRIP where no insulation crimp is required)	10.0 (8)
1490598-1	TERMINYL - Complete Die-set (PLASTI-GRIP where no insulation crimp is required)	16.0 (6)
1490599-1	TERMINYL - Complete Die-set (PLASTI-GRIP where no insulation crimp is required)	25.0 (4)

All options not always listed, please use our online search by terminal PN (where appropriate) to minimise cross-referencing errors, and contact us where information is unclear or missing as there may well be something available for your application.

'U' Die Assy (14 ton)

A range of Die-sets for Heavy Duty crimping

Features:

Die outline dimensions conform to 'U' Die Industry Standard

Use in:

1490749-1 'U' Die 14 Ton Hydraulic Hand Tool

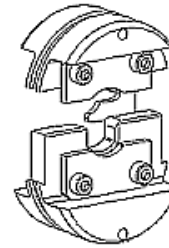
or

1901821-1 'U' Die 14 Ton Hydraulic Head

or

any 14 ton (min) compatible proprietary equipment

Image representative of type only



Part Number	Description	mm ² (AWG) or other
1490410-1	AMPLIBOND and PLASTI-GRIP - Complete Die-set	35.0 (2)
1490534-1	AMPLIBOND and PLASTI-GRIP - Complete Die-set	10.0 (8)
1490535-1	AMPLIBOND and PLASTI-GRIP - Complete Die-set	16.0 (6)
1490536-1	AMPLIBOND and PLASTI-GRIP - Complete Die-set	25.0 (4)
1583098-1	AMPOWER - Complete Die-set	120.0 (4/0)
1490714-1	Insulation piercing crimp COPALUM Terminals and Splices	Al 10.0 (8) Cu 8.0 (10)
1490715-1	Insulation piercing crimp COPALUM Terminals and Splices	Al 16.0 (6) Cu 10.0 (8)
1490716-1	Insulation piercing crimp COPALUM Terminals and Splices	Al 25.0 (4) Cu 16.0 (6)
1490717-1	Insulation piercing crimp COPALUM Terminals and Splices	Al 35.0 (2) Cu 25.0 (4)
1490718-1	Insulation piercing crimp COPALUM Terminals and Splices	Al 50.0 (1/0) Cu 35.0 (2)
1490555-1	Sealed crimp COPALUM Terminals and Splices	Al 10.0 (8) Cu 8.0 (10)
1490556-1	Sealed crimp COPALUM Terminals and Splices	Al 16.0 (6) Cu 10.0 (8)
1490557-1	Sealed crimp COPALUM Terminals and Splices	Al 25.0 (4) Cu 16.0 (6)
1490572-1	Sealed crimp COPALUM Terminals and Splices	Al 10.0 (8) Cu 8.0 (10)
1490573-1	Sealed crimp COPALUM Terminals and Splices	Al 16.0 (6) Cu 10.0 (8)
1490574-1	Sealed crimp COPALUM Terminals and Splices	Al 25.0 (4) Cu 16.0 (6)
1490575-1	Sealed crimp COPALUM Terminals and Splices	Al 35.0 (2) Cu 25.0 (4)
1490576-1	Sealed crimp COPALUM Terminals and Splices	Al 50.0 (1/0) Cu 35.0 (2)
1490406-1	TERMINYL - Complete Die-set (PLASTI-GRIP where no insulation crimp is required)	35.0 (2)
1490700-1	TERMINYL - Complete Die-set (PLASTI-GRIP where no insulation crimp is required)	50.0 (1/0)

All options not always listed, please use our online search by terminal PN (where appropriate) to minimise cross-referencing errors, and contact us where information is unclear or missing as there may well be something available for your application.

'U' Die Nest

A range of Die Nests for heavy duty crimping

Image representative of type only

Features:

Nest outline dimensions conform to 'U' Die Industry Standard

Use in:

1490748-1 'U' Die 12 Ton Hydraulic Hand Tool

1490749-1 'U' Die 14 Ton Hydraulic Hand Tool

or

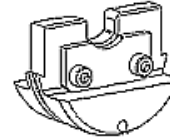
1901820-1 'U' Die 12 Ton Hydraulic Head

1490747-1 'U' Die 12 Ton Hydraulic Head (Titanium)

1901821-1 'U' Die 12 Ton Hydraulic Head - 1.5

or

any 12 ton (min) compatible proprietary equipment



Part Number	Description	mm ² (AWG) or other
1490413-9	heavy duty SOLISTRAND - use with Indenter 1490414-2	10.0 (8)
1-1490413-0	heavy duty SOLISTRAND - use with Indenter 1490414-2	16.0 (6)
1-1490413-1	heavy duty SOLISTRAND - use with Indenter 1490414-2	25.0 (4)
1-1490413-2	heavy duty SOLISTRAND - use with Indenter 1490414-3	35.0 (2)
1-1490413-3	heavy duty SOLISTRAND - use with Indenter 1490414-3	50.0 (1/0)
1490413-1	SOLISTRAND - use with Indenter 1490414-1	10.0 (8)
1490413-2	SOLISTRAND - use with Indenter 1490414-2	16.0 (6)
1490413-3	SOLISTRAND - use with Indenter 1490414-2	25.0 (4)
1490413-4	SOLISTRAND - use with Indenter 1490414-2	35.0 (2)
1490413-5	SOLISTRAND - use with Indenter 1490414-3	50.0 (1/0)
1490413-6	SOLISTRAND - use with Indenter 1490414-3	70.0 (2/0)
1490413-7	SOLISTRAND - use with Indenter 1490414-3	95.0 (3/0)
1490413-8	SOLISTRAND - use with Indenter 1490414-3	120.0 (4/0)
1752680-1	SOLISTRAND Flag - use with Indenter 1752681-1	120.0 (4/0)
1752680-2	SOLISTRAND Flag - use with Indenter 1752681-1	95.0 (3/0)
1752680-3	SOLISTRAND Flag - use with Indenter 1752681-1	70.0 (2/0)
1752680-4	SOLISTRAND Flag - use with Indenter 1752681-1	50.0 (1/0)
1752680-8	SOLISTRAND Flag - use with Indenter 1752681-2	10.0 (8)
1752680-5	SOLISTRAND Flag - use with Indenter 1752681-3	35.0 (2)
1752680-6	SOLISTRAND Flag - use with Indenter 1752681-3	25.0 (4)
1752680-7	SOLISTRAND Flag - use with Indenter 1752681-3	16.0 (6)

All options not always listed, please use our online search by terminal PN (where appropriate) to minimise cross-referencing errors, and contact us where information is unclear or missing as there may well be something available for your application.

'U' Die Indenter

A range of Indenters for Heavy Duty crimping

Image representative of type only

Features:

Indenter outline dimensions conform to 'U' Die Industry Standard

Use in:

1490748-1 'U' Die 12 Ton Hydraulic Hand Tool

1490749-1 'U' Die 14 Ton Hydraulic Hand Tool

or

1901820-1 'U' Die 12 Ton Hydraulic Head

1490747-1 'U' Die 12 Ton Hydraulic Head (Titanium)

1901821-1 'U' Die 12 Ton Hydraulic Head - 1.5

or

any 12 ton (min) compatible proprietary equipment



Part Number	Description	mm ² (AWG) or other
1490414-1	SOLISTRAND - use with Nest 1490413-1	10.0 (8)
1490414-2	SOLISTRAND - use with Nests; 1490413-2, 1490413-3, 1490413-4	16.0 - 35.0 (6-2)
1490414-3	SOLISTRAND - use with Nests; 1490413-5, 1490413-6, 1490413-7, 1490413-8	50.0 - 120.0 (1/0-4/0)
1752681-2	SOLISTRAND Flag - use with nest 1752680-8	10.0 (8)
1752681-1	SOLISTRAND Flag - use with nests; 1752680-1, 1752680-2, 1752680-3, 1752680-4	50.0 - 120.0 (1/0-4/0)
1752681-3	SOLISTRAND Flag - use with nests; 1752680-5, 1752680-6, 1752680-7	16.0 - 35.0 (6-2)

All options not always listed, please use our online search by terminal PN (where appropriate) to minimise cross-referencing errors, and contact us where information is unclear or missing as there may well be something available for your application.

'U' Die 12 Ton Hydraulic Hand Tool

Suitable for ALL 'U' Dies - with the exception of 'U' Die Assy (14 ton)

Image representative of type only

Features:

36.5mm (1.2") stroke for faster crimping

Pump action die closure



Part Number	Description	mm ² (AWG) or other
1490748-1	Tool without Die-set (U Die alternative to 59974-1)	Dependent on Terminal Type

All options not always listed, please use our online search by terminal PN (where appropriate) to minimise cross-referencing errors, and contact us where information is unclear or missing as there may well be something available for your application.

'U' Die 14 Ton Hydraulic Hand Tool

Suitable for ALL 'U' Dies

Features:

38mm (1.5") stroke
Pump action die closure

Image representative of type only



Part Number	Description	mm ² (AWG) or other
1490749-1	Tool without Die-set (U Die alternative to 59974-1)	Dependent on Terminal Type
<i>All options not always listed, please use our online search by terminal PN (where appropriate) to minimise cross-referencing errors, and contact us where information is unclear or missing as there may well be something available for your application.</i>		

Hydraulic Head - SOLISTRAND

A version of 59975-1 for use with powered options

Features:

Integral Dies, simply rotate the appropriate die into position
Use with:
Optional Hose Assemblies; 1583662-1, 1583662-2 or 1583662-3
Respectively; 1.83 M (6'), 3 M (10'), 6.1 M (20')
Hand Pump 1583661-1
Foot Pump 1583659-1
Electric-Hydraulic Pumps; 439798-2, 523199-1

Image representative of type only



Part Number	Description	mm ² (AWG) or other
1673672-1	Complete tool for SOLISTRAND	10 - 35 (8-2/0)
<i>All options not always listed, please use our online search by terminal PN (where appropriate) to minimise cross-referencing errors, and contact us where information is unclear or missing as there may well be something available for your application.</i>		

'U' Die 12 Ton Hydraulic Head

Suitable for ALL 'U' Dies - with the exception of 'U' Die Assy (14 ton)

Features:

36.5mm (1.2") stroke for fast cycle
 Rated for use with 700 bar (10,000 psi) pump units

Use with:

Optional Hose Assemblies; 1583662-1, 1583662-2 or 1583662-3
 Respectively; 1.83 M (6'), 3 M (10'), 6.1 M (20')
 Hand Pump 1583661-1
 Foot Pump 1583659-1
 Electric-Hydraulic Pumps; 439798-2, 523199-1

Image representative of type only



Part Number	Description	mm ² (AWG) or other
1901820-1	Head without dies (U Die alternative to 69051)	Dependent on Terminal Type
1490747-1	Lightweight Titanium Head without dies (U Die alternative to 69051)	Dependent on Terminal Type

All options not always listed, please use our online search by terminal PN (where appropriate) to minimise cross-referencing errors, and contact us where information is unclear or missing as there may well be something available for your application.

'U' Die 12 Ton Hydraulic Head - 1.5

Suitable for ALL 'U' Dies - with the exception of:

1583097-1
 1583098-1
 1490576-1

Features:

38mm (1.5") stroke
 Rated for use with 700 bar (10,000 psi) pump units

Use with:

Optional Hose Assemblies; 1583662-1, 1583662-2 or 1583662-3
 Respectively; 1.83 M (6'), 3 M (10'), 6.1 M (20')
 Hand Pump 1583661-1
 Foot Pump 1583659-1
 Electric-Hydraulic Pumps; 439798-2, 523199-1

Image representative of type only



Part Number	Description	mm ² (AWG) or other
1901821-1	Head without dies (U Die alternative to 69051)	Dependent on Terminal Type

All options not always listed, please use our online search by terminal PN (where appropriate) to minimise cross-referencing errors, and contact us where information is unclear or missing as there may well be something available for your application.

Die-set - Hydraulic Head Open (Shank Die)*Image representative of type only***Features:**

Can be used with

Head 1752868-1 - 700 bar (10,000 psi)

or

Head 69099 - 580 bar (8,200 psi)



Part Number	Description	mm ² (AWG) or other
68200-1	AMPOWER Quick Disconnect Terminals	50.0 (1/0)
68201-1	AMPOWER Quick Disconnect Terminals	70.0 (2/0)
59867-1	AMPOWER Quick Disconnect Terminals - has a Locator	95.0 (3/0)
68203-1	AMPOWER Quick Disconnect Terminals - has a Locator	250 MCM
68253-1	AMPOWER Quick Disconnect Terminals - has a Locator	70.0 (2/0)
68304-1	AMPOWER Quick Disconnect Terminals - has a Locator	120.0 (4/0)
68361-1	AMPOWER Quick Disconnect Terminals - has a Locator	50.0 (1/0)
46749-2	AMPOWER Terminals and Splices	95 (3/0)
46750-2	AMPOWER Terminals and Splices	120 (4/0)
46751-2	AMPOWER Terminals and Splices	250 MCM
46752-2	AMPOWER Terminals and Splices	300 MCM
46753-2	AMPOWER Terminals and Splices	350 MCM
46765-3	AMPOWER Terminals and Splices	35.0 (2)
46766-2	AMPOWER Terminals and Splices	50.0 (1/0)
46767-2	AMPOWER Terminals and Splices	70 (2/0)
69133-1	AMPOWER Terminals and Splices	16.0 (6)
69134-2	AMPOWER Terminals and Splices	25.0 (4)
68084	Insulation piercing crimp COPALUM Terminals and Splices	Al 10.0 (8) Cu 8.0 (10)
68131	Insulation piercing crimp COPALUM Terminals and Splices	Al 50.0 (1/0) Cu 35.0 (2)
68048	Sealed crimp COPALUM Terminals and Splices	Al 70.0 (2/0) Cu 50.0 (1/0)
45436-1	SOLISTRAND Butt Splices	1/0
45436	SOLISTRAND Terminals & Splices	50.0 (1/0)
45439	SOLISTRAND Terminals & Splices	70.0 (2/0)
45442	SOLISTRAND Terminals & Splices	95.0 (3/0)
45445	SOLISTRAND Terminals & Splices	120.0 (4/0)
69216	SOLISTRAND Terminals & Splices	10.0 (8)
69217	SOLISTRAND Terminals & Splices	8.0 - 35.0 (6-2)
69218	SOLISTRAND Terminals & Splices	25.0 (4)
69211-1	STRATOTHERM Terminals and Splices	10.0 (8)
69212-1	STRATOTHERM Terminals and Splices	16 (6)
69213-1	STRATOTHERM Terminals and Splices	25.0 (4)
69214-1	STRATOTHERM Terminals and Splices	35.0 (2)
69215-1	STRATOTHERM Terminals and Splices	50 (1/0)
69254-1	STRATOTHERM Terminals and Splices	70 (2/0)

All options not always listed, please use our online search by terminal PN (where appropriate) to minimise cross-referencing errors, and contact us where information is unclear or missing as there may well be something available for your application.

Hydraulic Head Open (Shank Die)

Image representative of type only

Features:

Rated for use with 700 bar (10,000 psi) pump units

Use with:

Optional Hose Assemblies; 1583662-1, 1583662-2 or 1583662-3
Respectively; 1.83 M (6'), 3 M (10'), 6.1 M (20')

Hand Pump 1583661-1

Foot Pump 523199-2

Electric-Hydraulic Pumps; 439798-2, 523199-1



Part Number	Description	mm ² (AWG) or other
1752868-1	Hydraulic Head without Die-set (700 bar equivalent of 69099)	Dependent on Terminal Type

All options not always listed, please use our online search by terminal PN (where appropriate) to minimise cross-referencing errors, and contact us where information is unclear or missing as there may well be something available for your application.

Hydraulic Head Open - Dyna-Crimp

Image representative of type only

Features:

Rated for use with 580 bar (8,200 psi) pump units

Hand Pump 314979-1

Foot Pump 523199-3

Electric-Hydraulic Pump; 439798-1



Part Number	Description	mm ² (AWG) or other
69099	Hydraulic Head without Die-Set	Dependent on Terminal Type

All options not always listed, please use our online search by terminal PN (where appropriate) to minimise cross-referencing errors, and contact us where information is unclear or missing as there may well be something available for your application.

Die-set - Hydraulic Head Closed (Shank Die)*Image representative of type only***Features:**

Can be used with

Heads 1752787-1 & 1742877-1 - 700 bar (10,000 psi)

or

Heads 58422-1 & 69066 - 580 bar (8,200 psi)



Part Number	Description	mm ² (AWG) or other
47236-1	AMPLIBOND and PLASTI-GRIP Large Expansion Terminals	10.0 (8)
47237-1	AMPLIBOND and PLASTI-GRIP Large Expansion Terminals	16.0 (6)
47238-1	AMPLIBOND and PLASTI-GRIP Large Expansion Terminals	25.0 (4)
47239-1	AMPLIBOND and PLASTI-GRIP Large Expansion Terminals	35.0 (2)
47278-1	AMPLIBOND and PLASTI-GRIP Large Expansion Terminals	50.0 (1/0)
48756-1	AMPLIBOND and PLASTI-GRIP terminals and splices	50.0 (1/0)
48757-1	AMPLIBOND and PLASTI-GRIP terminals and splices	70.0 (2/0)
48758-1	AMPLIBOND and PLASTI-GRIP terminals and splices	95.0 (3/0)
48759-1	AMPLIBOND and PLASTI-GRIP terminals and splices	120.0 (4/0)
48858-1	AMPLIBOND and PLASTI-GRIP terminals and splices	10.0 (8)
48859-1	AMPLIBOND and PLASTI-GRIP terminals and splices	16.0 (6)
48860-1	AMPLIBOND and PLASTI-GRIP terminals and splices	25.0 (4)
48861-1	AMPLIBOND and PLASTI-GRIP terminals and splices	35.0 (2)
59877-1	Sealed crimp COPALUM Terminals and Splices	95.0 (3/0)
68006	Sealed crimp COPALUM Terminals and Splices	Al 10.0 (8) Cu 8.0 (10)
68007	Sealed crimp COPALUM Terminals and Splices	Al 16.0 (6) Cu 10.0 (8)
68008	Sealed crimp COPALUM Terminals and Splices	Al 25.0 (4) Cu 16.0 (6)
68009	Sealed crimp COPALUM Terminals and Splices	Al 35.0 (2) Cu 25.0 (4)
68010-1	Sealed crimp COPALUM Terminals and Splices	Al 50.0 (1/0) Cu 35.0 (2)
314964-1	Sealed crimp COPALUM Terminals and Splices	Al 70.0 (2/0) Cu 50.0 (1/0)
47824	TERMINYL terminals and splices	50.0 (1/0)
47825	TERMINYL terminals and splices	70.0 (2/0)
47915	TERMINYL terminals and splices	95.0 (3/0)
47918	TERMINYL terminals and splices	120.0 (4/0)
69463	TERMINYL terminals and splices	25.0 (4) HD

All options not always listed, please use our online search by terminal PN (where appropriate) to minimise cross-referencing errors, and contact us where information is unclear or missing as there may well be something available for your application.

Hydraulic Head Closed (Shank Die)

Image representative of type only

Features:

Rated for use with 700 bar (10,000 psi) pump units

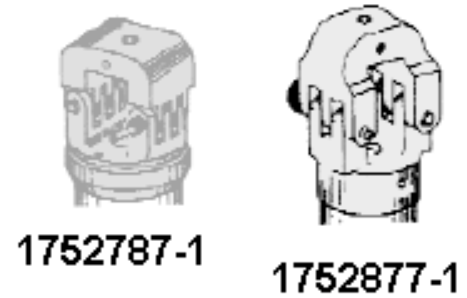
Use with:

Optional Hose Assemblies; 1583662-1, 1583662-2 or 1583662-3
Respectively; 1.83 M (6'), 3 M (10'), 6.1 M (20')

Hand Pump 1583661-1

Foot Pump 523199-2

Electric-Hydraulic Pumps; 439798-2, 523199-1



Part Number	Description	mm ² (AWG) or other
1752877-1	Hydraulic Head without Die-set (700 bar equivalent of 69066) - lighter than 1752787-1	Dependent on Terminal Type
1752787-1	Hydraulic Head without Die-set (700 bar equivalent of r 58422-1)	Dependent on Terminal Type

All options not always listed, please use our online search by terminal PN (where appropriate) to minimise cross-referencing errors, and contact us where information is unclear or missing as there may well be something available for your application.

Hydraulic Head Closed - Dyna-Crimp

Image representative of type only

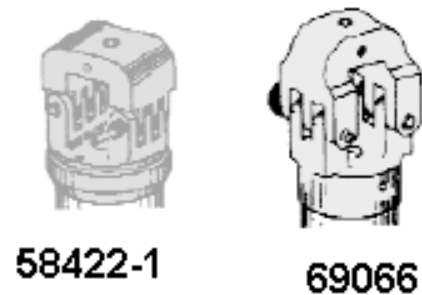
Features:

Rated for use with 580 bar (8,200 psi) pump units

Hand Pump 314979-1

Foot Pump 523199-3

Electric-Hydraulic Pump; 439798-1



Part Number	Description	mm ² (AWG) or other
58422-1	Head without dies	Dependent on Terminal Type
69066	Head without dies - lighter than 58422-1	Dependent on Terminal Type

All options not always listed, please use our online search by terminal PN (where appropriate) to minimise cross-referencing errors, and contact us where information is unclear or missing as there may well be something available for your application.

Die-set - Hydraulic Head Open (Shank Die H'Duty)

Image representative of type only

Features:

Can be used with

Head 1752786-1 - 700 bar (10,000 psi)

or

Head 69082 - 580 bar (8,200 psi)



Part Number	Description	mm ² (AWG) or other
46757-3	AMPOWER Quick Disconnect Terminals	600 MCM
68204-1	AMPOWER Quick Disconnect Terminals	350 MCM
68206-1	AMPOWER Quick Disconnect Terminals - Dual Crimp	500 MCM
68332-1	AMPOWER Quick Disconnect Terminals - Dual Crimp	400 MCM
46754-2	AMPOWER Terminals and Splices	400 MCM
46755-2	AMPOWER Terminals and Splices	500 MCM
46756-2	AMPOWER Terminals and Splices	600 MCM
46757-2	AMPOWER Terminals and Splices	700 MCM HD
46758-2	AMPOWER Terminals and Splices	800 MCM HD
46759-2	AMPOWER Terminals and Splices	900 MCM HD
46760-2	AMPOWER Terminals and Splices	1,000 MCM HD
59870-1	AMPOWER Terminals and Splices	600 MCM HD
69653	AMPOWER Terminals and Splices	350 MCM
68129	Insulation piercing crimp COPALUM Terminals and Splices	Al 120.0 (4/0) Cu 95.0 (3/0)
69911	SOLISTRAND Terminals & Splices	250 - 300 MCM
69912	SOLISTRAND Terminals & Splices	300 - 350 MCM
69913	SOLISTRAND Terminals & Splices	400 MCM
69914	SOLISTRAND Terminals & Splices	500 - 600 MCM

All options not always listed, please use our online search by terminal PN (where appropriate) to minimise cross-referencing errors, and contact us where information is unclear or missing as there may well be something available for your application.

Hydraulic Head Open (Shank Die Heavy Duty)

Image representative of type only

Features:

Rated for use with 700 bar (10,000 psi) pump units

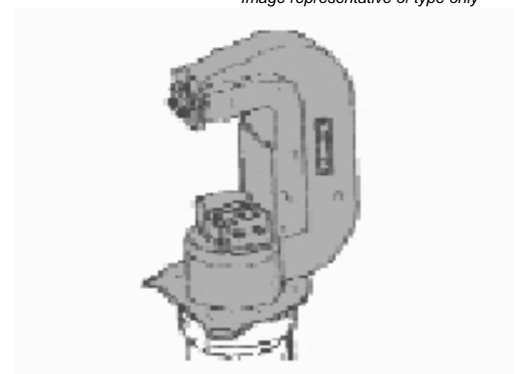
Use with:

Optional Hose Assemblies; 1583662-1, 1583662-2 or 1583662-3
Respectively; 1.83 M (6'), 3 M (10'), 6.1 M (20')

Hand Pump 1583661-1

Foot Pump 523199-2

Electric-Hydraulic Pumps; 439798-2, 523199-1



Part Number	Description	mm ² (AWG) or other
1752786-1	Hydraulic Head without Die-set (700 bar equivalent of 69082)	Dependent on Terminal Type

All options not always listed, please use our online search by terminal PN (where appropriate) to minimise cross-referencing errors, and contact us where information is unclear or missing as there may well be something available for your application.

Hydraulic Head Open (Heavy Duty) - Dyna-Crimp

Features:

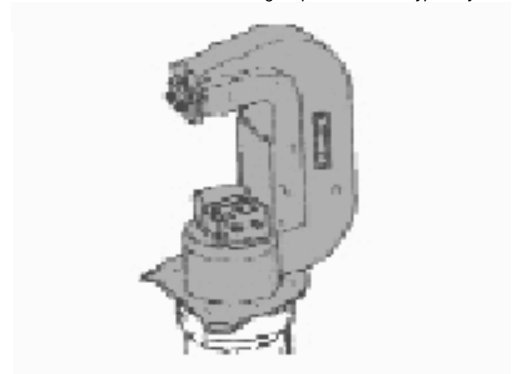
Rated for use with 580 bar (8,200 psi) pump units

Hand Pump 314979-1

Foot Pump 523199-3

Electric-Hydraulic Pump; 439798-1

Image representative of type only



Part Number	Description	mm ² (AWG) or other
69082	Head without dies	Dependent on Terminal Type

All options not always listed, please use our online search by terminal PN (where appropriate) to minimise cross-referencing errors, and contact us where information is unclear or missing as there may well be something available for your application.

Die-set - Hydraulic Head Closed (Shank Die H'Duty)

Features:

Can be used with

Head 1752788-1 - 700 bar (10,000 psi)

or

Heads 58445-1 - 580 bar (8,200 psi)

Image representative of type only



Part Number	Description	mm ² (AWG) or other
46326-2	AMPOWER Terminals and Splices	250 MCM
48816	SOLISTRAND Terminals & Splices	250 - 300 MCM
48817	SOLISTRAND Terminals & Splices	300 - 350 MCM
48818	SOLISTRAND Terminals & Splices	400 MCM
48819	SOLISTRAND Terminals & Splices	500 - 600 MCM

All options not always listed, please use our online search by terminal PN (where appropriate) to minimise cross-referencing errors, and contact us where information is unclear or missing as there may well be something available for your application.

Hydraulic Head Closed (Shank Die Heavy Duty)

Features:

Rated for use with 700 bar (10,000 psi) pump units

Use with:

Optional Hose Assemblies; 1583662-1, 1583662-2 or 1583662-3
Respectively; 1.83 M (6'), 3 M (10'), 6.1 M (20')

Hand Pump 1583661-1

Foot Pump 523199-2

Electric-Hydraulic Pumps; 439798-2, 523199-1

Image representative of type only



Part Number	Description	mm ² (AWG) or other
1752788-1	Heavy Duty Hydraulic Head without Die-set (700 bar equivalent of 58445-1)	Dependent on Terminal Type

All options not always listed, please use our online search by terminal PN (where appropriate) to minimise cross-referencing errors, and contact us where information is unclear or missing as there may well be something available for your application.

Hydraulic Head Closed (Heavy duty) - Dyna-Crimp

Features:

Rated for use with 580 bar (8,200 psi) pump units

Hand Pump 314979-1

Foot Pump 523199-3

Electric-Hydraulic Pump; 439798-1

Image representative of type only



Part Number	Description	mm ² (AWG) or other
58445-1	Head without dies	Dependent on Terminal Type

All options not always listed, please use our online search by terminal PN (where appropriate) to minimise cross-referencing errors, and contact us where information is unclear or missing as there may well be something available for your application.

Electric Hydraulic Pump, heavy duty

Image representative of type only

Features:

- Two speed cycle reduces cycle time for improved productivity
- Footswitch included
- Pump shuts down after pressure-switch setting is reached
- Supplied with 1.8 meter hose
- Easy to read integrated oil level sight glass
- Totally enclosed fan-cooled motor - ideal for use in any environment
- Quiet operation 70-79 dBA
- Swivel wheels provide easy manoeuvrability



Part Number	Description	mm ² (AWG) or other
439798-1	Heavy Duty Pump 580 bar (8,200 psi) suitable for continuous use	
439798-2	Heavy Duty Pump 700 bar (10,000 psi) suitable for continuous use	

All options not always listed, please use our online search by terminal PN (where appropriate) to minimise cross-referencing errors, and contact us where information is unclear or missing as there may well be something available for your application.

Electric Hydraulic Pump, light duty

Image representative of type only

Features:

- Lightweight and compact design 10 kg
- Large Carry-handle for easy portability
- Two speed cycle reduces cycle time for improved productivity
- 24 v DC remote motor control, 3m length for operator safety
- Starts under full load
- High strength moulded shroud
- Supplied with male quick coupler (no hose supplied)



Pressure Gauge options:

- 523200-1 Pressure Gauge
- 523200-2 Digital Pressure Gauge
- 523200-3 1/4" Adapter (required when using either Gauge)

Part Number	Description	mm ² (AWG) or other
523199-1	Portable pump 700 bar (10,000 psi) suitable for intermittent duty cycle	

All options not always listed, please use our online search by terminal PN (where appropriate) to minimise cross-referencing errors, and contact us where information is unclear or missing as there may well be something available for your application.

Hydraulic Hand Pump

Features:

This pump action unit allows hydraulic heads via optional length hydraulic hoses a degree of positional flexibility

Image representative of type only



Part Number	Description	mm ² (AWG) or other
1583661-1	Hand Pump 700 bar (10,000 psi)	

All options not always listed, please use our online search by terminal PN (where appropriate) to minimise cross-referencing errors, and contact us where information is unclear or missing as there may well be something available for your application.

Hydraulic Foot Pump

580 (8,500 psi) & 700 bar (10,000 psi) options

Features:

Pump action operation
 Clicker valve pressure regulation
 Supplied with male quick-coupling

Image representative of type only



Part Number	Description	mm ² (AWG) or other
523199-3	Max pressure rating 580 bar (8,500 psi)	
523199-2	Max pressure rating 700 bar (10,000 psi)	

All options not always listed, please use our online search by terminal PN (where appropriate) to minimise cross-referencing errors, and contact us where information is unclear or missing as there may well be something available for your application.

Battery-Hydraulic Tool 100 KN

1-1579002-9 - with closed head design
 The listed Hex crimp Dies conform to DIN 48083
 Lugs to be applied should conform to DIN 46234

Image representative of type only

Features:

- Fast battery re-charge in 15 minutes
- 50 cycles approx. with one charge
- Rotating head for easy access
- Bench mount option

Accessories (not included):

- 7-1579005-7 Battery charger
- 7-1579005-8 Battery
- 7-1579005-9 Bench- mount
- 8-1579005-0 Carry Case
- 8-1579005-1 Foam inlay



Part Number	Description	mm ² (AWG) or other
1-1579009-7	Die-set - 14mm; for Tubular Cable Lugs & Cast Battery Lugs	Cu 10 mm ²
1-1579009-8	Die-set - 14mm; for Tubular Cable Lugs & Cast Battery Lugs	Cu 16 mm ² ; Al 10 mm ²
1-1579009-9	Die-set - 14mm; for Tubular Cable Lugs & Cast Battery Lugs	Cu 25 mm ²
2-1579009-0	Die-set - 14mm; for Tubular Cable Lugs & Cast Battery Lugs	Cu 35 mm ² ; Al 16-25 mm ²
2-1579009-1	Die-set - 14mm; for Tubular Cable Lugs & Cast Battery Lugs	Cu 50 mm ² ; Al 35 mm ²
2-1579009-2	Die-set - 14mm; for Tubular Cable Lugs & Cast Battery Lugs	Cu 70 mm ² ; Al 50 mm ²
2-1579009-3	Die-set - 14mm; for Tubular Cable Lugs & Cast Battery Lugs	Cu 95 mm ² ; Al 70 mm ²
2-1579009-4	Die-set - 14mm; for Tubular Cable Lugs & Cast Battery Lugs	Cu 120 mm ²
2-1579009-5	Die-set - 14mm; for Tubular Cable Lugs & Cast Battery Lugs	Cu 150 mm ² ; Al 95-120 mm ²
2-1579009-6	Die-set - 14mm; for Tubular Cable Lugs & Cast Battery Lugs	Cu 185 mm ² ; Al 150 mm ²
2-1579009-7	Die-set - 14mm; for Tubular Cable Lugs & Cast Battery Lugs	Cu 240 mm ² ; Al 185 mm ²
2-1579009-8	Die-set - 14mm; for Tubular Cable Lugs & Cast Battery Lugs	Cu 300 mm ² ; Al 240 mm ²
1579009-3	Die-set - 7mm; for Tubular Cable Lugs & Cast Battery Lugs	Cu 10 mm ²
1579009-4	Die-set - 7mm; for Tubular Cable Lugs & Cast Battery Lugs	Cu 16 mm ² ; Al 10 mm ²
1579009-5	Die-set - 7mm; for Tubular Cable Lugs & Cast Battery Lugs	Cu 25 mm ²
1579009-6	Die-set - 7mm; for Tubular Cable Lugs & Cast Battery Lugs	Cu 35 mm ² ; Al 16-25 mm ²
1579009-7	Die-set - 7mm; for Tubular Cable Lugs & Cast Battery Lugs	Cu 50 mm ² ; Al 35 mm ²
1579009-8	Die-set - 7mm; for Tubular Cable Lugs & Cast Battery Lugs	Cu 70 mm ² ; Al 50 mm ²
1579009-9	Die-set - 7mm; for Tubular Cable Lugs & Cast Battery Lugs	Cu 95 mm ² ; Al 70 mm ²
1-1579009-0	Die-set - 7mm; for Tubular Cable Lugs & Cast Battery Lugs	Cu 120 mm ²
1-1579009-2	Die-set - 7mm; for Tubular Cable Lugs & Cast Battery Lugs	Cu 150 mm ² ; Al 95-120 mm ²
1-1579009-3	Die-set - 7mm; for Tubular Cable Lugs & Cast Battery Lugs	Cu 185 mm ² ; Al 150 mm ²
1-1579009-4	Die-set - 7mm; for Tubular Cable Lugs & Cast Battery Lugs	Cu 240 mm ² ; Al 185 mm ²

All options not always listed, please use our online search by terminal PN (where appropriate) to minimise cross-referencing errors, and contact us where information is unclear or missing as there may well be something available for your application.

Group Cutter

1490498-1

Features:

Suitable for Copper or Aluminum, solid or stranded to 35 mm² (2 awg) and Coax to RG 9
Steel handles lock together for safe storage
Non-slip plastic handle grips
Not for Steel or ACSR cable

Image representative of type only



Cable Cutter 350 mcm

605744-1

Features:

Suitable for Copper or Aluminum, solid or stranded to 185 mm² (350 MCM)
Steel Handles
Non-slip plastic handle grips
Not for Steel or ACSR cable

Image representative of type only



Cable Cutter 500 mcm

605742-1

Features:

Suitable for Copper or Aluminum, solid or stranded to 300 mm² (500 MCM)
Fibreglass Handles
Non-slip plastic handle grips
Not for Steel or ACSR cable

Image representative of type only



Cable Cutter 350 mcm with Ratchet

1490489-1

Features:

Suitable for Copper or Aluminum, solid or stranded to 180 mm² (350 MCM)
Handles lock together for safe storage
Ratchet mechanism keeps handle force low
Non-slip plastic handle grips
Not for Steel or ACSR cable

Image representative of type only



Cable Cutter 500 mcm with Ratchet

607453-2

Features:

Suitable for Copper or Aluminum, solid or stranded to 300 mm² (500 MCM)
Fibreglass Handles
Non-slip plastic handle grips
Not for Steel or ACSR cable

Image representative of type only



Cable Cutters SH Range

A range of heavy duty Cable Cutting tools

Features:

- Very compact and lightweight
- One handed - low handle closing force
- Burr free cutting
- Lockable cutting stroke
- Non-slip plastic hand grips

Image representative of type only



Part Number	Description	mm ² (AWG) or other
169415-1	solid and stranded copper and aluminium cables	Solid Cu 185 mm ² Solid Al 240 mm ² Stranded Cu / Al Ø25 Hi Flex Cu Ø32
734045-1	solid and stranded copper and aluminium cables	Solid Cu 185 mm ² Solid Al 185 mm ² Stranded Cu / Al Ø52 Hi Flex Cu Ø52
1-1579002-8	solid and stranded copper and aluminium cables (no ASCR)	Solid Cu 480 mm ² Solid Al 480 mm ² Stranded Cu / Al Ø54

All options not always listed, please use our online search by terminal PN (where appropriate) to minimise cross-referencing errors, and contact us where information is unclear or missing as there may well be something available for your application.

Corex Coax Stripper

For Cables with a Jacket diameter of 2.54 to 7.62 mm

Features:

- Complete cable strip
- Easy cutter adjustment
- Simple rotary cutting motion
- Colour coded cassettes
- Pre-set strip lengths

Image representative of type only



Part Number	Description	mm ² (AWG) or other
603995-2	2 step cable stripper for Comercial BNC connectors and RG 58 / 59 / 62 cable. 9.2 mm outer jacket strip length. Spare Cassete Blue, PN 603996-2	Cables diameters from 5mm to 6.5mm
603995-1	2 step cable stripper for Single crimp BNC connectors and RG 195 / 180 cable. 6 mm outer jacket strip length. Spare Cassete Red, PN 603996-1	Cables diameters from 3mm to 5mm
603995-3	2 step cable stripper for UHF connectors and RG 6 & Beldon 8281. 12 mm outer jacket strip length. Spare Cassete Yellow, PN 603996-3	Cables diameters from 6.4mm to 7mm
947489-1	3 step cable stripper for Commercial BNC connectors and RG 58 / 59 / 62 cable. 7.5 mm outer jacket & 3.5 mm dielectric strip lengths. Spare Cassete Brown PN 947490-1	Cables diameters from 5mm to 6.5mm
603995-5	3 step cable stripper for Dual Crimp BNC connectors. 5.5 mm outer jacket & 5.5 mm dielectric strip lengths Spare Cassete Black PN 603996-4	
603995-6	3 step cable stripper for Dual Crimp Commercial BNC connectors and RG 174, 188 & 316 cable. 6.8 mm outer jacket & 2.5 mm dielectric strip lengths. Spare Cassete White PN 603996-5	Cable diameters from 2.5mm to 3mm

All options not always listed, please use our online search by terminal PN (where appropriate) to minimise cross-referencing errors, and contact us where information is unclear or missing as there may well be something available for your application.

Coax Cable Stripper

1490490-1

Features:

- 3 Blades designed to strip RG 6, 58 and 59 cable in one step
- Replaceable Blade Cartridges

Image representative of type only



Oden - Cable Stripper

2-1579002-4 - Stripping Tool

7-1579005-4 - Spare Blade

Image representative of type only

Features:

Outer Sheath Stripper suitable for most discrete, multicore and fibre optic cables

Fine adjustment is possible by a 10 position adjustment wheel

Replaceable Blade

Automatically adjusts to different cable diameters

Works on cable diameters up to 11mm

Ideal for Cat 5 & 6 cable



Cyclops - Cable Stripper

1375317-1

Features:

Outer Sheath Stripper

Automatically adjusts to different cable diameters

Works on cable diameters up to 11mm

Image representative of type only



Economy Wire Stripper & Cutter

1490491-1

Features:

Strips 0.2 - 6.0 mm² (24-10)

8 wire size adjustments

Image representative of type only



Tor - Rotary Cable Stripper

2-1579002-5 - Stripping Tool
Nato Stk No. 5110-99-5301839

Image representative of type only

7-1579005-5 - Spare Blade

Features:

Works on cables from 4.5 to 40 mm diameter
Circular + Straight Strip
Circular + Spiral Strip
Also window stripping possible
Replaceable blade
Lanyard fixing
Spare blade in handle cavity



Rotary Cable Stripper

606700-1

Image representative of type only

Features:

Works on cables up to 25 mm diameter
Circular + Straight Strip
Supplied with spare blade



Embla - Automatic Wire Stripper

For various insulation types

Features:

- Easily replaceable blade cassette
- V blade cassettes for difficult cable types
- Adjustable stripping length
- Ergonomic non-slip handles
- Built-in cutter, also with replaceable blades

Image representative of type only



Part Number	Description	mm ² (AWG) or other
2-1579002-3	most insulation types and includes: form blade Cassette 4 - 16 mm ² Spare Blade 7-1579005-3	4.0 - 16.0 (12-6)
2-1579002-2	PTFE, THHN & TTHW and includes: V blade Cassette 0.02 - 4 mm ² Spare Blade 7-1579005-2	0.2 - 4.0 (24-12)
2-1579002-1	Standard PVC and includes: parallel blade Cassette 0.02 - 10 mm ² Nato Stk No. 5110-99-7009177 Spare Blade 7-1579005-1	0.02 - 10.0 (24-8)

All options not always listed, please use our online search by terminal PN (where appropriate) to minimise cross-referencing errors, and contact us where information is unclear or missing as there may well be something available for your application.

Automatic Wire Stripper

734185-1

Features:

- Works on PVC, THHN and THHW cable 0.08 - 6.0 (28-10)
- Adjustable stripping length
- Ergonomic non-slip handles
- Built-in cutter

Image representative of type only



Die-cast Automatic Wire Stripper

1-1579002-2

Features:

- For PVC, THHN and THHW cable 0.08 - 6.0 mm² (28-10)
- Adjustable stripping length
- Non-slip handles
- Spare Blade 3-1579005-7

Image representative of type only



Part Number	Description	mm ² (AWG) or other
1-1579002-2	Complete tool with Blades	0.08 - 6.0 (28-10)

All options not always listed, please use our online search by terminal PN (where appropriate) to minimise cross-referencing errors, and contact us where information is unclear or missing as there may well be something available for your application.

Small Wire Cutters

1116571-1

Used primarily when lacing / installing the tool-less Mod Jack

Image representative of type only

Features:

- Cuts wire flush
- Spring loaded handles



KT 80 Cutting Tool

654061-1 - Ideal for cutting Ribbon Cable

Features:

- Clean undistorted cut
- Ribbon cable up to 64 conductors 0.5 mm² (20), 81.5 mm wide
- Replaceable Blade and Anvil
- Built-in Guide ensures square cut

Image representative of type only



Cable Tie Gun

734587-1 - for Cable Ties 2.2 - 4.8 mm and thickness up to 1.6 mm

Features:

- Automatic cut-off
- Adjustable tension setting

Image representative of type only



Non-impact Punch-down Tool

Tools without impact assist

Features:

- Rubber palm grip
- Blade Storage area in the side of the Tool
- Accepts all Twist & Lock Blades

Image representative of type only



Part Number	Description	mm ² (AWG) or other
1583236-3	Tool with 066 Blade	0.08 - 0.34 (28-23)
1583236-1	Tool with 110 Blade	0.08 - 0.34 (28-23)
1583236-2	Tool without blade	0.08 - 0.34 (28-23)

All options not always listed, please use our online search by terminal PN (where appropriate) to minimise cross-referencing errors, and contact us where information is unclear or missing as there may well be something available for your application.

Impact Punch-down Tool

Tools with impact assist

Features:

- Rubber palm grip
- Spare blade storage
- Adjustable Hi / Low impact setting
- Accepts all standard twist & Lock blades

Image representative of type only



Part Number	Description	mm ² (AWG) or other
1583608-3	Tool with 066 Blade	0.08 - 0.34 (28-23)
1583608-1	Tool with 110 Blade	0.08 - 0.34 (28-23)
1583608-2	Tool without Blade	0.08 - 0.34 (28-23)

All options not always listed, please use our online search by terminal PN (where appropriate) to minimise cross-referencing errors, and contact us where information is unclear or missing as there may well be something available for your application.

Premium Impact Punch-down Tool

Tools with impact assist

Features:

- Integral spot light
- Non-slip cushioned grip
- Pick hook and spudger
- Spare blade storage
- Adjustable impact force
- Accepts all standard twist & Lock blades

Image representative of type only



Part Number	Description	mm ² (AWG) or other
1375308-4	Tool with 066 / 110 Blade 1375310-1 Spare 066 / 110 Blade	0.08 - 0.34 (28-23)
1375308-3	Tool with 066 Blade 1725872-1 Spare 066 Blade	0.08 - 0.34 (28-23)
1375308-1	Tool with 110 Blade 1375309-1 Spare 110 Blade	0.08 - 0.34 (28-23)
1375308-2	Tool without Blade	0.08 - 0.34 (28-23)

All options not always listed, please use our online search by terminal PN (where appropriate) to minimise cross-referencing errors, and contact us where information is unclear or missing as there may well be something available for your application.

Mod Jack Tool

Tool & Lacing Fixture combinations for rear entry cable Jacks.

Image representative of type only

Features:

Built-in cable stripper
 Terminates and cuts all conductors in one go
 Very small breakouts can be achieved
 Comes in a convenient Draw-string Pouch

Can be used on CAT 3 , 5 & 6 cable with:
 Rear cable entry 110 SL Series Jacks
 Rear cable entry AMP TWIST 6S SL Jacks



Part Number	Description	mm ² (AWG) or other
1725150-3	Base tool & Pouch for rear cable entry AMP TWIST 6S SL series Jacks. NO Lacing Fixture required	0.2 (24) stranded 0.2-0.4 (24-22) solid
1725150-1	Base tool, Pouch & Lacing Fixture 1673956-1 for rear cable entry 110 SL series Jacks	0.2 (24) stranded 0.2-0.4 (24-22) solid
1673956-1	Lacing Fixture for rear cable entry 110 SL series Jacks. Use in Base Tool & Pouch 1725150-3	0.2 (24) stranded 0.2-0.4 (24-22) solid

All options not always listed, please use our online search by terminal PN (where appropriate) to minimise cross-referencing errors, and contact us where information is unclear or missing as there may well be something available for your application.

Professional Hand Tool

2-231652 - Base Tool without Die-set

Image representative of type only

Features:

Interchangeable Dies for all but 10 posn. plugs

Terminates both strain reliefs and inserts contacts in one motion

Ratchet mechanism ensures complete crimp cycle

Cuts, strips and terminates

Compatible with many other leading brand products

AMP plugs are UL approved when terminated using this tool



Part Number	Description	mm ² (AWG) or other
2-231652-1	Complete tool for MODULAR PLUG connectors	8 Posn Long Body
2-231652-3	Complete tool for MODULAR PLUG connectors	4 Posn Hand-set
2-231652-8	Complete tool for MODULAR PLUG connectors	4 & 6 Posn Line
3-231652-0	Complete tool for MODULAR PLUG connectors CAT 5 Cable	8 Posn High Performance
2-231652-6	Complete tool for MODULAR PLUG connectors Flat oval & Round - Solid and Stranded	6 Position off-set
2-231652-7	Complete tool for MODULAR PLUG connectors Flat oval & Round - Solid or Stranded	6 posn Long Body
1-853400-0	Die-set for MODULAR PLUG connectors - CAT 5 cable Use in Hand Tool Frame 2-231652 or Economy Tool 1490496-1	8 Posn High Performance
853400-6	Die-set for MODULAR PLUG connectors - Flat oval & Round - Solid or Stranded Use in Hand Tool Frame 2-231652 or Economy Tool 1490496-1	6 Posn off-set
853400-7	Die-set for MODULAR PLUG connectors - Flat oval & Round - Solid or Stranded Use in Hand Tool Frame 2-231652 or Economy Tool 1490496-1	6 Posn Long Body
853400-1	Die-set for MODULAR PLUG connectors Use in Hand Tool Frame 2-231652 or Economy Tool 1490496-1	8 Posn Long Body
853400-3	Die-set for MODULAR PLUG connectors Use in Hand Tool Frame 2-231652 or Economy Tool 1490496-1	4 Posn Hand-set
853400-8	Die-set for MODULAR PLUG connectors Use in Hand Tool Frame 2-231652 or Economy Tool 1490496-1	4 & 6 Posn Line

All options not always listed, please use our online search by terminal PN (where appropriate) to minimise cross-referencing errors, and contact us where information is unclear or missing as there may well be something available for your application.

Crimping Kit for Modular Plugs

Features:

- 2-231652 Professional hand Tool
- 231662-1 Blade Replacement Kit
- Screw Driver
- Rhobust plastic Carry Case
- Dies for specified Plug types

Image representative of type only



Part Number	Description	mm ² (AWG) or other
1-231666-3	Professional Kit for Shielded & Non-shielded Plugs	4, 6 & 8 Posn. Line 6 Posn. Long Body 4 Posn. Telephone Plug
1-231666-0	Standard Kit for Shielded & Non-shielded Plugs	4, 6 & 8 Posn. Line
1-231666-1	Standard Kit for Shielded & Non-shielded Plugs	4-6, 8 Posn. 4 Posn. Handset

All options not always listed, please use our online search by terminal PN (where appropriate) to minimise cross-referencing errors, and contact us where information is unclear or missing as there may well be something available for your application.

Tone Generator

1490531-1

1673606-1 - includes 1490531-1 plus Tone Tracer 1490533-1 in handy Two Pocket Pouch *Image representative of type only*

Features:

- Three built-in tones
- Auto off
- Separate talk battery for increased voltage and power for test sets
- Modular Jack allows multiple cord sets to be used for different applications



Tone Tracer

1490533-1

1673606-1 - includes 1490533-1 plus Tone Generator 1490531-1 in handy Two Pocket Pouch

Image representative of type only

Features:

Detection without direct cable or wire contact
Ergonomically shaped
Can be used with any Tone Generator
Replacement quick change tips available



4-Pair Tester

1490530-1

Features:

Tests for opens, shorts, mis-wires, reversals and split pairs
Auto on/off
Battery low indicator

Image representative of type only



Butt Set

1490532-1

Features:

LCD Display shows; on-hook voltage, number dialled, off-hook current, called ID, stored numbers etc.
Tone and pulse dialling
Modular cord set attachment
Auto off

Image representative of type only



SUPER CHAMP II

Tools for service & repair

Features:

Made from high quality special steel for long life
Fitted with plastic comfort handles

Image representative of type only



Part Number	Description	mm ² (AWG) or other
169111-1	Open Barrel Terminals 'F' crimp Crimp widths; 2.2, 2.4, 2.8, 3.2, 3.8 & 4.8 mm Wire strippers for 0.5-0.75, 1.0, 1.5, 2.5, 4 & 6 mm	0.4 - 6.0 (22-10)
169060-8	PIDG, PLASTIGRIP - All Types Bolt cutters for 3, 3.5, 4 & 5 mm bolts Wire strippers for 0.5-0.75, 1.0, 1.5, 2.5, 4 & 6 mm	0.26 - 6.6 (22-10)

All options not always listed, please use our online search by terminal PN (where appropriate) to minimise cross-referencing errors, and contact us where information is unclear or missing as there may well be something available for your application.

SUPER CHAMP FT

720781-3 - for service & repair with Bulkhead Series and PIDG & PLASTIGRIP Terminals

Image representative of type only

Features:

Made from high quality special steel for long life
Fitted with plastic comfort handles

Bulkhead Series Terminals

0.3 mm²
0.5 - 0.85 mm²
1.25 - 2.0 mm²

PIDG & PLASTIGRIP

RBV 0.5 - 6mm² (22-10)
General wire strippers



CRIMPAC CG

734372-1 - Base Tool without dies

Image representative of type only

Features:

- Toggle lever handle force adjuster with quick release
- Cable cutting device 0.5 - 6 mm² (21-10)
- Wire stripping device 0.5 - 6 mm² (21-10)



Part Number	Description	mm ² (AWG) or other
825508-5	Complete tool for PIDG & PLASTIGRIP Terminals	0.5 - 6.0 (21-10)
734481-1	Die-set for PIDG, PLASTIGRIP - All Types Use in Hand Tool Frame 734372-1	0.6 - 6.0 (21-10)

All options not always listed, please use our online search by terminal PN (where appropriate) to minimise cross-referencing errors, and contact us where information is unclear or missing as there may well be something available for your application.

Die-set - SDE for Fibre Optic Connectors

SDE Dies allow Hand or Powered options

Features:

- Use in:
- SDE PRO-CRIMPER III Hand Tool 354940-1
- SDE PEW 12 Hand Tool 9-1478240-0
- SDE DA Hand Tool 1213745-1
- SDE BATTERY TOOL (Kit) 1725837-2 for shoulder dies
- SDE 626 Head 679304-1 + accessories
- SDE Electric Terminator 1490076-2
- SDE Bench Press Adapter 1579000-8 + Press 1481004-7

Image representative of type only



Part Number	Description	mm ² (AWG) or other
91900-1	LFR Fibre optic	

All options not always listed, please use our online search by terminal PN (where appropriate) to minimise cross-referencing errors, and contact us where information is unclear or missing as there may well be something available for your application.

Fibre Cleaver - S 315

492674-1

Image representative of type only

Features:

- Long life Ceramic Blade - over 6,000 cuts
- 90° at <1°, and 99% at <2°
- Suitable for single and multimode fibres
- Carry case included



Fibre Cleaver - Universal

503924-1

Features:

For all Cut & Break applications
Cutter life: circa 40,000 cleaves

Image representative of type only



Dual Purpose Butterfly Tool

Mass termination tool for AMP CHAMP products

Features:

Mass terminates and shears all wires in a single action
Can be fixed by screws to a bench
Supplied in a carrying case

Image representative of type only



Part Number	Description	mm ² (AWG) or other
1424624-1	BT version for AMP CHAMP	50 Posn
2-229378-5	GB version for AMP CHAMP	50 Posn
229378-1	Standard tool for AMP CHAMP	14, 24, 36 & 50 Posn
231880-1	Standard tool for AMP CHAMP	64 Posn

All options not always listed, please use our online search by terminal PN (where appropriate) to minimise cross-referencing errors, and contact us where information is unclear or missing as there may well be something available for your application.

AF8

601967-1 - Base Tool without Turret

Features:

4/8 indent Crimp to Military standard M22520/1-01
 Ratchet mechanism ensures complete crimp cycle
 8 Position Dial select Indent Depth control
 Many Turrets available
 Ergonomic non-slip handles

Image representative of type only

Part Number	Description	mm ² (AWG) or other
601967-3	Turret TH163 [M22520/1-04] Use with Hand Tool 601967-1	0.2 - 4.0 (24-12)
601967-2	Turret TH1A [M22520/1-02] Use with hand tool 601967-1	0.2 - 4.0 (24-12)
523168-5	Turret TH493T for HN D contacts. Use with Hand tool 601967-1	0.14 - 2.5 (26-14)
1-601967-5	Turret TH501 for Type II contacts Use with hand tool 601967-1	0.03 - 2.5 (32-14)
1-601967-6	Turret TH502 for Type II contacts Use with hand tool 601967-1	0.03 - 2.5 (32-14)
523168-6	Turret TH531T for HE HA contacts. Use with Hand tool 601967-1	0.14 - 4.0 (26-12)
523168-7	Turret TP957T for HS K contacts. Use with Hand tool 601967-1	1.5 - 10.0 (16-8)

All options not always listed, please use our online search by terminal PN (where appropriate) to minimise cross-referencing errors, and contact us where information is unclear or missing as there may well be something available for your application.

AFM8

601966-1 - Base Tool without Positioner

Features:

4/8 indent Crimp to Military standard M22520/2-01
 Ratchet mechanism ensures complete crimp cycle
 8 Position Dial select Indent Depth control
 Many Positioners available
 Ergonomic non-slip handles

Image representative of type only

Part Number	Description	mm ² (AWG) or other
966254-1	Positioner for Coaxicon MCX Straight Plugs	
1579003-1	Positioner for TRIAD-01 Use in Hand tool 601966-1	
601966-4	Positioner K 41 [M22520/2-06] Use in Hand tool 601966-1	0.4 - 0.3 (22-28)
601966-6	Positioner K 42 [M22520/2-09] Use in Hand tool 601966-1	0.4 - 0.3 (22-28)
601966-5	Positioner K13-1 [M22520/2-08] Use in Hand tool 601966-1	0.56 (20)
601966-2	Positioner K1S [M22520/2-02] for TERMI-BLOCK contact. Use with Hand Tool 601966-1	0.6 - 0.15 (20-26)
601966-8	Positioner K267 [MIL-C 22520/2-23] for ARINC Contacts Use in Hand tool 601966-1	0.12 - 0.4 (26-22)

All options not always listed, please use our online search by terminal PN (where appropriate) to minimise cross-referencing errors, and contact us where information is unclear or missing as there may well be something available for your application.

FT8

608668-1 - Base Tool without Positioner

Features:

4/8 indent Crimp
 Ratchet mechanism ensures complete crimp cycle
 8 Position Dial select Indent Depth control
 Many Positioners available
 Ergonomic non-slip handles

Image representative of type only

Part Number	Description	mm ² (AWG) or other
608668-2	Positioner TP 731 Use with Hand Tool 608668-1	1.0 - 1.5 (18-16)

All options not always listed, please use our online search by terminal PN (where appropriate) to minimise cross-referencing errors, and contact us where information is unclear or missing as there may well be something available for your application.

M300 BT

608651-1 - Base Tool without Positioner

Image representative of type only

Features:

- 4/8 indent Crimp
- Ratchet mechanism ensures complete crimp cycle
- 8 Position Dial select Indent Depth control
- Ergonomic non-slip handles



Part Number	Description	mm ² (AWG) or other
608651-2	Positioner TP1151 Use with Hand Tool 608651-1	2.5 - 10.0 (14-8)

All options not always listed, please use our online search by terminal PN (where appropriate) to minimise cross-referencing errors, and contact us where information is unclear or missing as there may well be something available for your application.

M310

356114-1 - Base Tool without Positioner

Image representative of type only

Features:

- 4/8 indent Crimp
- Ratchet mechanism ensures complete crimp cycle
- 8 Position Dial select Indent Depth control
- Ergonomic non-slip handles



Part Number	Description	mm ² (AWG) or other
356337-1	Positioner TP1013 use with Hand tool 356114-1	2.5 - 6.0 (14-10)

All options not always listed, please use our online search by terminal PN (where appropriate) to minimise cross-referencing errors, and contact us where information is unclear or missing as there may well be something available for your application.

Ampliset repair Kit

725972 - AMPLISET Repair Kit

Features:

- 1-off Superchamp II hand tool
- A small quantity of 21 of the most common pre-insulated terminals and splices
- Packaged in a compact plastic wallet

For more detail please see information flyer 1308204

Image representative of type only



Service Kit 1

725922 - An ideal Service Kit for the electrician

Features:

- 1-off Superchamp II hand tool
- A reasonable quantity of 18 of the most common pre-insulated terminals and splices
- Packaged in a hard plastic snap-shut case

For more detail please see information flyer 1308204

Image representative of type only



110 SL Starter Kit

Features:

- A strong all purpose Carry Case
- 110 SL Jack Termination Tool Kit 1725150-1
- 25 Cat6 Jacks
- Instruction Sheet 411-18323
- CD-Rom with videos showing step-by-step cable termination & printable instructions

Image representative of type only



Part Number	Description	mm ² (AWG) or other
2-1579010-7	Starter Kit supplied with Shielded Jacks 1375188	0.2 (24) stranded 0.2-0.4 (24-22) solid
2-1579010-6	Starter Kit supplied with Unshielded Jacks 1375055	0.2 (24) stranded 0.2-0.4 (24-22) solid

All options not always listed, please use our online search by terminal PN (where appropriate) to minimise cross-referencing errors, and contact us where information is unclear or missing as there may well be something available for your application.

110 SL & AMP TWIST 6S SL Installers Kit

2-1579010-1 Suitable for Installation, Service and Repair

Features:

A strong all purpose Carry Case
 SL110 Jack Termination Tool Kit 1725150-1
 Premium Impact Tool 1375308-1
 Cable Stripper 2-1579002-4
 4-Pair Cable tester 1490530-1
 Palm Tool 569949-1
 Wire Cutters 1116571-1
 Cross-head & Flat-bladed Screwdrivers
 Instruction Sheet 411-18323
 CD-Rom with videos showing step-by-step cable termination & printable instructions

Image representative of type only



Pistol Grip tool kit for 2mm FB + HM

1490375-1 for Shielded 2mm FB connectors

Features:

Pistol Grip hand tool
 Module feed tracks 2 x 4 posn. & 2 x 5 posn.
 Bench clamp, cable support bar & brush
 Hex. Keys; 1.5, 2.5, 3 & 4mm
 Durable plastic carry case with foam insert
 All you need to apply 2mm FB connectors

Image representative of type only



Pistol Grip Kit for RV-100

528405-7 for RV-100 23 Posn single and double row connectors

Features:

Pistol Grip Hand Tool
 Module feed tracks 3x23 pos.
 Bench clamp, Cable Holder, Press-in Tool TS, Setting Gauge
 Brush, Extraction Tool, Hex Keys; 1.5, 2.5 & 5mm & Screwdriver
 Durable plastic carry case with foam insert
 Connectors for Repair Set PN 827788-3 and PN 827788-4
 All you need to apply RV-100 connectors (2.54 mm pitch)

Image representative of type only



10 Pair Splicing Kit

A range of specialist kits for 10 Pair AMP STACK applications

Features:

Quick and easy one action termination
 Splicing Head has many positioning options
 Applies AMP STACK 10 pair MkIV modules and compatible connectors:
 Straight Splicing, Pluggable or Half-tap
 Dry or Sealed

Image representative of type only



Part Number	Description	mm ² (AWG) or other
1-790112-1	Comprises; Carry Case, Hand Tool, Splicing Head, Check Combe and Single Point Insertion Tool	0.4 - 0.9 (26-19)
1-790112-3	Comprises; Carry Case, Hand Tool, Splicing Head, Check Combe, Single Point Insertion Tool and 10 Pair Clamp Bar	0.4 - 0.9 (26-19)
1-790112-2	Comprises; Carry Case, Hand Tool, Splicing Head, Check Combe, Single Point Insertion Tool and Electrical Tester	0.4 - 0.9 (26-19)
1-790112-4	Comprises; Carry Case, Hand Tool, Splicing Head, Check Combe, Single Point Insertion Tool, 10 Pair Clamp Bar and Electrical Tester	0.4 - 0.9 (26-19)
790112-1	GB restricted British Telecom special Comprises; Carry Case, Hand Tool, Splicing Head, Check Combe and Single Point Insertion Tool	0.4 - 0.9 (26-19)
790112-3	GB restricted to British Telecom Comprises; Carry Case, Hand Tool, Splicing Head, Check Combe, Single Point Insertion Tool and 10 Pair Clamp Bar	0.4 - 0.9 (26-19)
790112-2	GB restricted to British Telecom Comprises; Carry Case, Hand Tool, Splicing Head, Check Combe, Single Point Insertion Tool and Electrical Tester	0.4 - 0.9 (26-19)
790112-4	GB restricted to British Telecom Comprises; Carry Case, Hand Tool, Splicing Head, Check Combe, Single Point Insertion Tool, 10 Pair Clamp Bar and Electrical Tester	0.4 - 0.9 (26-19)
1-790112-5	Standard Commercial Kit Comprises; Carry Case, Hand Tool, Splicing Head, Check Combe, Single Point Insertion Tool, Electrical Tester, Instruction Sheet	0.4 - 0.9 (26-19)
790142-1	Universal Kit Comprises; Carry Case, Hand Tool, Single Point Insertion Tool, Splicing Head, Electrical Tester, Sparating Tool and Check Combe	0.4 - 0.9 (26-19)

All options not always listed, please use our online search by terminal PN (where appropriate) to minimise cross-referencing errors, and contact us where information is unclear or missing as there may well be something available for your application.

25 Pair Splicing Kit

A range of specialist kits for 25 Pair AMP STACK applications

Features:

Quick and easy one action termination
 Splicing Head has many positioning options
 Applies AMP STACK 25 pair Mk III modules and compatible connectors:
 Straight Splicing, Pluggable or Half-tap
 Dry or Sealed
 A two position latch feature allows for any combination of module to be terminated

Image representative of type only



Part Number	Description	mm ² (AWG) or other
790131-1	GB Special for British Telecom Comprises; Carry Case, Hand Tool, Splicing Head, T-Pedestal, Check Combe and Single Point Insertion Tool	0.32 - 0.8 (28-20)
790131-2	GB Special for British Telecom Comprises; Carry Case, Hand Tool, Splicing Head, T-Pedestal, Check Combe, Single Point Insertion Tool, Single Pair Tester and Single Point Separating Tool	0.32 - 0.8 (28-20)
790131-3	Standard Commercial Kit Comprises; Carry Case, Hand Tool, Single Point Insertion Tool, Splicing Head, Electrical Tester, T-Pedestal and Check Combe	0.32 - 0.8 (28-20)

All options not always listed, please use our online search by terminal PN (where appropriate) to minimise cross-referencing errors, and contact us where information is unclear or missing as there may well be something available for your application.

Crimping Pliers

TELSPLICE

Features:

Shut height stop prevents over-crimping
 Rounded nose won't snag on wires
 Built-in wire cutter

Image representative of type only



Part Number	Description	mm ² (AWG) or other
231839-1	all TELSPLICE products - passive Jaws	0.4 - 0.9 (22-19)
790162-1	all TELSPLICE products - sprung-open Jaws	0.4 - 0.9 (22-19)

All options not always listed, please use our online search by terminal PN (where appropriate) to minimise cross-referencing errors, and contact us where information is unclear or missing as there may well be something available for your application.

Double Point Electrical Tester

790106-1 - A specifically designed probe acting as an interface between the applied product and test equipment and to prevent damage to the connector

Image representative of type only

Features:

A plug-on test probe

Can be used held in position or clipped in position



Single Point Insertion Tool

224290-1 Repair tool for use with AMP STACK1 0 & 25 Pair Modules

Image representative of type only

Features:

Comfortable moulded handle

Moulded-in metal insert for long life



Part Number	Description	mm ² (AWG) or other
224290-1	Not to be supplied to BritishTelecom	0.3 - 0.9 (28-19)
790172-1	Prefered by British Telecom over 224290-1	0.3 - 0.9 (28-19)

All options not always listed, please use our online search by terminal PN (where appropriate) to minimise cross-referencing errors, and contact us where information is unclear or missing as there may well be something available for your application.

10 Pair Separator Tool

790104-1 - Designed to separate AMP STACK pluggable modules

Image representative of type only

Features:

Robust pressed steel design

One action separation



Check Combe, 10 pair

356073-1 - visual aid used in AMP STACK modular jointing applications to check wire colour positioning

Image representative of type only

Features:

Simple durable moulded design



Check Combe, 25 pair

224517-1 - visual aid used in AMP STACK modular jointing applications to check wire colour positioning

Image representative of type only

Features:

Simple durable moulded design



Single Point Separator Tool

790141-1 - Designed to separate AMP STACK 10 or 25 pair pluggable modules

Image representative of type only

Features:

Does the same job as 790104-1 but in a progressive way
Sprung open jaws aid separation



Splicing Head, 10 Pair with Pedestal Bar, 10 Pair

1-790114-1 - for AMP STACK Mk IV 10 Pair applications

Features:

- Snug fit product location
- Wire combs for wire guidance and separation
- Spring clamping to hold
- Compact pedestal bar mounting

Image representative of type only



Splicing Head, 10 Pair

1-790114-2 - for AMP STACK Mk IV 10 Pair applications

Features:

- Snug fit product location
- Wire combs for wire guidance and separation
- Spring clamping to hold

Image representative of type only



Splicing Head, 25 Pair

224636-1 - for AMP STACK Mk III 25 Pair applications

Features:

- Snug fit product location
- Wire combs for wire guidance and separation
- Spring clamping to hold

Image representative of type only

